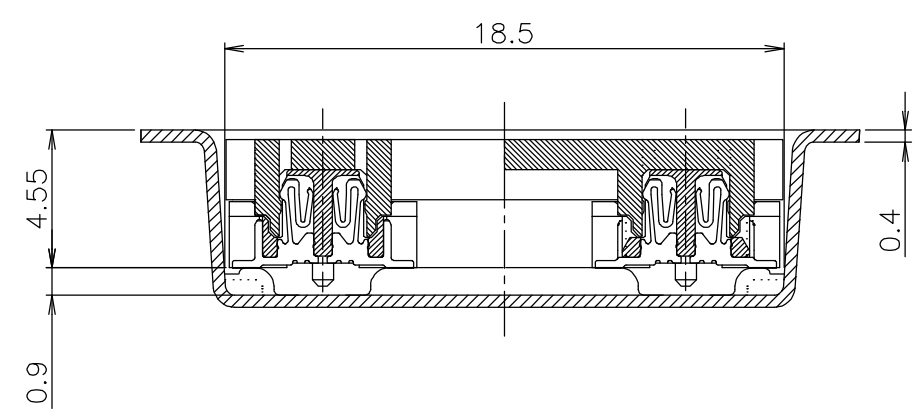
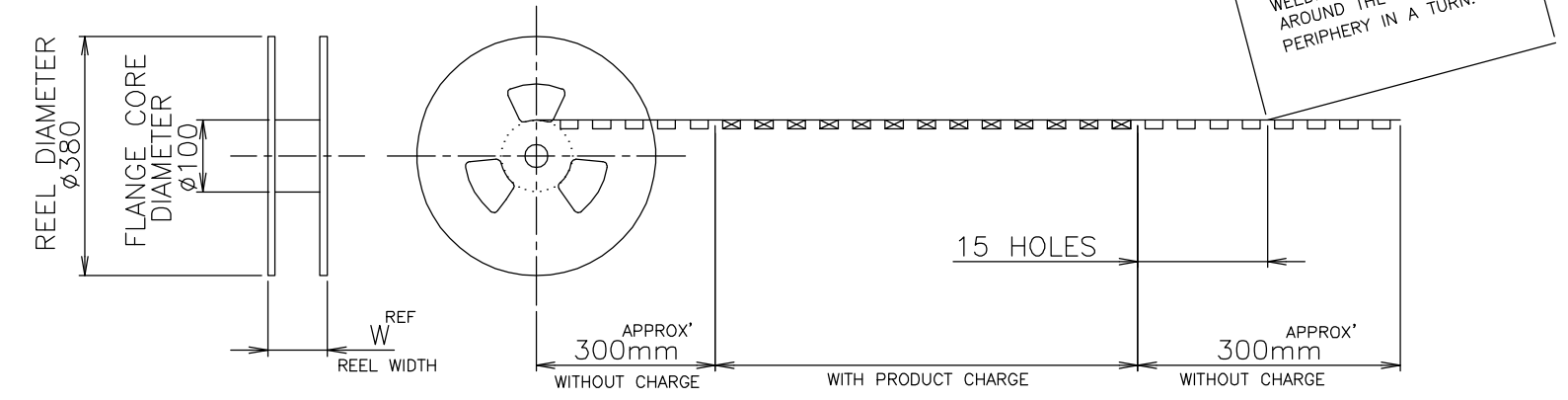
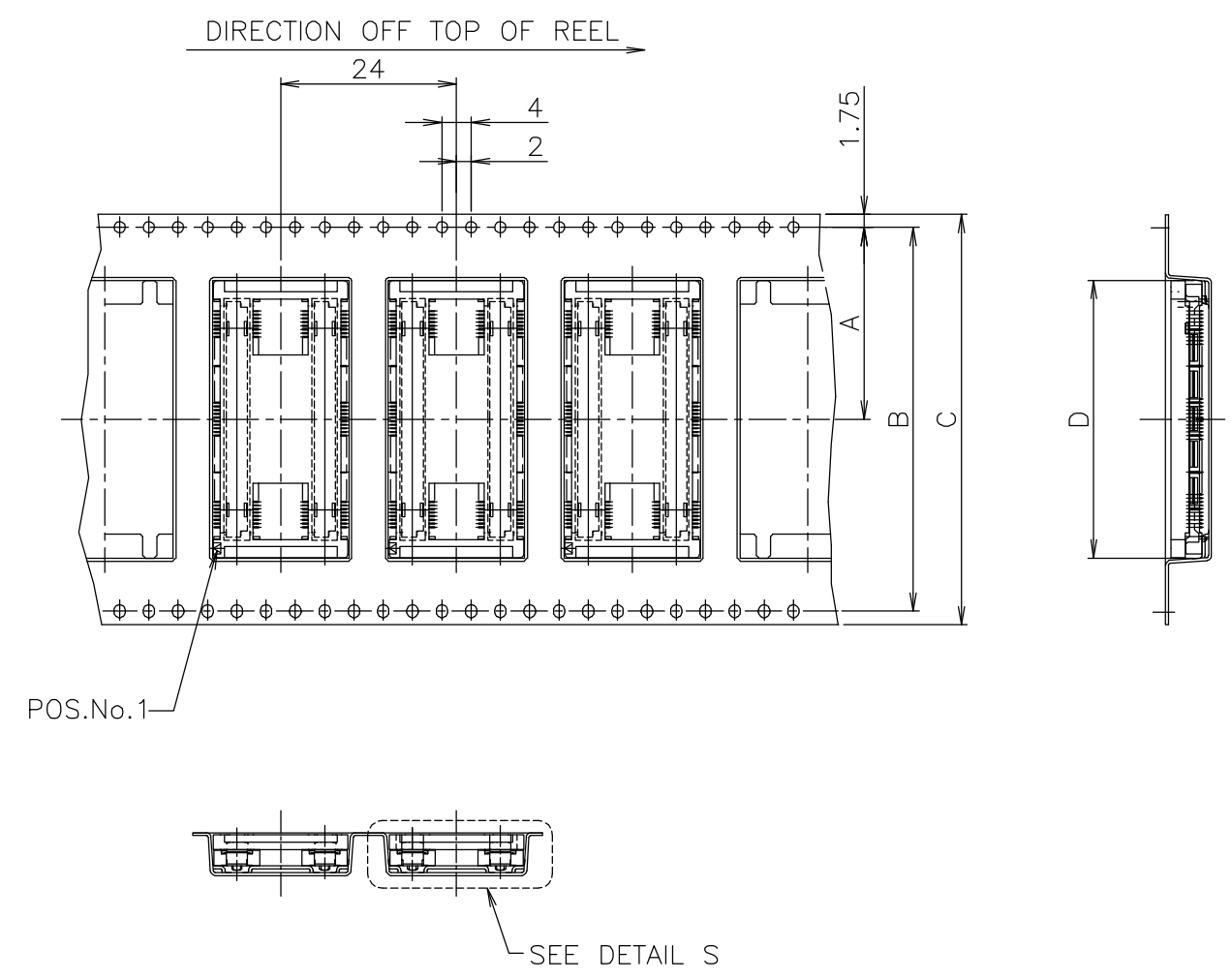


THIS DRAWING IS UNPUBLISHED. RELEASED FOR PUBLICATION MAR , 1999.
 © COPYRIGHT 1999 BY TYCO ELECTRONICS CORPORATION. ALL RIGHTS RESERVED.

LOC	DIST	REVISIONS			
P	LTR	DESCRIPTION	DATE	DWN	APVD
J	/	A	RELEASED	12OCT05	D.L H.K



DETAIL S
(SCALE 4:1)

COLOR:NATURAL CONNECTOR +BLACK CAP		SIF	Y	600	64.5	37.93	56	52.4	26.2	120X2=240	9-6123675-9
HSG COLOR: BLACK	SIF COATING	N				42.93				140X2=280	
		Y			64.5	37.93	56	52.4	26.2	120X2=240	7-6123675-9
	NON SIF	N		600	52.5	32.93	44	40.4	20.2	100X2=200	
		Y				64.5	37.93	56	52.4	26.2	120X2=240
HSG COLOR: NATURAL	SIF COATING	N				42.93				140X2=280	
		Y			64.5	37.93	56	52.4	26.2	120X2=240	5-6123675-9
	NON SIF	N		600	52.5	32.93	44	40.4	20.2	100X2=200	
		Y				64.5	37.93	56	52.4	26.2	120X2=240
		N		600	52.5	32.93	44	40.4	20.2	100X2=200	

THIS DRAWING IS A CONTROLLED DOCUMENT.		DWN D.LIU	12OCT05	Tyco Electronics AMP K.K. Kawasaki,Japan	
DIMENSIONS: MM		CHK T.FUTATSUGI	12OCT05		
TOLERANCES UNLESS OTHERWISE SPECIFIED:		APVD W.KODAMA	12OCT05	NAME	
0 PLC ± 0.3 1 PLC ± 0.3 2 PLC ± 0.3 3 PLC ± 0.3 4 PLC ± 0.3 ANGLES ± 3°		PRODUCT SPEC 108-5560		EMBOSS ASSY FH 0.5BTB CONNECTOR REC 4H W/ G-CONT. AND 2 ROW CAP	
MATERIAL		APPLICATION SPEC		SIZE	CAGE CODE
FINISH		WEIGHT		A3	00779
				DRAWING NO C-6123675	
CUSTOMER DRAWING				RESTRICTED TO	
SCALE 1:2				SHEET 1 OF 5	REV A

4

3

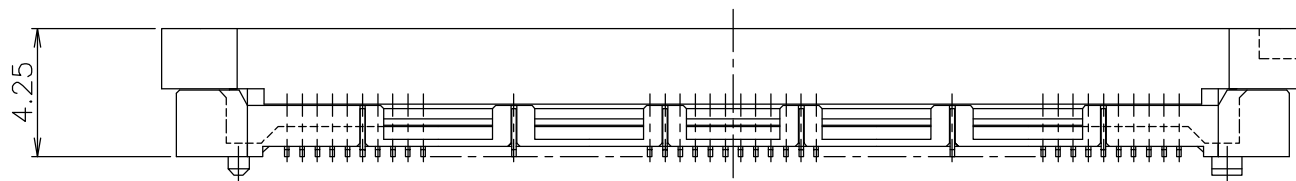
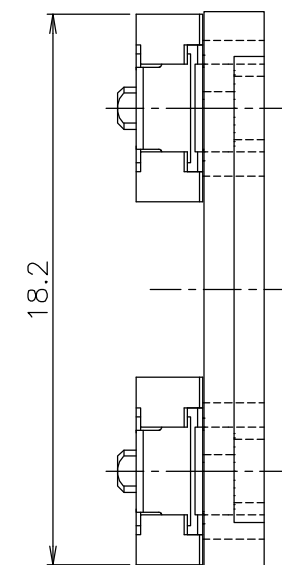
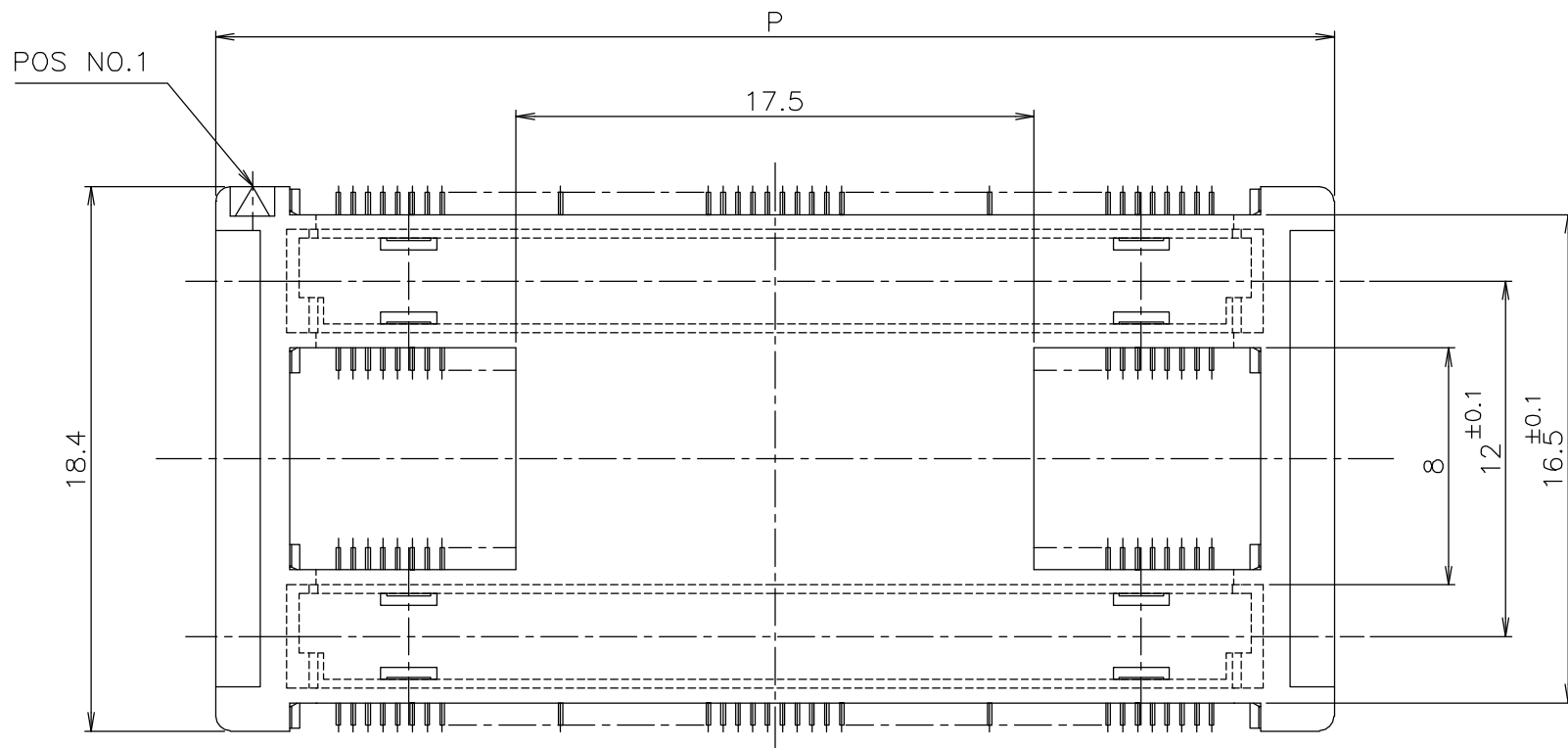
2

1

THIS DRAWING IS UNPUBLISHED. RELEASED FOR PUBLICATION MAR , 1999.

© COPYRIGHT 1999 BY TYCO ELECTRONICS CORPORATION. ALL RIGHTS RESERVED.

LOC	DIST	REVISIONS			
P	LTR	DESCRIPTION	DATE	DWN	APVD
		SEE SHEET 1	-	-	-



NOTES

- ① MATERIAL ; HOUSING : HIGH TEMP THERMO PLASTIC UL94V-0
CONTACT : COPPER ALLOY
- ② FINISH ; SIGNAL CONTACT : UNDER PL Ni
0.0013mm MIN ALL OVER.
CONTACT AREA
0.0002mm MIN Au PL.
SOLDERING AREA
0.00005mm MIN Au PL.
GROUND CONTACT : UNDER PL Ni
0.0013mm MIN ALL OVER.
CONTACT AREA
0.0002mm MIN Au PL.
SOLDERING AREA
0.001mm MIN TIN PL.
SOLDER PEG : 0.001mm MIN
TIN PL. OVER
0.0013mm MIN
Ni PL ALL OVER.
- ③ THIS POSITION IS GROUND CIRCUIT.
- ④ THIS PRODUCT WAS COATED BY ANTI- FLUX
-PENETRATION AGENT.
- ⑤ NO. OF CIRCUIT (DEPEND ON CONNECTOR POS).

42.8	140X2=280
37.8	120X2=240
32.8	100X2=200
P	2 ROW TOTAL POS

THIS DRAWING IS A CONTROLLED DOCUMENT.		DWN		Tyco Electronics AMP K.K. Kawasaki, Japan	
DIMENSIONS: MM		CHK			
TOLERANCES UNLESS OTHERWISE SPECIFIED:		APVD		NAME	
0 PLC ± -		PRODUCT SPEC		EMBOSS ASSY	
1 PLC ± -		APPLICATION SPEC		FH 0.5BTB CONNECTOR REC 4H	
2 PLC ± -		WEIGHT		W/ G-CONT. AND 2 ROW CAP	
3 PLC ± -		SIZE		A3	
4 PLC ± -		CAGE CODE		00779	
ANGLES ± -		DRAWING NO		C-6123675	
FINISH		RESTRICTED TO			
MATERIAL		CUSTOMER DRAWING		SCALE 4:1	
		SHEET 2 OF 5		REV A	

4

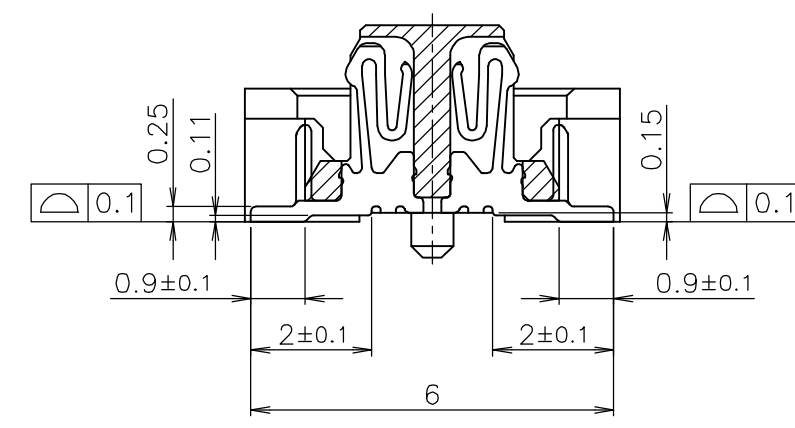
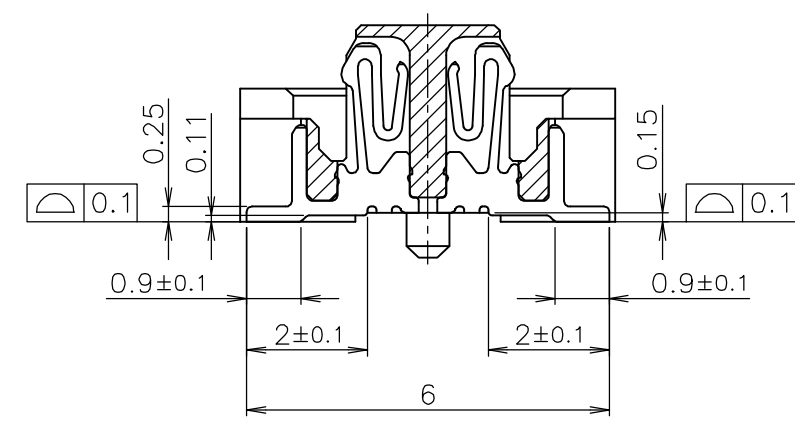
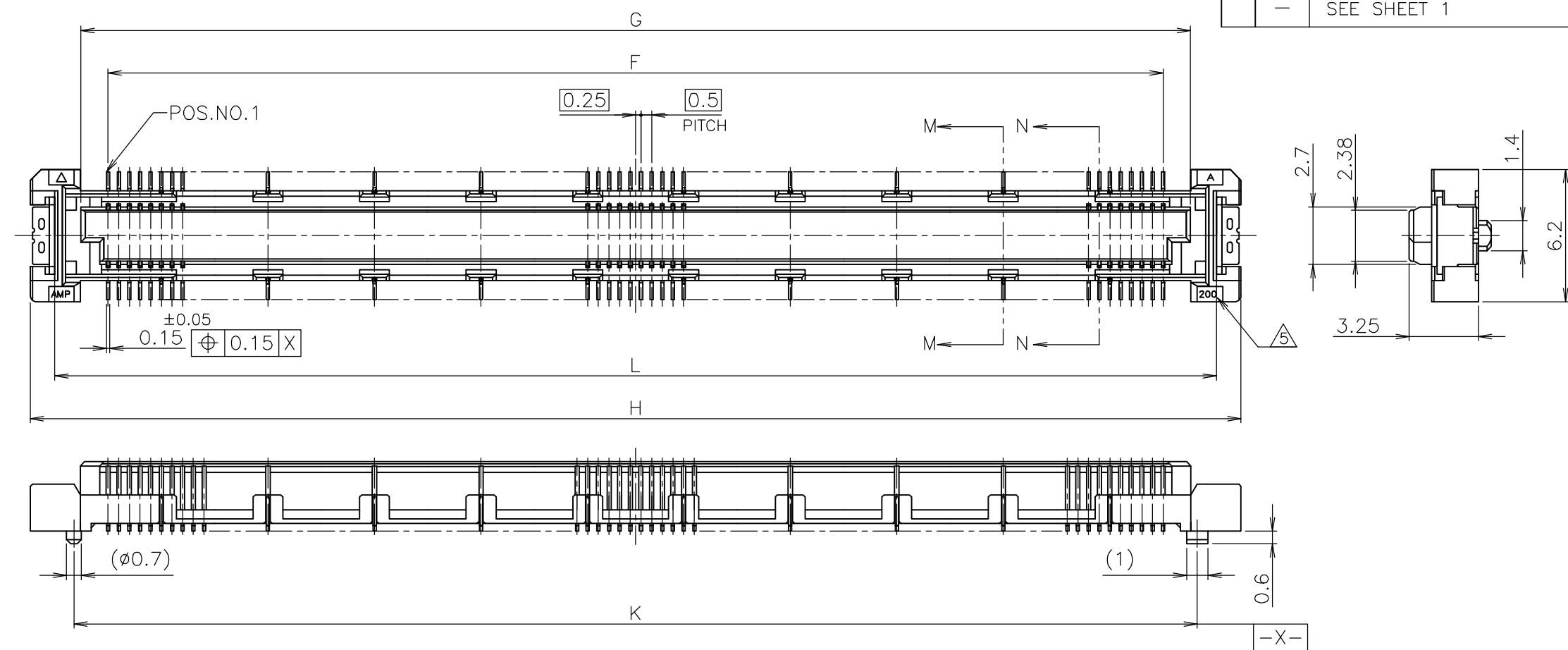
3

2

1

THIS DRAWING IS UNPUBLISHED. RELEASED FOR PUBLICATION MAR , 1999.
 © COPYRIGHT 1999 BY TYCO ELECTRONICS CORPORATION. ALL RIGHTS RESERVED.

LOC	DIST	REVISIONS					
J	/	P	LTR	DESCRIPTION	DATE	DWN	APVD
		-		SEE SHEET 1	-	-	-



39.5	37.7	41.8	37.1	34.5	140
34.5	32.7	36.8	32.1	29.5	120
29.5	27.7	31.8	27.1	24.5	100
L	K	H	G	F	POS.

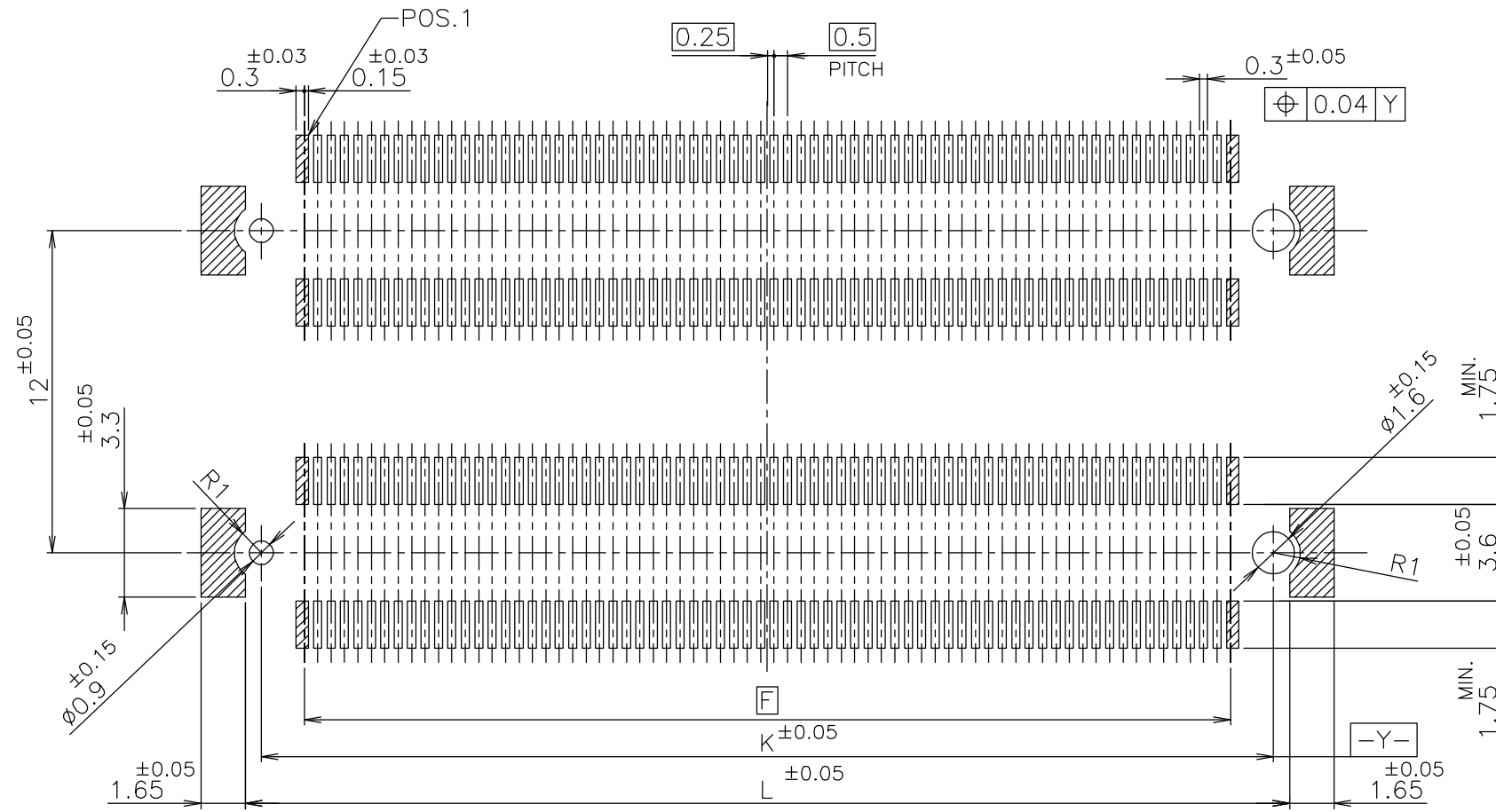
THIS DRAWING IS A CONTROLLED DOCUMENT.		DWN	Tyco Electronics AMP K.K. Kawasaki, Japan		
DIMENSIONS: MM		CHK			
TOLERANCES UNLESS OTHERWISE SPECIFIED:		APVD	NAME		
0 PLC ± -		PRODUCT SPEC	EMBOSS ASSY		
1 PLC ± -		APPLICATION SPEC	FH 0.5BTB CONNECTOR REC 4H		
2 PLC ± -		WEIGHT	SIZE	CAGE CODE	DRAWING NO
3 PLC ± -		CUSTOMER DRAWING	A3	00779	C-6123675
4 PLC ± -			SCALE	SHEET	OF
ANGLES ± -			4:1	3	5
FINISH ± -					A

THIS DRAWING IS UNPUBLISHED.

RELEASED FOR PUBLICATION MAR, 1999.

© COPYRIGHT 1999 BY TYCO ELECTRONICS CORPORATION. ALL RIGHTS RESERVED.

LOC J	DIST /	REVISIONS			
P	LTR	DESCRIPTION	DATE	DWN	APVD
	-	SEE SHEET 1	-	-	-

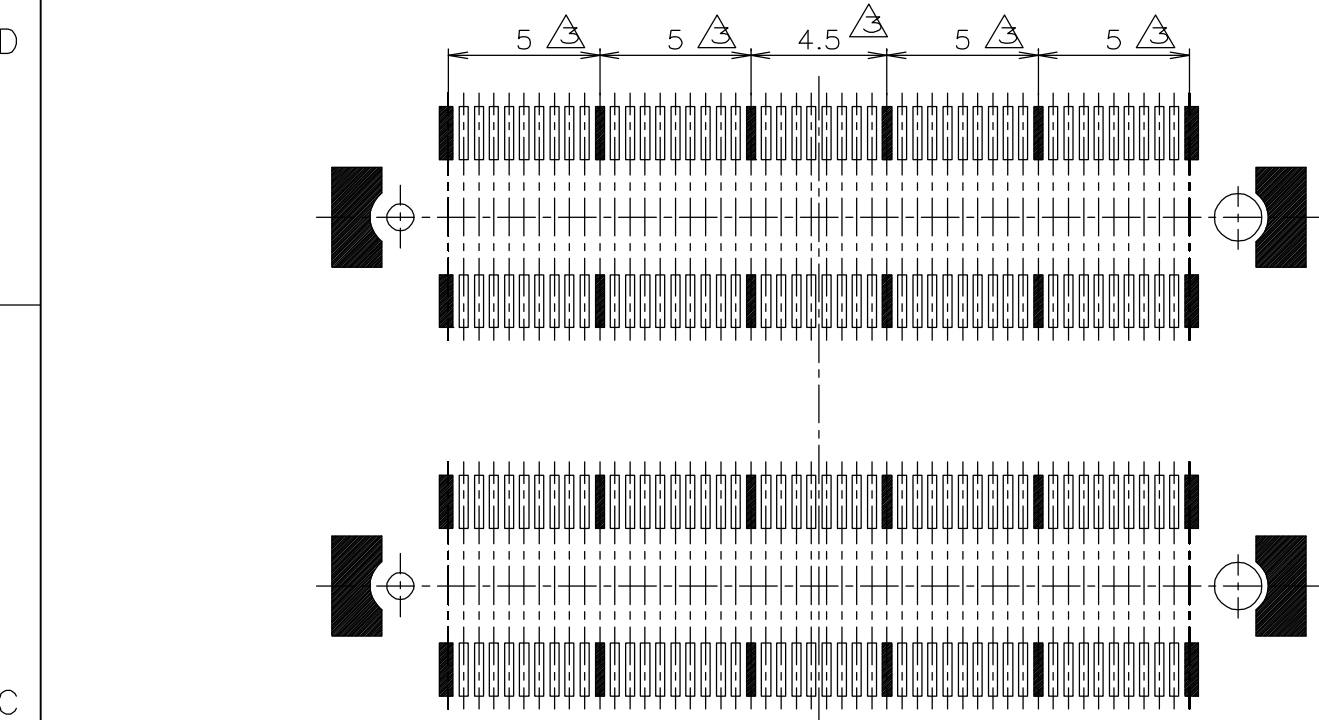


RECOMMENDED P.C.BOARD LAYOUT

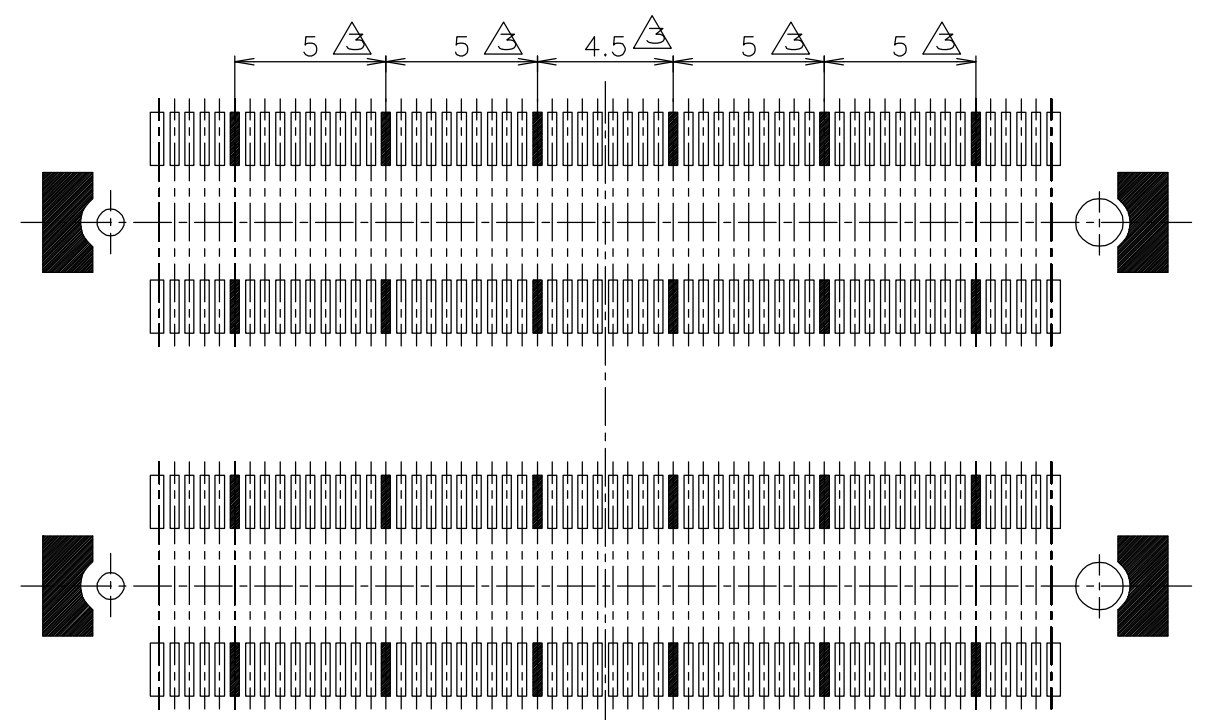
THIS DRAWING IS A CONTROLLED DOCUMENT.		DWN	 Tyco Electronics AMP K.K. Kawasaki, Japan			
DIMENSIONS: MM		CHK				
TOLERANCES UNLESS OTHERWISE SPECIFIED:		APVD	NAME			
0 PLC ± - 1 PLC ± - 2 PLC ± - 3 PLC ± - 4 PLC ± - ANGLES ± - FINISH		PRODUCT SPEC	EMBOSS ASSY			
MATERIAL		APPLICATION SPEC	FH 0.5BTB CONNECTOR REC 4H W/ G-CONT. AND 2 ROW CAP			
		WEIGHT	SIZE	CAGE CODE	DRAWING NO	RESTRICTED TO
		CUSTOMER DRAWING	A3	00779	C-6123675	
		SCALE	4:1	SHEET	4 OF 5	REV
						A

THIS DRAWING IS UNPUBLISHED. RELEASED FOR PUBLICATION MAR , 1999.
 © COPYRIGHT 1999 BY TYCO ELECTRONICS CORPORATION. ALL RIGHTS RESERVED.

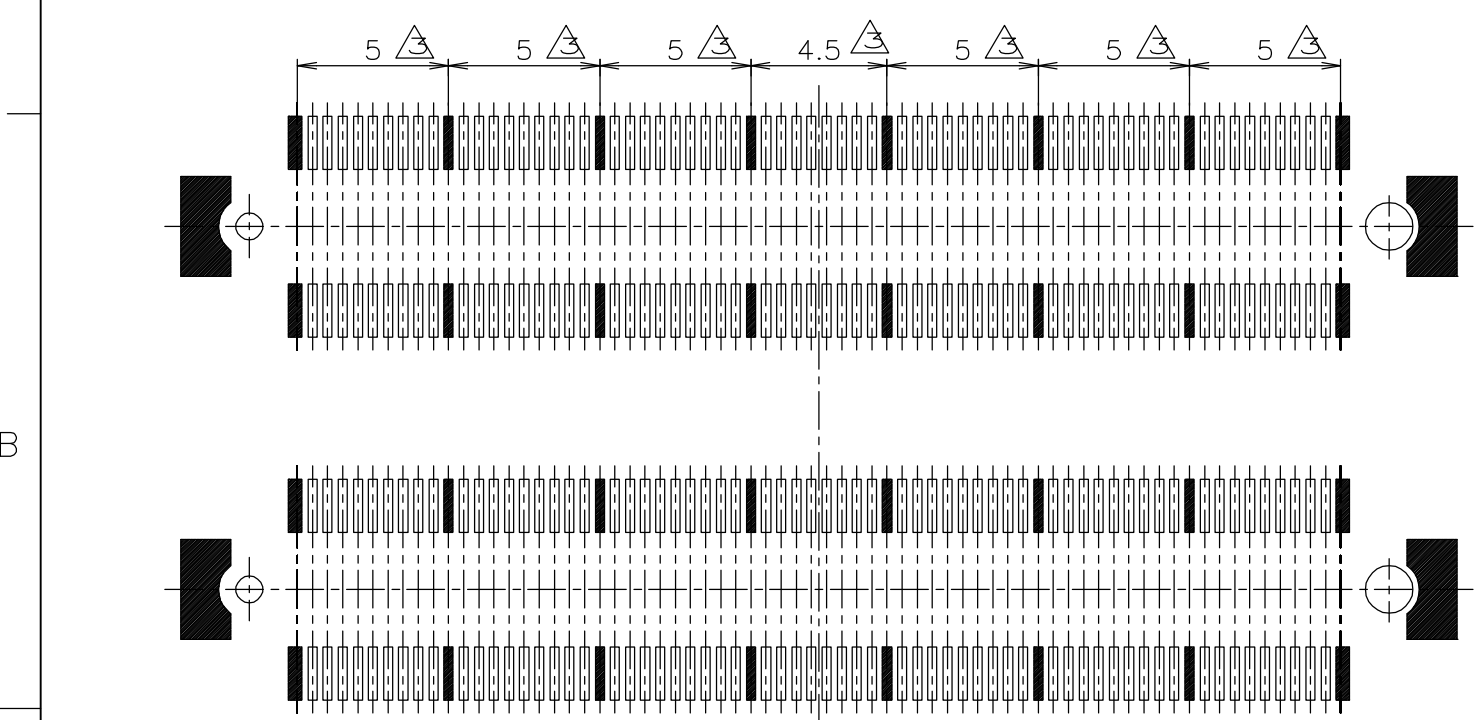
LOC	DIST	REVISIONS			DATE	DWN	APVD
J	/	P	LTR	DESCRIPTION	-	-	-
		-		SEE SHEET 1			



200P



240P



280P

THIS DRAWING IS A CONTROLLED DOCUMENT.		DWN	Tyco Electronics AMP K.K. Kawasaki, Japan			
DIMENSIONS: MM		CHK				
		APVD	NAME			
TOLERANCES UNLESS OTHERWISE SPECIFIED: 0 PLC ± - 1 PLC ± - 2 PLC ± - 3 PLC ± - 4 PLC ± - ANGLES ± - FINISH		PRODUCT SPEC	EMBOSS ASSY			
MATERIAL		APPLICATION SPEC	FH 0.5BTB CONNECTOR REC 4H W/ G-CONT. AND 2 ROW CAP			
		WEIGHT	SIZE	CAGE CODE	DRAWING NO	RESTRICTED TO
		CUSTOMER DRAWING	A3	00779	C-6123675	
			SCALE	SHEET	OF	REV
			4:1	5	5	A