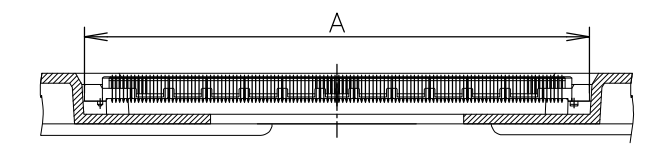
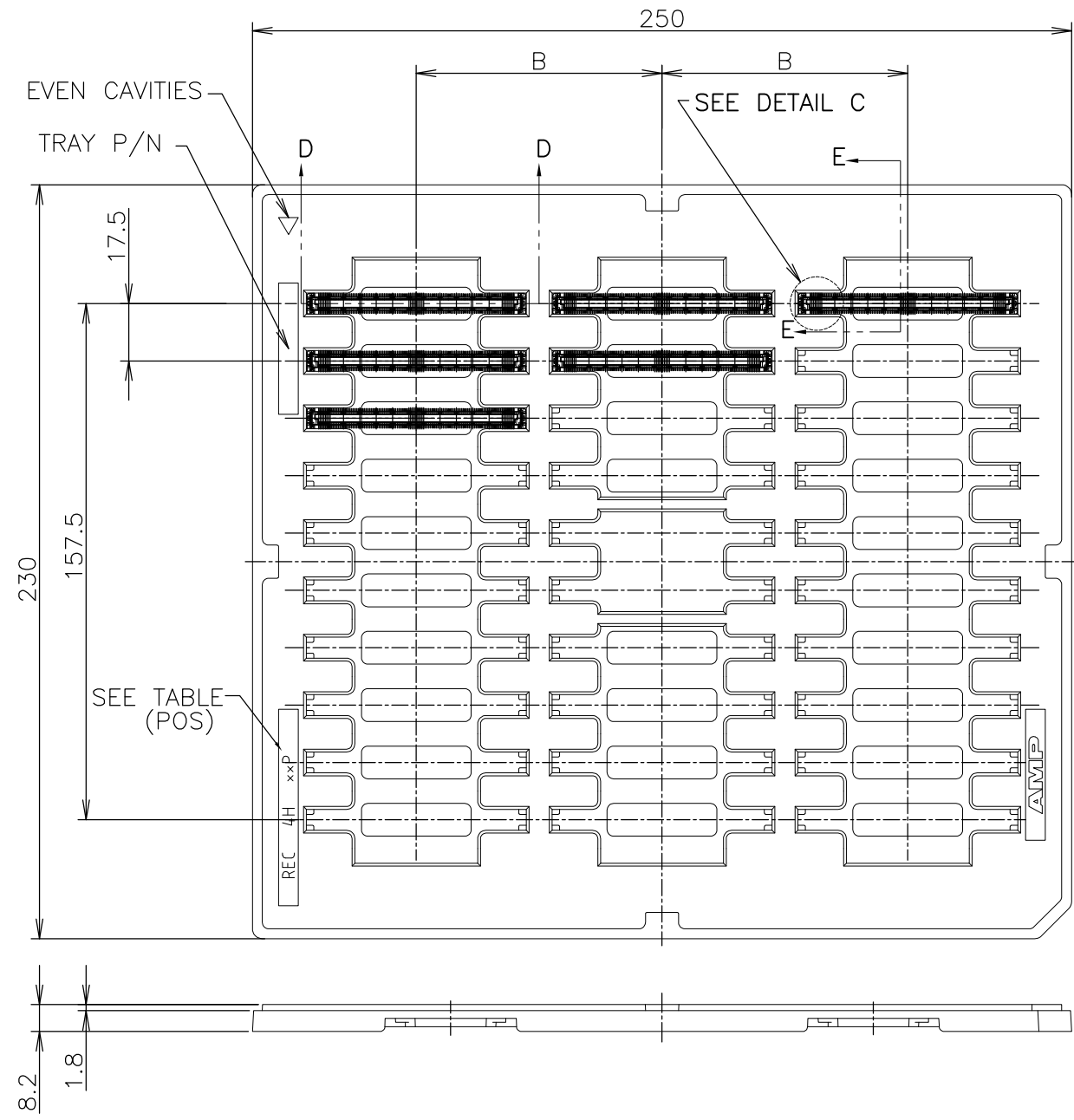
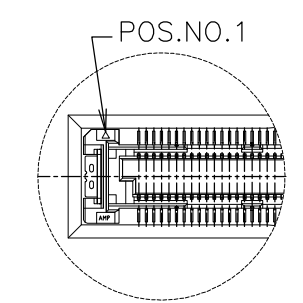


THIS DRAWING IS UNPUBLISHED. RELEASED FOR PUBLICATION .2005.
 © COPYRIGHT 2005 By - ALL RIGHTS RESERVED.

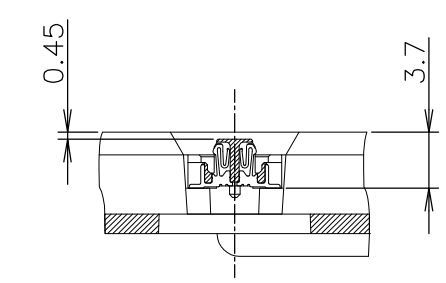
LOC	DIST	REVISIONS			
P	LTR	DESCRIPTION	DATE	DWN	APVD
ES		A	RELEASED	04AUG11	N.S C.W



SECT. D-D
(SCALE 2:1)
(CONNECTOR NOT SECTION)



DETAIL C
(SCALE 2:1)



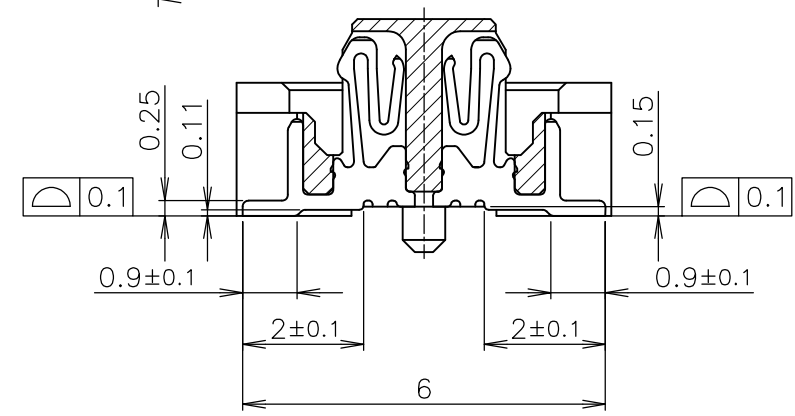
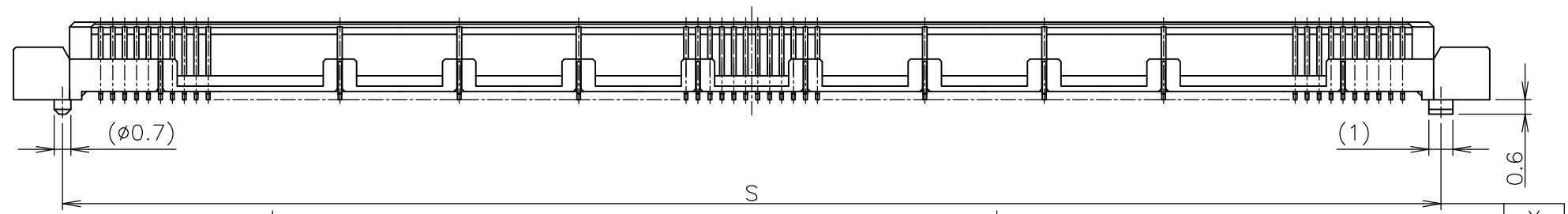
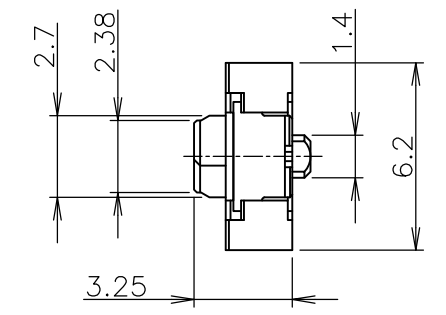
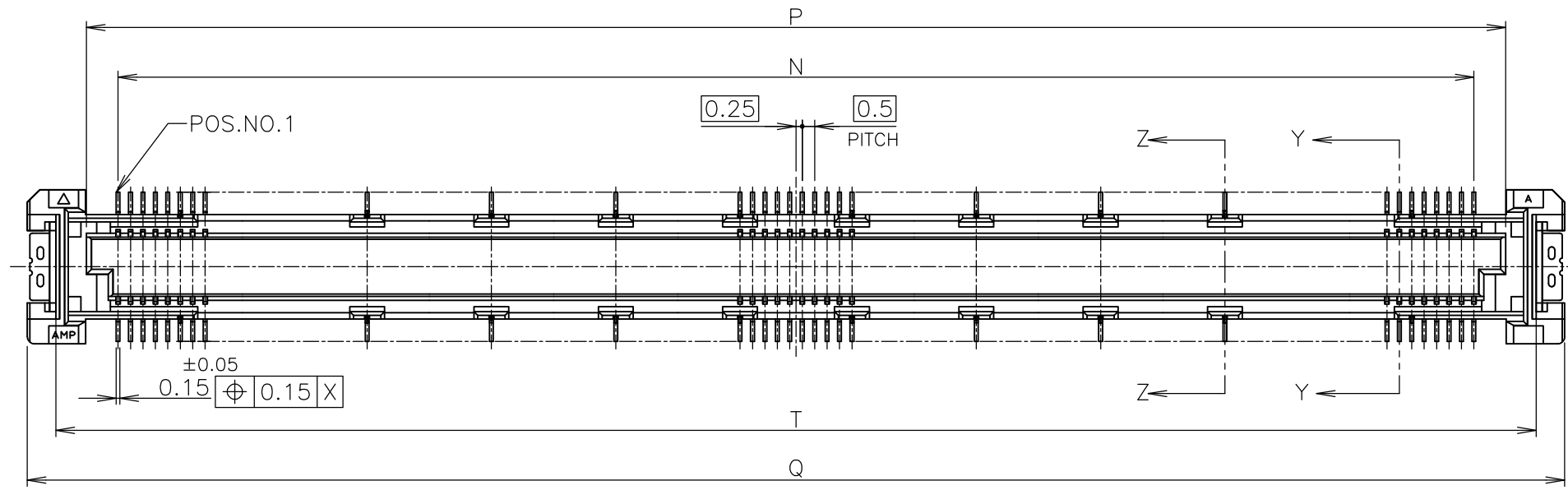
E-E
(SCALE 2:1)

NO	3	30	75	61.8	220	1932934-1
SEALANT	ROW	QTY	B	A	POS.	PART NO.

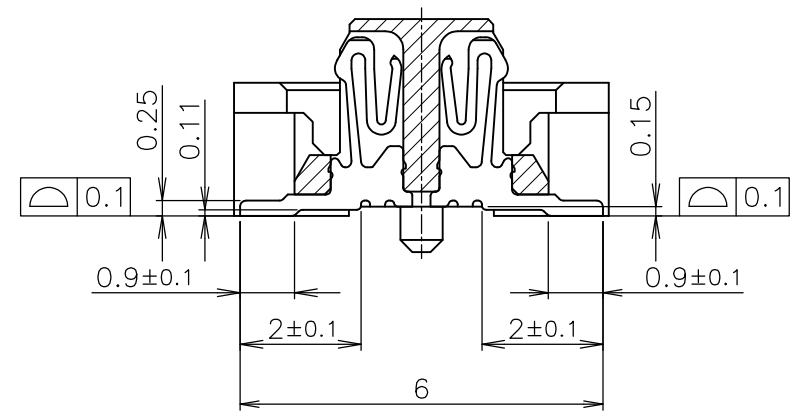
THIS DRAWING IS A CONTROLLED DOCUMENT.		DWN	N.SHEN	04AUG11	TE Connectivity HARD TRAY ASSY FH 0.5BTB CONNECTOR 220POS REC 4H WITH GROUND PLATE	
DIMENSIONS: MM		CHK	S.LI	04AUG11		
TOLERANCES UNLESS OTHERWISE SPECIFIED:		APVD	C.WANG	04AUG11		
0 PLC ± 0.3 1 PLC ± 0.3 2 PLC ± 0.3 3 PLC ± 0.3 4 PLC ± 0.3 ANGLES ± 3°		PRODUCT SPEC	108-5560	NAME		
MATERIAL		FINISH	APPLICATION SPEC		SIZE	A3
			WEIGHT		CAGE CODE	00779
			CUSTOMER DRAWING		DRAWING NO	C-1932934
					RESTRICTED TO	
					SCALE	1:2
					SHEET	1 OF 3
					REV	A

THIS DRAWING IS UNPUBLISHED. RELEASED FOR PUBLICATION .2002.
 © COPYRIGHT 2002 By - ALL RIGHTS RESERVED.

LOC	DIST	REVISIONS			
P	LTR	DESCRIPTION	DATE	DWN	APVD
-	-	-SEE SHEET 1-	-	-	-



SECT. Z-Z
(GROUND POSITION)
(SCALE 8:1)



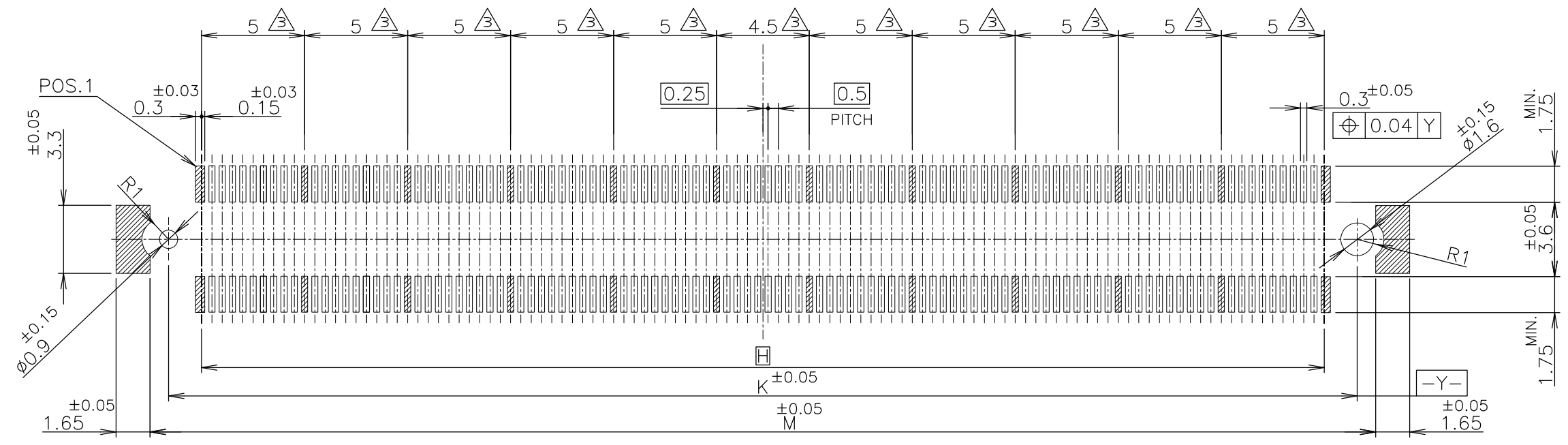
SECT. Y-Y
(SIGNAL POSITION)
(SCALE 8:1)

59.5	57.7	61.8	57.1	54.5	220	BLACK	1932934-1
T	S	Q	P	N	POS.	HSG COLOR	PART NO.

THIS DRAWING IS A CONTROLLED DOCUMENT.		DWN	TE Connectivity NAME HARD TRAY ASSY FH 0.5BTB CONNECTOR 220POS REC 4H WITH GROUND PLATE				
DIMENSIONS: MM		CHK					
TOLERANCES UNLESS OTHERWISE SPECIFIED:		APVD					
0 PLC ± 0.3 1 PLC ± 0.3 2 PLC ± 0.3 3 PLC ± 0.3 4 PLC ± 0.3 ANGLES ± 3°		PRODUCT SPEC					
MATERIAL		FINISH	APPLICATION SPEC	SIZE	CAGE CODE	DRAWING NO	RESTRICTED TO
1		2	WEIGHT	A3	00779	C-1932934	
CUSTOMER DRAWING			SCALE	SHEET	REV		
			4:1	2 OF 3	A		

THIS DRAWING IS UNPUBLISHED. RELEASED FOR PUBLICATION ,2002.
 © COPYRIGHT 2002 By - ALL RIGHTS RESERVED.

LOC	DIST	REVISIONS			
P	LTR	DESCRIPTION	DATE	DWN	APVD
-	-	-SEE SHEET 1-	-	-	-



REFERENCE P.C.BOARD LAYOUT

NOTES

- ① MATERIAL ; HOUSING : HIGH TEMP THERMO PLASTIC UL94V-0
 CONTACT : COPPER ALLOY
 SOLDER PEG : COPPER ALLOY
- ② FINISH ; SIGNAL CONTACT : UNDER PL Ni
 0.0013mm MIN ALL OVER.
 CONTACT AREA
 0.0002mm MIN Au PL.
 SOLDERING AREA
 0.00005mm MIN Au PL.
- GROUND CONTACT : UNDER PL Ni
 0.0013mm MIN ALL OVER.
 CONTACT AREA
 0.0002mm MIN Au PL.
 SOLDERING AREA
 0.001mm MIN TIN PL.
- SOLDER PEG : 0.001mm MIN
 TIN PL. OVER
 0.0013mm MIN
 Ni PL ALL OVER.
- ③ THIS POSITION IS GROUND CIRCUIT.

59.5	57.7	54.5	220	1932934-1
M	K	H	POS	PART NO.

THIS DRAWING IS A CONTROLLED DOCUMENT.		DWN		TE Connectivity HARD TRAY ASSY FH 0.5BTB CONNECTOR 220POS REC 4H WITH GROUND PLATE		
DIMENSIONS: MM		CHK				
TOLERANCES UNLESS OTHERWISE SPECIFIED:		APVD				
0 PLC ± 0.3 1 PLC ± 0.3 2 PLC ± 0.3 3 PLC ± 0.3 4 PLC ± 0.3 ANGLES ± 3°		PRODUCT SPEC				
MATERIAL		FINISH		NAME		
				APPLICATION SPEC		
WEIGHT		SIZE		CAGE CODE	DRAWING NO	RESTRICTED TO
CUSTOMER DRAWING		A3		00779	C-1932934	
SCALE		4:1		SHEET		3 OF 3
REV		A				