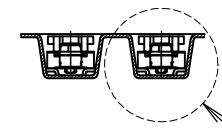
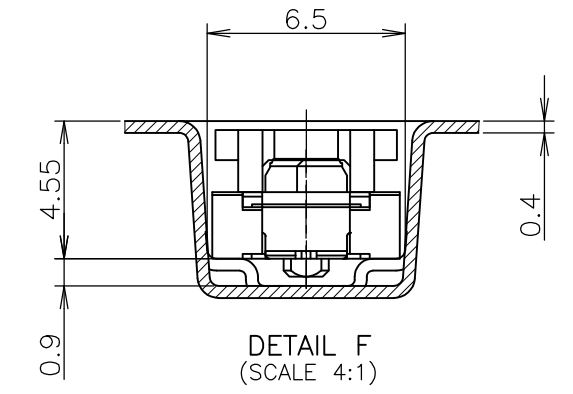
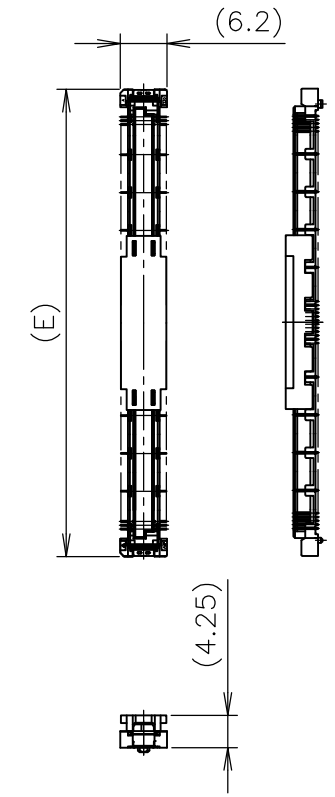
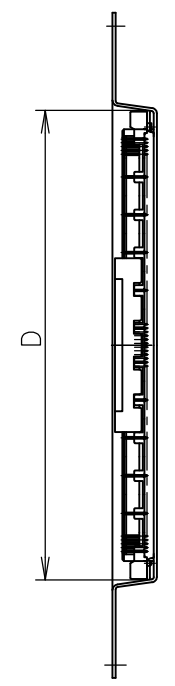
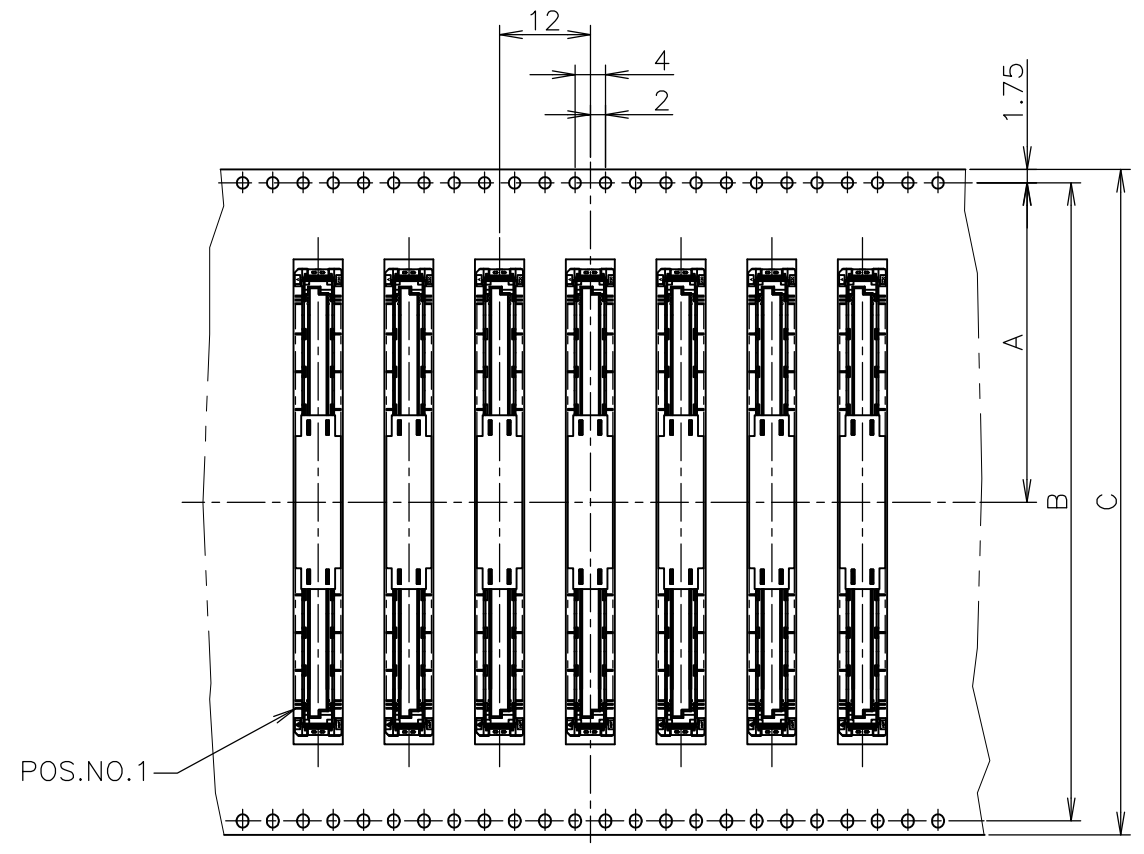


THIS DRAWING IS UNPUBLISHED. RELEASED FOR PUBLICATION MAR ,2008.
 © COPYRIGHT 2008 By - ALL RIGHTS RESERVED.

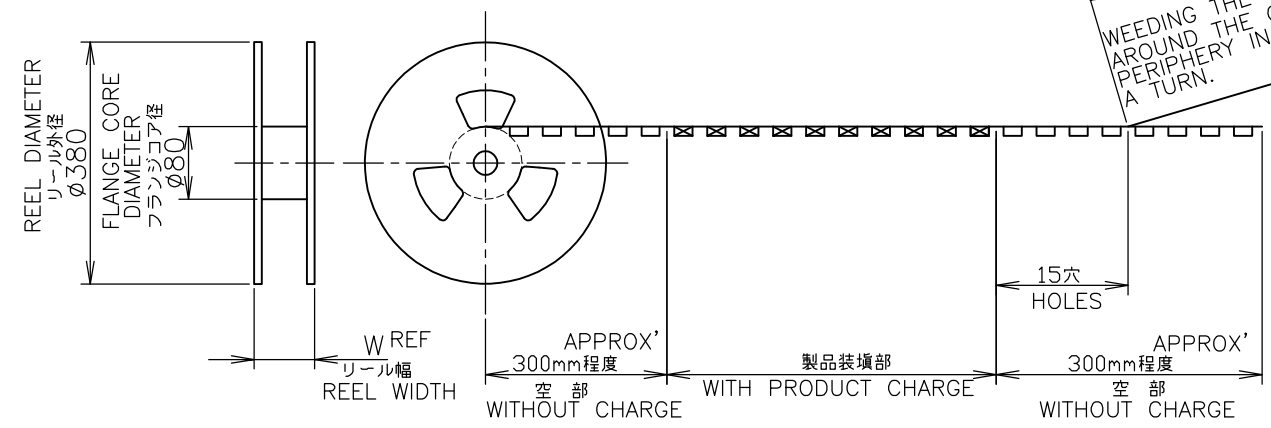
LOC	DIST	REVISIONS					
J	/	P	LTR	DESCRIPTION	DATE	DWN	APVD
		B		RELEASED ECR-12-000259	09JAN12	I.T	W.H

リール引出し方向
 DIRECTION OFF TOP OF REEL



SEE DETAIL F

カバーテープ
 リーダー部
 外周一巻
 WEEDING THE COVER TAPE
 AROUND THE OUTER
 PERIPHERY IN
 A TURN.



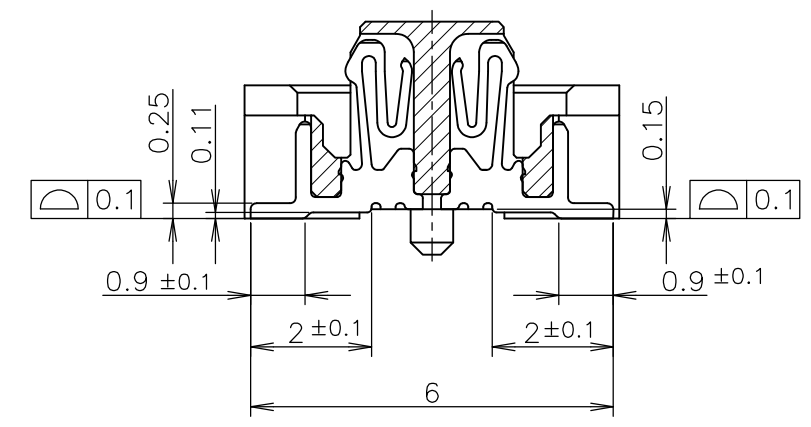
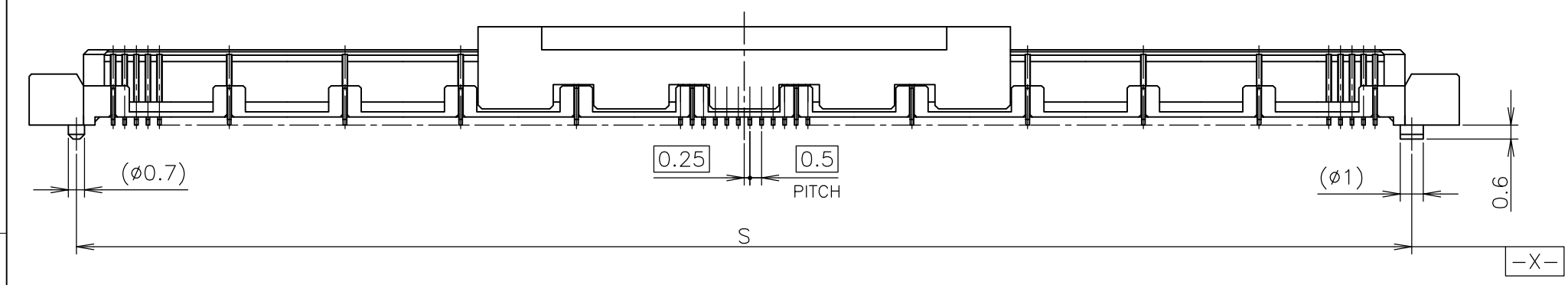
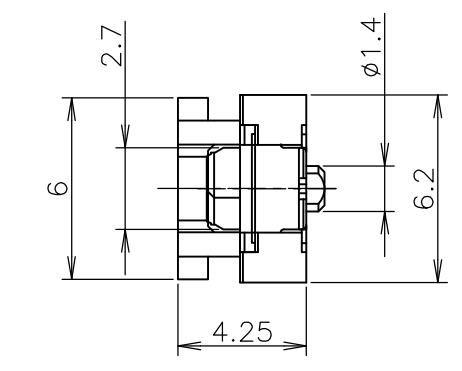
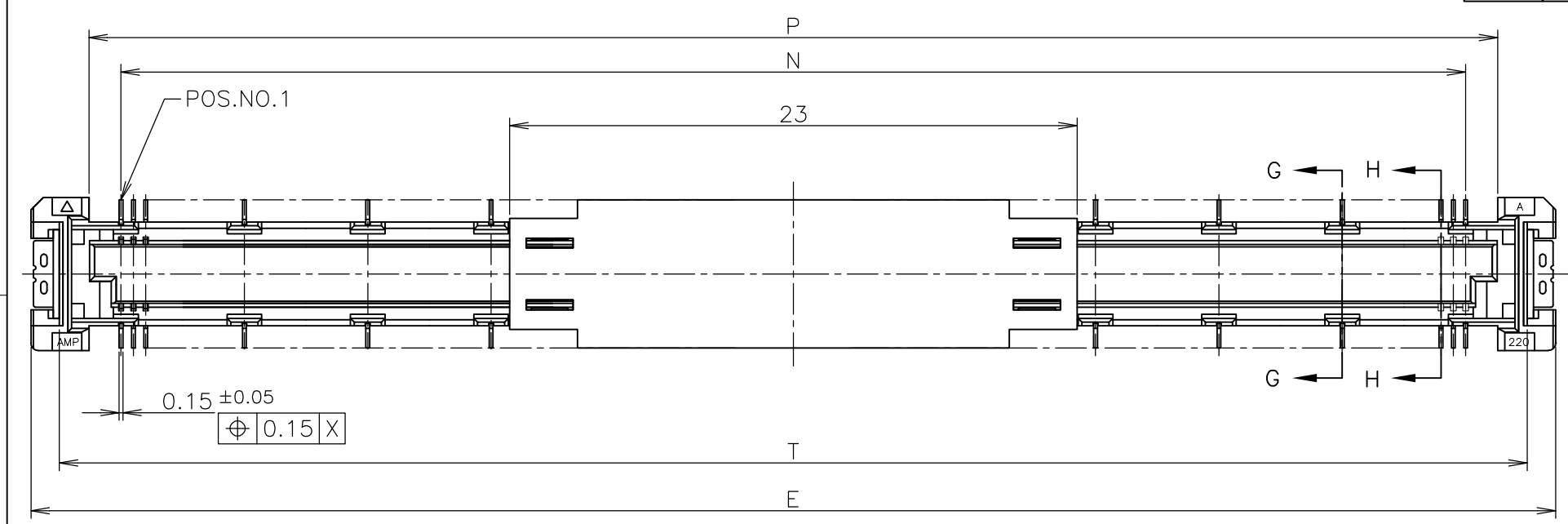
NO	950	59.5	57.7	57.1	54.5	95	61.8	62.1	88	84.4	42.25	220	BLACK	3-2040714-6
SEALANT	QTY	T	S	P	N	W	E	D	C	B	A	POS.	HSG COLOR	PART NO.

THIS DRAWING IS A CONTROLLED DOCUMENT.

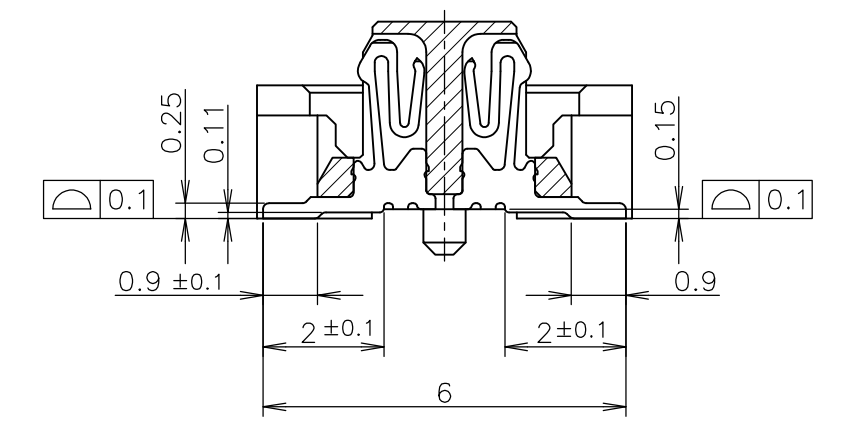
DIMENSIONS: 単位: 耗 mm	TOLERANCES UNLESS OTHERWISE SPECIFIED: 一般公差	DWN Y.NAKAZAWA 12MAR2008	TE Connectivity EMBOSS ASSY FH 0.5BTB CONNECTOR 220 POS REC 4H WITH G-CONT. AND CAP
	0 PLC ± 0.3	CHK T.FUTATSUGI 12MAR2008	
	1 PLC ± 0.3	APVD T.FUTATSUGI 12MAR2008	
	2 PLC ± 0.3	NAME 名称	
3 PLC ± 0.3	4 PLC ± 0.3	PRODUCT SPEC 製品規格 108-5560	SIZE A3
4 PLC ± 0.3	ANGLES ± 3'	APPLICATION SPEC 取付適用規格	CAGE CODE 00779
MATERIAL 材料	FINISH 仕上	WEIGHT	DRAWING NO 番号 C-2040714
CUSTOMER DRAWING			RESTRICTED TO 番号
SCALE 尺度 1:1			SHEET 1 OF 3
			REV B

THIS DRAWING IS UNPUBLISHED. RELEASED FOR PUBLICATION MAR , 2008.
 © COPYRIGHT 2008 By - ALL RIGHTS RESERVED.

LOC	DIST	REVISIONS					
J	/	P	LTR	DESCRIPTION	DATE	DWN	APVD
		-		SEE SHEET 1	-	-	-



G-G
(GROUND POSITION)
(SCALE 8:1)



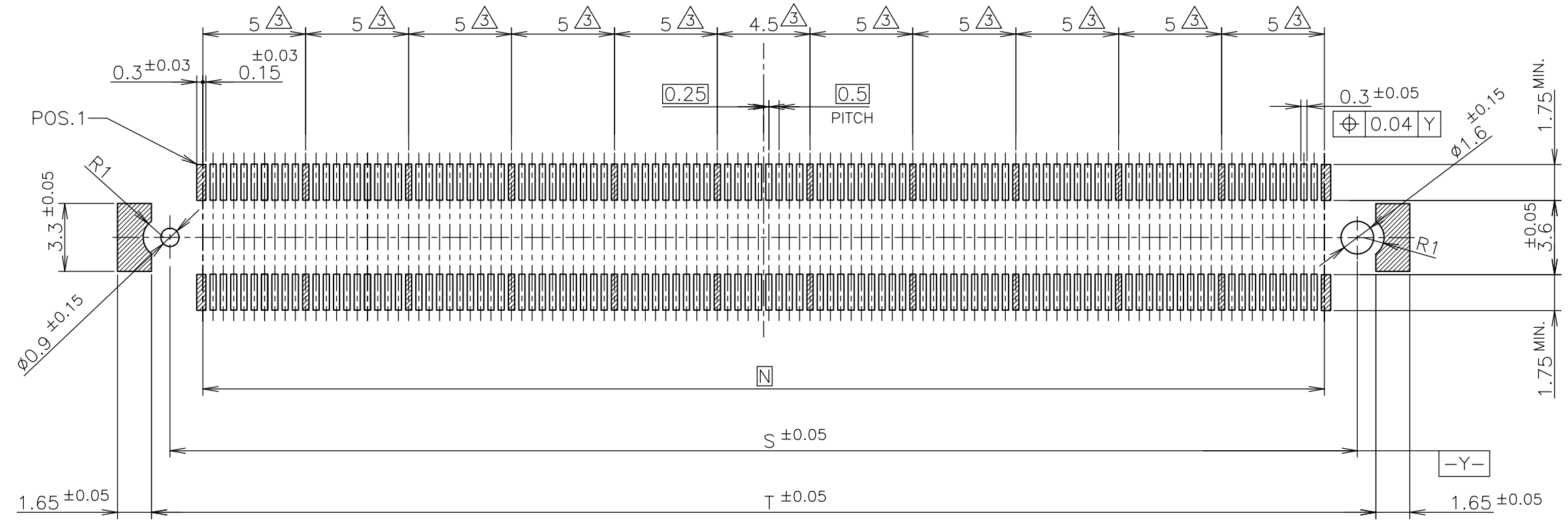
H-H
(SIGNAL POSITION)
(SCALE 8:1)

- ① MATERIAL; HOUSING: HIGH TEMP THERMO PLASTIC UL94V-0
CONTACT: COPPER ALLOY
SOLDER PEG: COPPER ALLOY
- ② FINISH ; SIGNAL CONTACT: UNDER PL Ni 0.0013mm MIN ALL OVER.
CONTACT AREA 0.00076mm MIN Au PL.
SOLDERING AREA 0.00005mm MIN Au PL.
GROUND CONTACT: UNDER PL Ni 0.0013mm MIN ALL OVER.
CONTACT AREA 0.00076mm MIN Au PL.
SOLDERING AREA 0.001mm MIN TIN PL.
SOLDER PEG: 0.001mm MIN TIN PL. OVER
0.0013mm MIN Ni PL ALL OVER.
- ③ THIS POSITION IS GROUND CIRCUIT.

THIS DRAWING IS A CONTROLLED DOCUMENT.		DWN	STE TE Connectivity		
DIMENSIONS: 单位: 耗 mm		CHK			
TOLERANCES UNLESS OTHERWISE SPECIFIED: 一般公差		APVD	NAME 名称		
0 PLC ± 0.3		PRODUCT SPEC 製品規格	EMBOSS ASSY		
1 PLC ± 0.3		APPLICATION SPEC 取付適用規格	FH 0.5BTB CONNECTOR 220 POS		
2 PLC ± 0.3		WEIGHT	SIZE	CAGE CODE	DRAWING NO 番号
3 PLC ± 0.3		CUSTOMER DRAWING	A3	00779	G-2040714
4 PLC ± 0.3			SCALE 尺度	4:1	SHEET 2 OF 3
ANGLES ± 3'					
MATERIAL 材料	FINISH 仕上				

THIS DRAWING IS UNPUBLISHED. RELEASED FOR PUBLICATION MAR , 2008.
 © COPYRIGHT 2008 By - ALL RIGHTS RESERVED.

LOC	DIST	REVISIONS		
J	/	P	LTR	DESCRIPTION
				DATE
				DWN
				APVD
		-	SEE SHEET 1	-



REFERENCE P.C. BOARD LAYOUT

THIS DRAWING IS A CONTROLLED DOCUMENT.		DWN	TE Connectivity		
DIMENSIONS: 单位: 耗 mm		CHK			
TOLERANCES UNLESS OTHERWISE SPECIFIED: 一般公差		APVD	NAME 名称		
0 PLC ± 0.3 1 PLC ± 0.3 2 PLC ± 0.3 3 PLC ± 0.3 4 PLC ± 0.3 ANGLES ± 3°		PRODUCT SPEC 製品規格	EMBOSS ASSY		
MATERIAL 材料		APPLICATION SPEC 取付適用規格	FH 0.5BTB CONNECTOR 220 POS REC 4H WITH G-CONT. AND CAP		
FINISH 仕上		WEIGHT	SIZE	CAGE CODE	DRAWING NO 番号
		CUSTOMER DRAWING	A3	00779	G-2040714
			RESTRICTED TO	SCALE 尺度 4:1	SHEET 3 OF 3
				REV B	