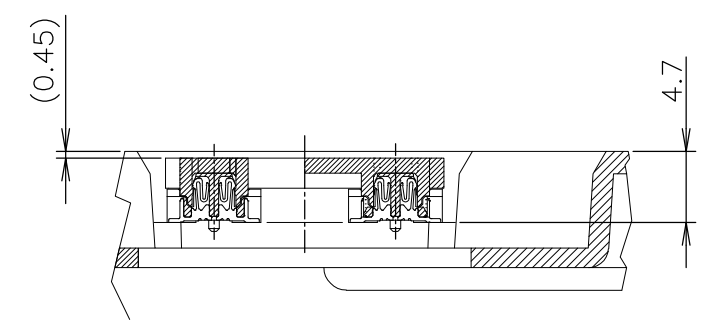
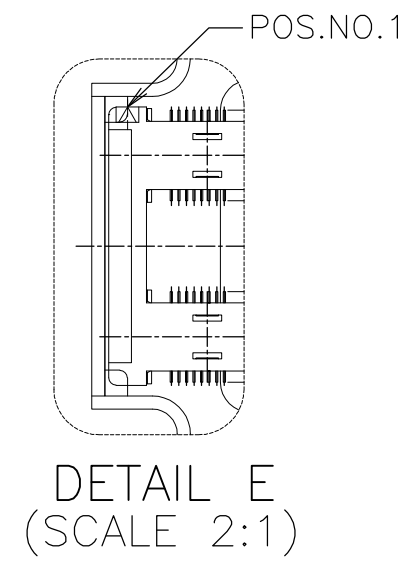
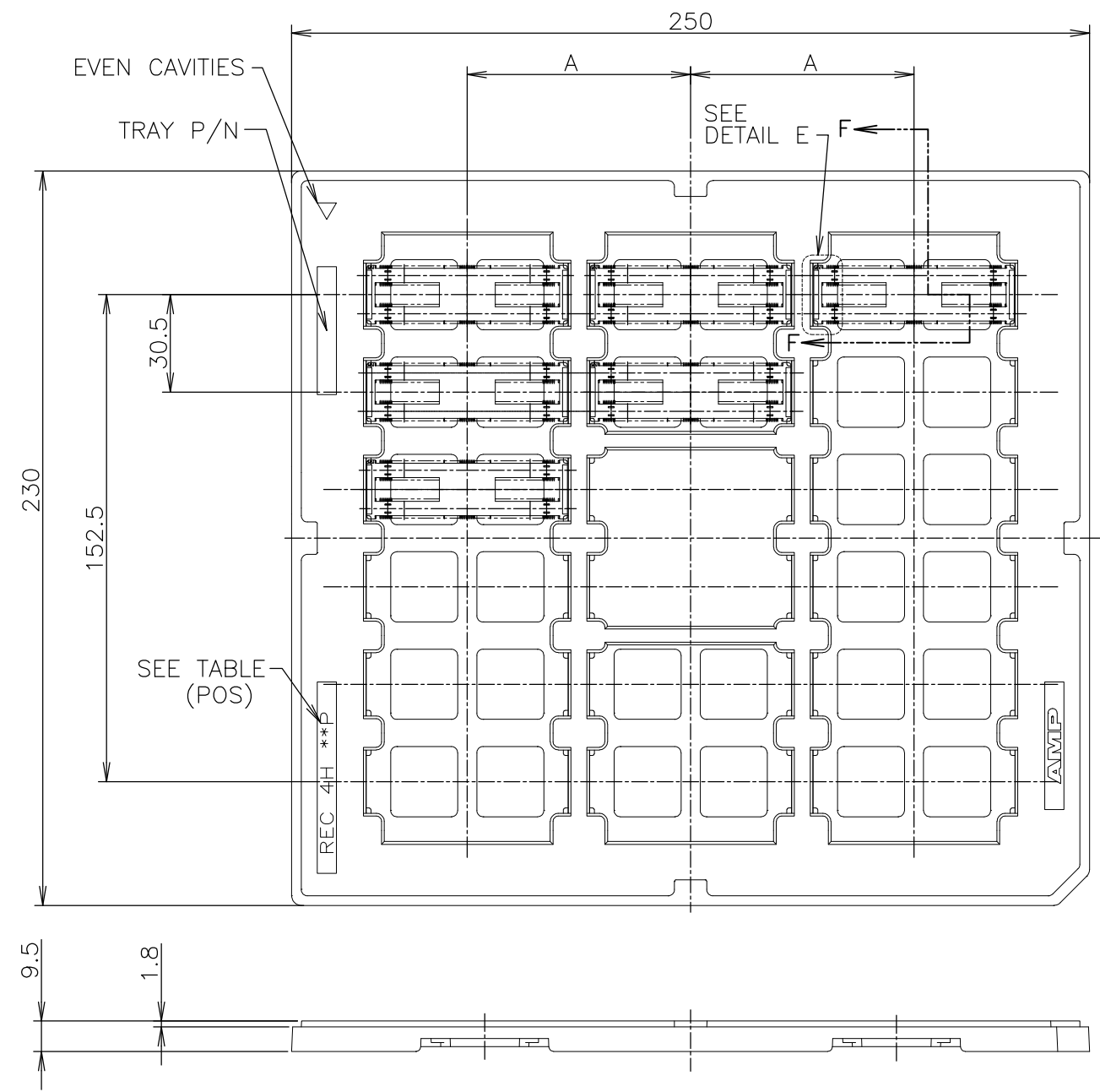


THIS DRAWING IS UNPUBLISHED. RELEASED FOR PUBLICATION .2005.  
 © COPYRIGHT 2005 By - ALL RIGHTS RESERVED.

LOC	DIST	REVISIONS			
P	LTR	DESCRIPTION	DATE	DWN	APVD
J		B1	REVISED PER ECO-11-005030	11MAR11	RK HMR



NO	3	18	75	440	3-1827231-6
SEALANT	ROW	QTY	A	POS.	PART NO.

THIS DRAWING IS A CONTROLLED DOCUMENT.		DWN S.CH IEN 18MAY05	TE Connectivity <b>HARD TRAY ASSY</b> FH 0.5BTB CONNECTOR 440POS REC 4H W/G-PLATE ON 2 ROW CAP			
DIMENSIONS: MM		CHK T.FUTATSUGI 18MAY05				
TOLERANCES UNLESS OTHERWISE SPECIFIED:		APVD W.KODAMA 18MAY05				
0 PLC ± 0.3 1 PLC ± 0.3 2 PLC ± 0.3 3 PLC ± 0.3 4 PLC ± 0.3 ANGLES ± 3°		NAME				
MATERIAL		PRODUCT SPEC 108-5560	SIZE	CAGE CODE	DRAWING NO	RESTRICTED TO
		APPLICATION SPEC	A3	00779	C-1827231	
		FINISH	CUSTOMER DRAWING		SCALE 1:2	SHEET 1 OF 4
					REV B1	

4

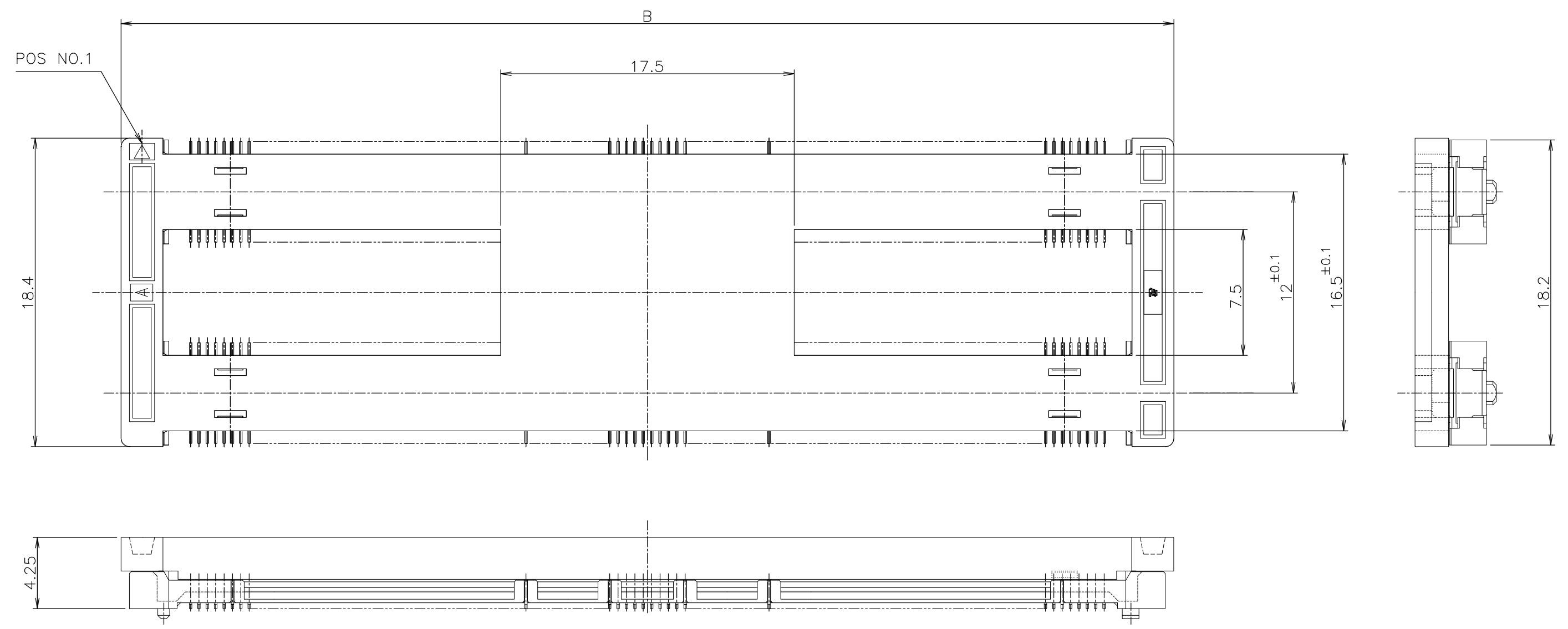
3

2

1

THIS DRAWING IS UNPUBLISHED. RELEASED FOR PUBLICATION ,2002.  
 © COPYRIGHT 2002 By - ALL RIGHTS RESERVED.

LOC	DIST	REVISIONS					
J		P	LTR	DESCRIPTION	DATE	DWN	APVD
		-		SEE SHEET 1	-	-	-



NOTES

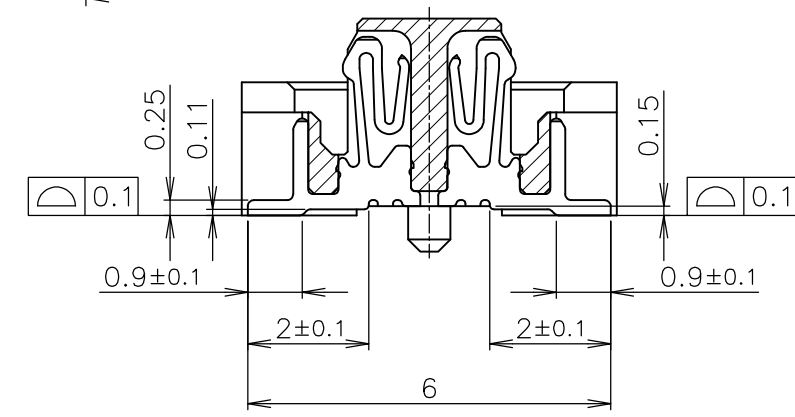
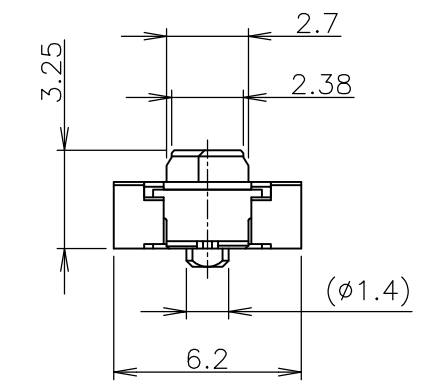
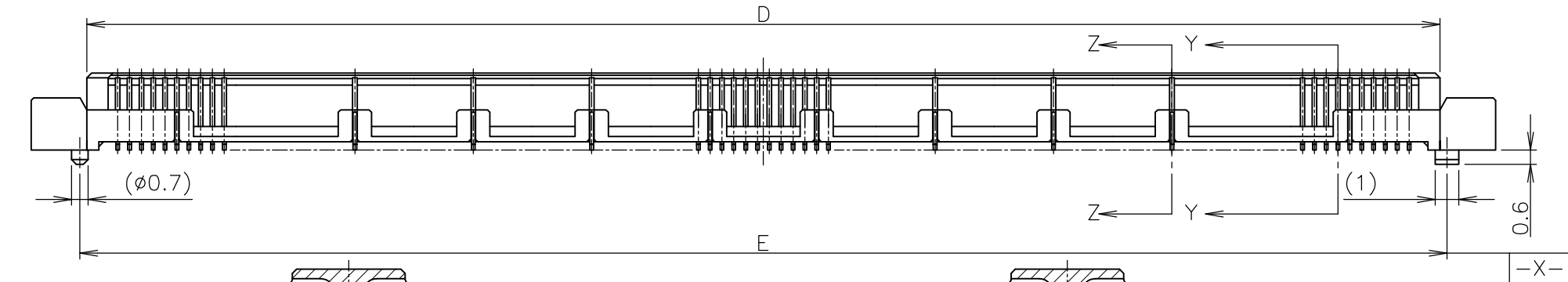
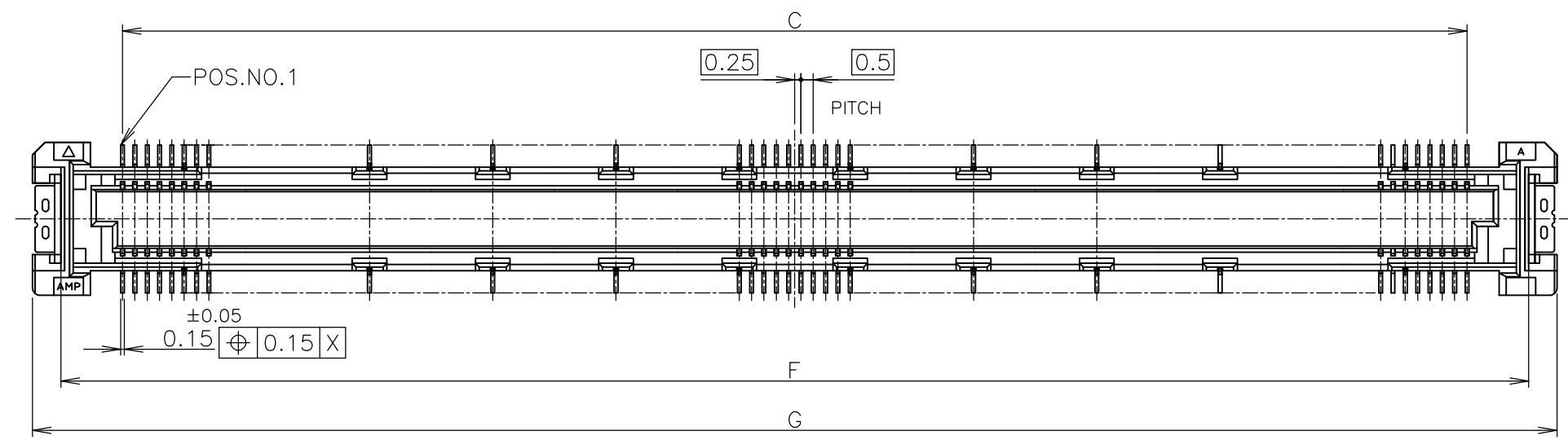
- △ MATERIAL ; HOUSING : HIGH TEMP THERMO PLASTIC UL94V-0  
 CONTACT : COPPER ALLOY  
 SOLDER PEG : COPPER ALLOY
- △ FINISH ; SIGNAL CONTACT : UNDER PL Ni  
 0.0013mm MIN ALL OVER.  
 CONTACT AREA  
 0.0002mm MIN Au PL.  
 SOLDERING AREA  
 0.00005mm MIN Au PL.
- GROUND CONTACT : UNDER PL Ni  
 0.0013mm MIN ALL OVER.  
 CONTACT AREA  
 0.0002mm MIN Au PL.  
 SOLDERING AREA  
 0.001mm MIN Sn PL.
- SOLDER PEG : 0.001mm MIN  
 Sn PL. OVER  
 0.0013mm MIN  
 Ni PL ALL OVER.
- △ THIS POSITION IS GROUND CIRCUIT.

BLACK	62.8	440	3-1827231-6
CAP COLOR	B	POS	PART NO.

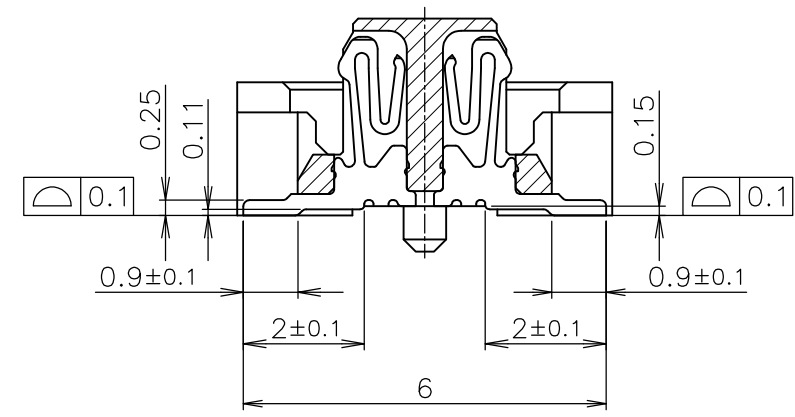
THIS DRAWING IS A CONTROLLED DOCUMENT.		DWN	TE Connectivity <b>HARD TRAY ASSY</b> FH 0.5BTB CONNECTOR 440POS REC 4H W/G-PLATE ON 2 ROW CAP	
DIMENSIONS:	TOLERANCES UNLESS OTHERWISE SPECIFIED:	CHK		
MM		APVD		
		PRODUCT SPEC		
	0 PLC ± 0.3	APPLICATION SPEC	NAME	
	1 PLC ± 0.3		SIZE	CAGE CODE
	2 PLC ± 0.3		A3	00779
	3 PLC ± 0.3		DRAWING NO	C-1827231
	4 PLC ± 0.3		RESTRICTED TO	
	ANGLES ± 3°	WEIGHT	CUSTOMER DRAWING	
MATERIAL	FINISH	SCALE 4:1		SHEET 2 OF 4
△ 1	△ 2	REV B1		

THIS DRAWING IS UNPUBLISHED. RELEASED FOR PUBLICATION ,2002.  
 © COPYRIGHT 2002 By - ALL RIGHTS RESERVED.

LOC	DIST	REVISIONS					
J		P	LTR	DESCRIPTION	DATE	DWN	APVD
		-		SEE SHEET 1	-	-	-



SECT. Z-Z  
(GROUND POSITION)  
(SCALE 8:1)



SECT. Y-Y  
(SIGNAL POSITION)  
(SCALE 8:1)

61.8	59.5	57.7	57.1	54.5	220	BLACK	3-1827231-6
G	F	E	D	C	POS.	HSG COLOR	PART NO.

THIS DRAWING IS A CONTROLLED DOCUMENT.		DWN	TE Connectivity NAME HARD TRAY ASSY FH 0.5BTB CONNECTOR 440POS REC 4H W/G-PLATE ON 2 ROW CAP			
DIMENSIONS: MM		CHK				
TOLERANCES UNLESS OTHERWISE SPECIFIED: 0 PLC ± 0.3 1 PLC ± 0.3 2 PLC ± 0.3 3 PLC ± 0.3 4 PLC ± 0.3 ANGLES ± 3°		APVD				
MATERIAL		PRODUCT SPEC				
FINISH		APPLICATION SPEC	SIZE	CAGE CODE	DRAWING NO	RESTRICTED TO
		WEIGHT	A3	00779	C-1827231	
		CUSTOMER DRAWING		SCALE	SHEET	REV
				4:1	3 OF 4	B1

4

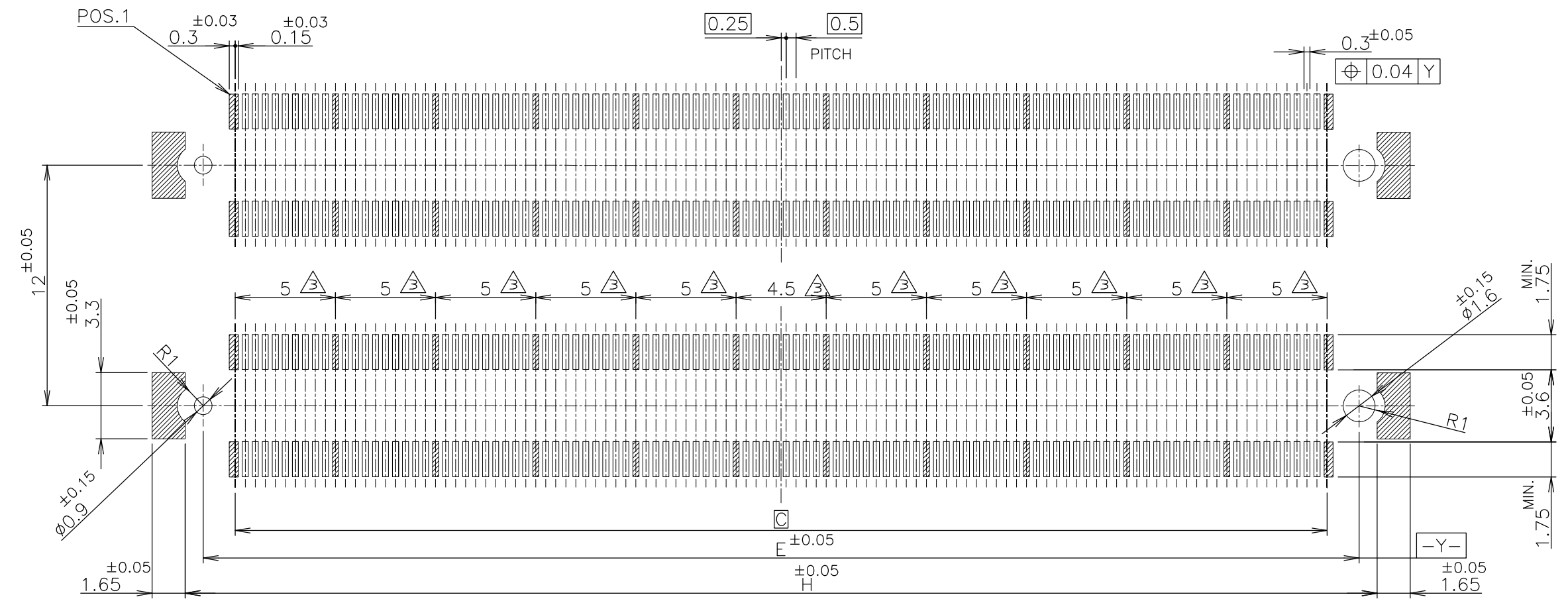
3

2

1

THIS DRAWING IS UNPUBLISHED. RELEASED FOR PUBLICATION ,2002.  
 © COPYRIGHT 2002 By - ALL RIGHTS RESERVED.

LOC	DIST	REVISIONS					
J		P	LTR	DESCRIPTION	DATE	DWN	APVD
		-		SEE SHEET 1	-	-	-



REFERENCE P.C.BOARD LAYOUT

59.5	440	3-1827231-6
H	POS	PART NO.

THIS DRAWING IS A CONTROLLED DOCUMENT.		DWN	TE Connectivity HARD TRAY ASSY FH 0.5BTB CONNECTOR 440POS REC 4H W/G-PLATE ON 2 ROW CAP	
DIMENSIONS: MM		CHK		
		APVD		
TOLERANCES UNLESS OTHERWISE SPECIFIED: 0 PLC ± 0.3 1 PLC ± 0.3 2 PLC ± 0.3 3 PLC ± 0.3 4 PLC ± 0.3 ANGLES ± 3°		PRODUCT SPEC		
MATERIAL		FINISH	APPLICATION SPEC	SIZE: A3 CAGE CODE: 00779 DRAWING NO: C-1827231
			WEIGHT	RESTRICTED TO
CUSTOMER DRAWING			SCALE: 4:1	SHEET: 4 OF 4
			REV: B1	