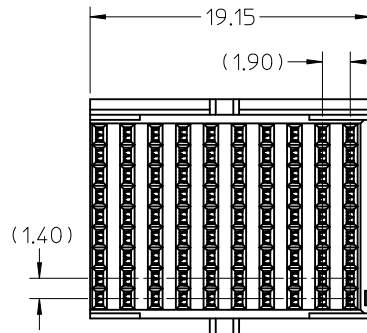
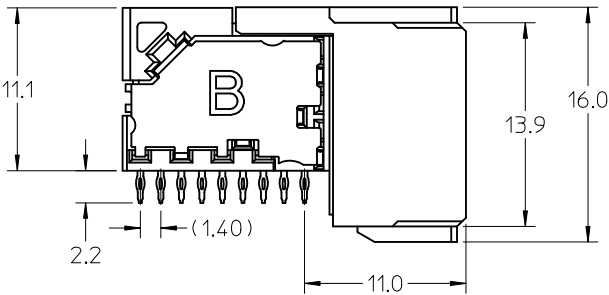
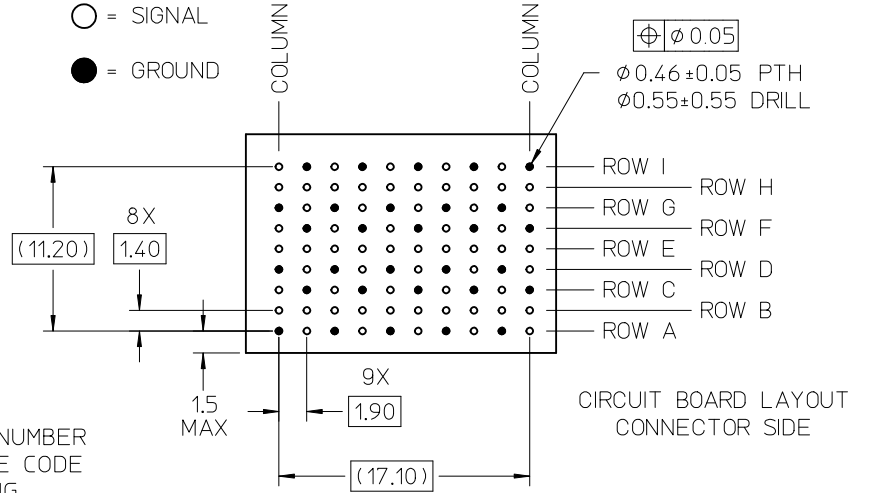


PART NUMBER & DATE CODE MARKING



NOTES:

1. MATERIALS: CONTACTS - COPPER ALLOY; HOUSING - LIQUID CRYSTAL POLYMER (LCP), UL 94V-0, BLACK.
2. FINISHES: SELECTIVE GOLD (Au) IN CONTACT AREA, SELECTIVE MATTE TIN (Sn) OR TIN/LEAD (Sn/Pb) IN TAIL AREA, NICKEL (Ni) OVERALL.
3. PARTS PACKAGED PER PK-70873-0066.
4. THESE PARTS CONFORM TO MOLEX PRODUCT SPECIFICATION PS-76706-999.
5. THESE PARTS CONFORM TO MOLEX COSMETIC SPECIFICATION PS-45499-002 CLASS B.
6. MINIMUM CIRCUIT BOARD THICKNESS: 1.4

PART NUMBER	TAIL PLATING
76785-0010	MATTE TIN
76785-0110	TIN/LEAD

REVISED (MINOR)	DESCRIPTION
EC NO: UCP2011-2318	
DRWN: JBINGHAM 2011/02/01	
CHKD: JLAURX 2011/02/01	
APPR: JLAURX 2011/02/03	
AZ	

QUALITY SYMBOLS	VALUE
▽=0	
▽=0	

GENERAL TOLERANCES (UNLESS SPECIFIED)	
mm	INCH
4 PLACES ± ---	± ---
3 PLACES ± ---	± ---
2 PLACES ± 0.13	± ---
1 PLACE ± 0.25	± ---
ANGULAR ± 2 °	
DRAFT WHERE APPLICABLE MUST REMAIN WITHIN DIMENSIONS	

DIMENSION STYLE	
MM ONLY	
DRAWN BY	DATE
JBINGHAM	2008/06/18
CHECKED BY	DATE
JLAURX	2008/06/18
APPROVED BY	DATE
JLAURX	2009/09/23
MATERIAL NO.	
SEE CHART	
SIZE	
B	

SCALE	DESIGN UNITS	THIRD ANGLE PROJECTION
3:1	METRIC	☉
TITLE		
TINMAN 3-PAIR 85-OHM RIGHT ANGLE RECEPTACLE 10-COLUMN SALES ASSEMBLY		
molex MOLEX INCORPORATED		
DOCUMENT NO.	SHEET NO.	
SD-76785-010	1 OF 1	
THIS DRAWING CONTAINS INFORMATION THAT IS PROPRIETARY TO MOLEX INCORPORATED AND SHOULD NOT BE USED WITHOUT WRITTEN PERMISSION		