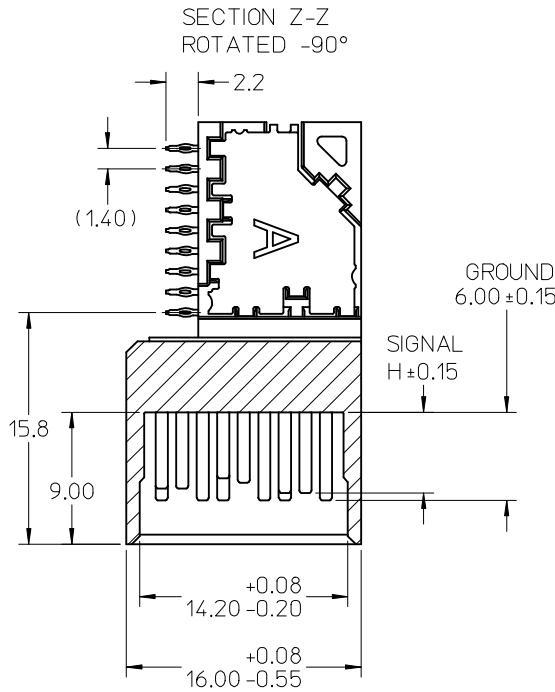
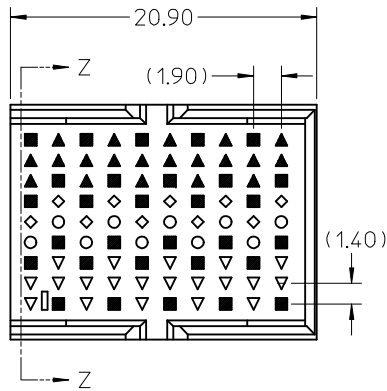
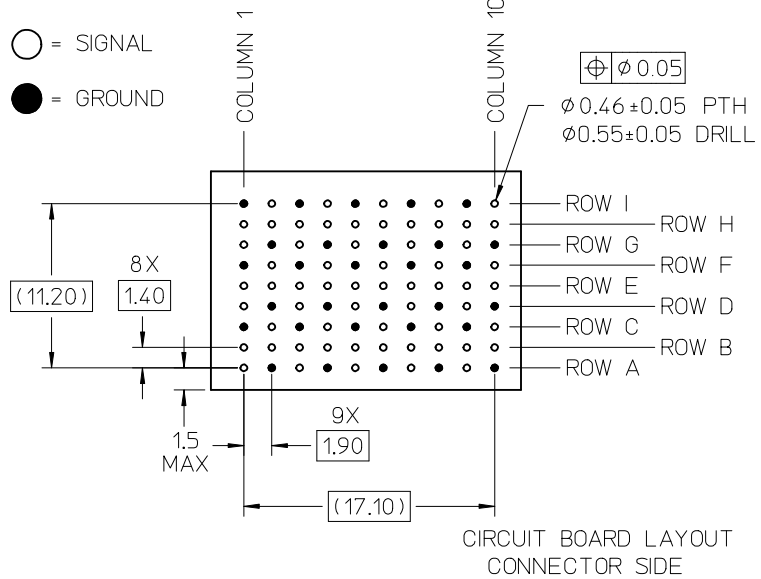


PART NUMBER & DATE CODE MARKING



○ = SIGNAL
● = GROUND



- NOTES:
1. MATERIALS: CONTACTS - COPPER ALLOY; HOUSING - LIQUID CRYSTAL POLYMER (LCP), UL 94V-0, BLACK.
 2. FINISHES: SELECTIVE GOLD (Au) IN CONTACT AREA, SELECTIVE MATTE TIN (Sn) OR TIN/LEAD (Sn/Pb) IN TAIL AREA, NICKEL (Ni) OVERALL.
 3. PARTS PACKAGED PER PK-70873-0065.
 4. THESE PARTS CONFORM TO MOLEX PRODUCT SPECIFICATION PS-76706-999.
 5. THESE PARTS CONFORM TO MOLEX COSMETIC SPECIFICATION PS-45499-002 CLASS B.
 6. MINIMUM CIRCUIT BOARD THICKNESS: 1.4

SYMBOL	DIM H
■	6.0
▲	5.5
▽	5.2
◇	4.8
○	4.5

PART NUMBER	TAIL PLATING
76790-4210	MATTE TIN
76790-4310	TIN/LEAD

REVISED (MINOR) EC NO: UCP2010-0291 DRAWN: JBINGHAM 2009/08/14 CHKD: JLAURX 2009/08/14 APPR: JLAURX 2009/08/31	QUALITY SYMBOLS ▼=0 ▽=0	GENERAL TOLERANCES (UNLESS SPECIFIED)		DIMENSION STYLE MM ONLY	SCALE 3:1	DESIGN UNITS METRIC	THIRD ANGLE PROJECTION		
		4 PLACES ± --- ± --- 3 PLACES ± --- ± --- 2 PLACES ± 0.13 ± --- 1 PLACE ± 0.25 ± ---	mm INCH	DRAWN BY JBINGHAM	DATE 2009/04/29	TITLE TINMAN 3-PAIR 85-OHM RIGHT ANGLE HEADER 10-COL RIGHT SALES ASS'Y			
		ANGULAR ± 2 °		CHECKED BY JLAURX	DATE 2009/04/29	MOLEX INCORPORATED			
		DRAFT WHERE APPLICABLE MUST REMAIN WITHIN DIMENSIONS		APPROVED BY JLAURX	DATE 2009/08/28	MATERIAL NO. SEE CHART	DOCUMENT NO. SD-76790-4210	SHEET NO. 1 OF 1	