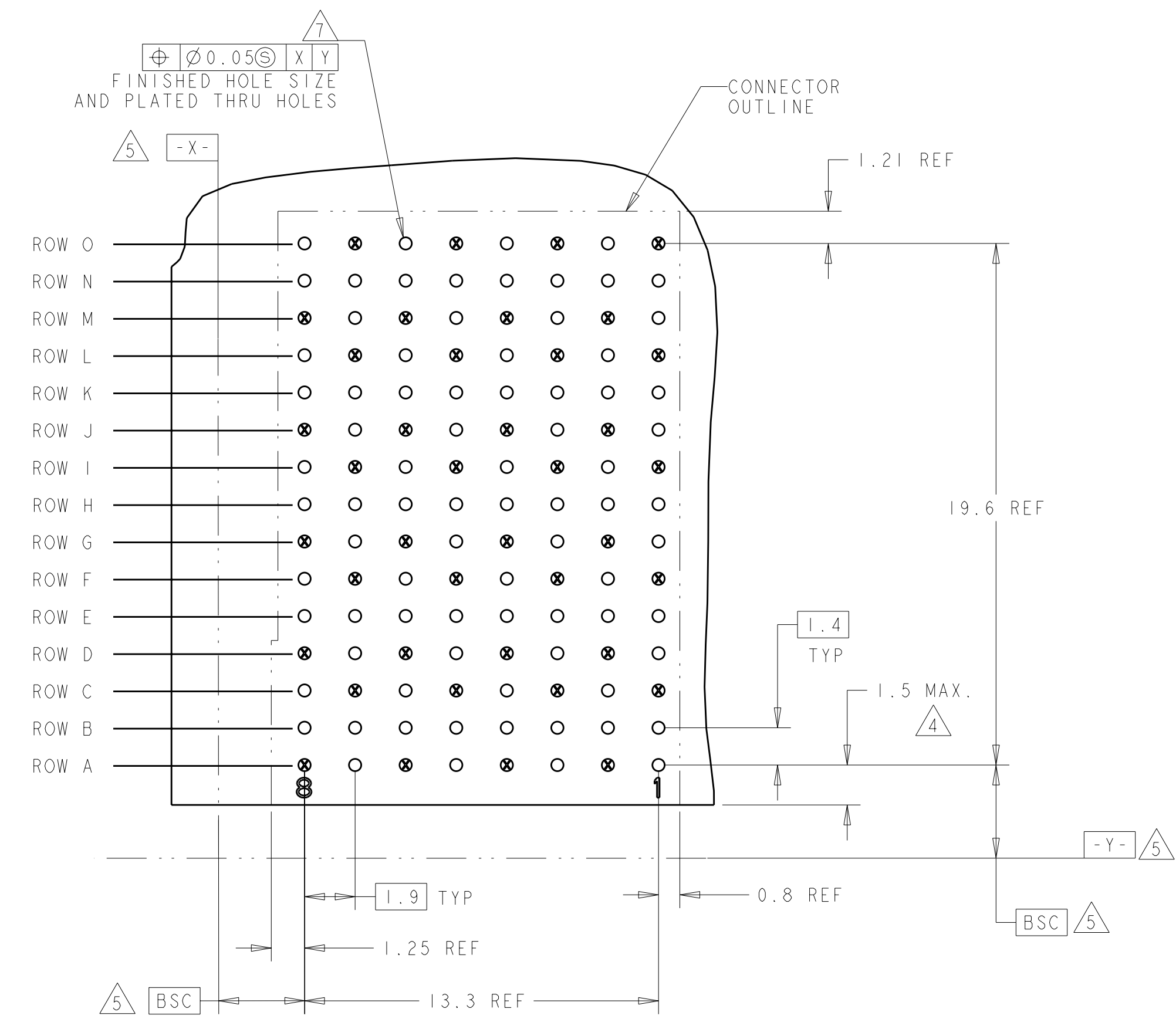
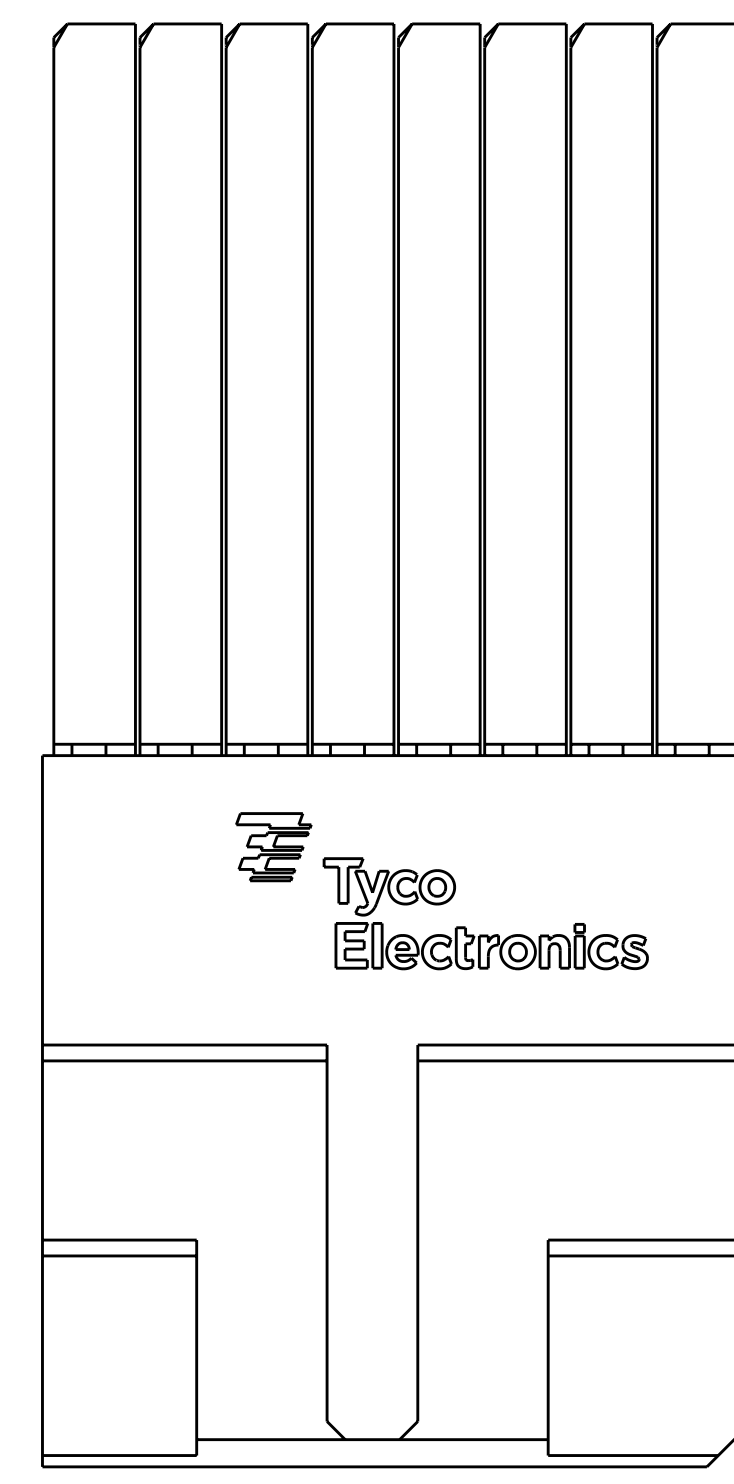


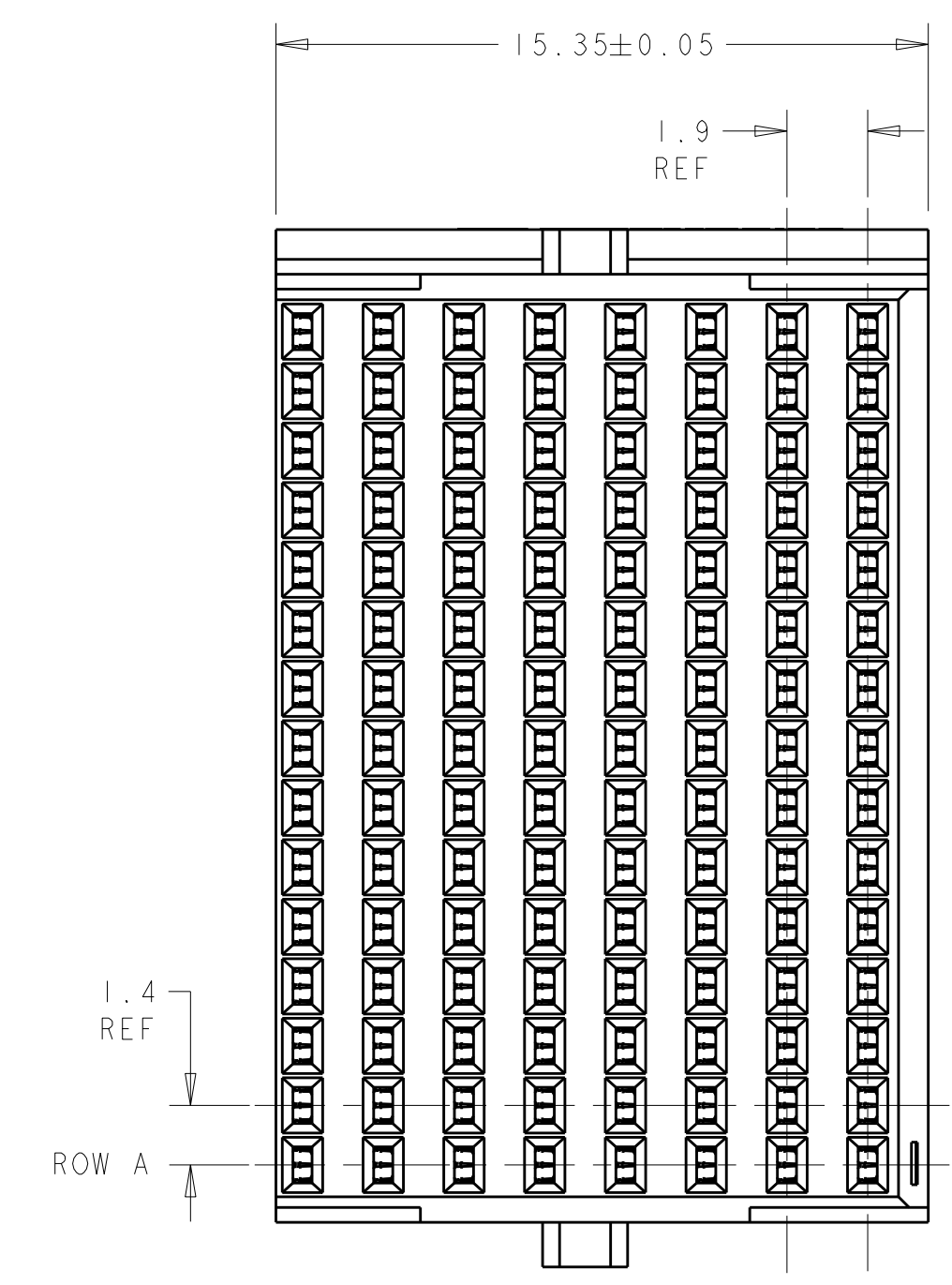
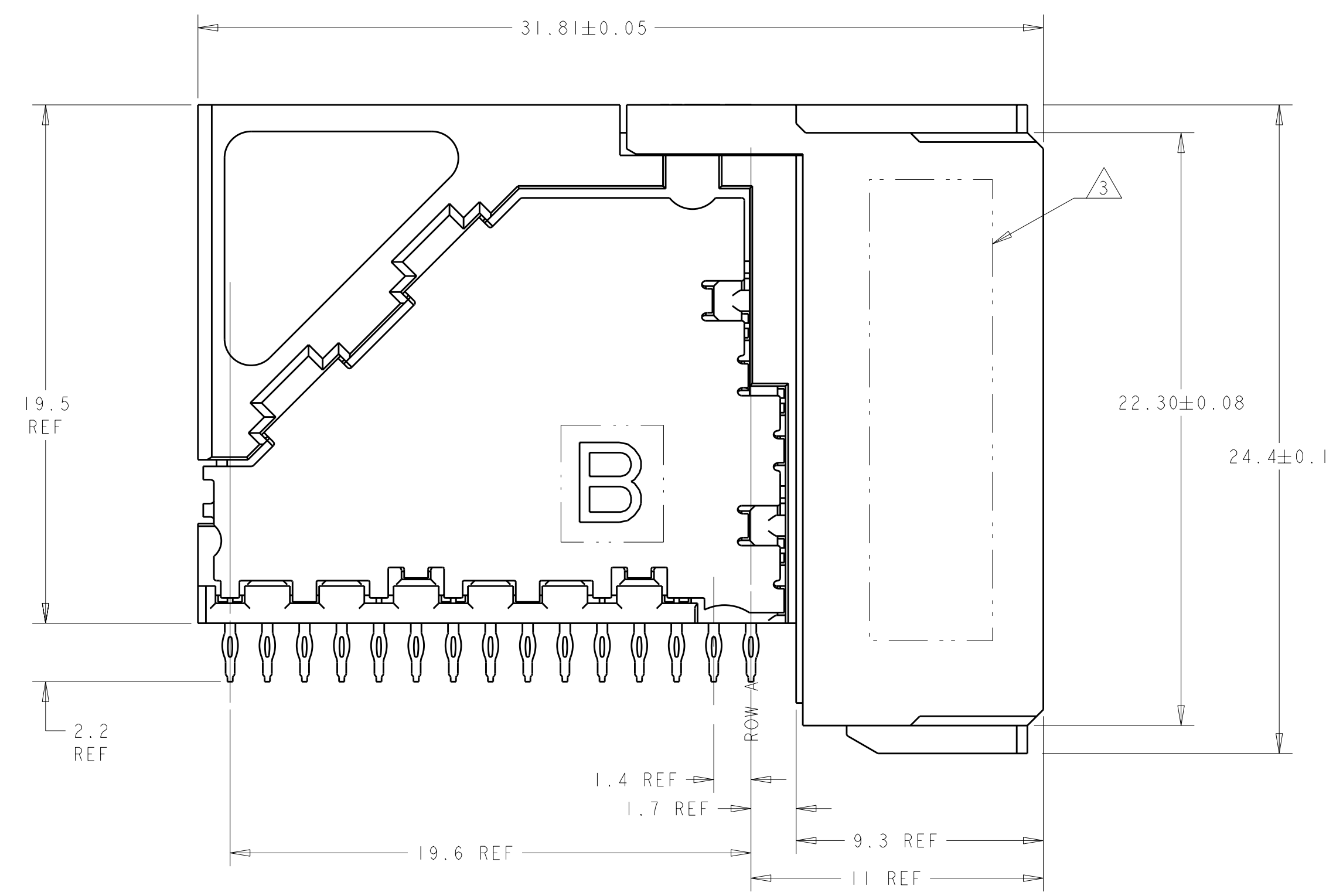
LOC	DIST	REV	DATE	BY	CHK	APPD
AD	00	B1	18MAY2011	RK	HMR	



○ = SIGNAL
 ⊗ = GROUND
 RECOMMENDED PC BOARD LAYOUT
 DAUGHTER BOARD
 COMPONENT SIDE SHOWN
 SCALE 6:1



- △ MATERIAL:
 CONTACT AND SHIELD - PHOS BRONZE
 HOUSING AND CHICKLET - LCP, UL 94V-0, COLOR - BLACK
- △ FINISH:
 CONTACT: MATING AREA - 0.76µm MIN GOLD OVER 1.27µm MIN NICKEL
 COMPLIANT PIN AREA - 0.5µm MIN MATTE TIN OVER 1.27µm MIN NICKEL
 SHIELD: 1.27µm MIN NICKEL
- △ CONNECTOR MARKED ON EITHER SIDE OF HOUSING WITH PART NUMBER, DATE CODE AND STANDARD IN APPROXIMATE AREA SHOWN.
- △ DIMENSION APPLIES TO CENTERLINE OF THRU HOLE.
- △ DATUMS AND BASIC DIMENSIONS ESTABLISHED BY CUSTOMER.
- 6. CONTACT AREA LUBRICATED WITH BELLCORE APPROVED LUBRICANT. TECHNICAL REFERENCE: GR-1217-CORE, ISSUE 1, NOVEMBER 1995.
- △ REFERENCE APPLICATION SPEC 114-13202 FOR RECOMMENDED PLATED THRU HOLE DIAMETER AND PLATING THICKNESSES.
- △ THE GROUNDS IN EACH COLUMN ARE COMMONED.



1934218-1
 PART NUMBER

THIS DRAWING IS A CONTROLLED DOCUMENT.		DWN: S. J. MAGARO 31JAN2007	TE Connectivity RECEPTACLE ASSEMBLY, 5 PAIR, 8 COLUMN
DIMENSIONS: mm		CHK: W. DAVIS 31JAN2007	
TOLERANCES UNLESS OTHERWISE SPECIFIED:		APVD: R. PATTERSON 27AUG2007	NAME: R. PATTERSON
0 PLC ±	1 PLC ±	2 PLC ±	3 PLC ±
4 PLC ±	5 PLC ±	6 PLC ±	7 PLC ±
MATERIAL: △		FINISH: △	
CUSTOMER DRAWING		SIZE: A100779	DRAWING NO: C=1934218
SCALE: 6:1		SHEET: 1	OF: 1
REV: B1			