

# 0.5mm Pitch Back-lock FPC Connectors

## FF14 Series



### OUTLINE

FF14 series is 0.5mm contact pitch and a back-lock mechanism connector.

Applicable FPC is 0.2mm or 0.12mm thickness. It has both upper and lower contacts and low profile 0.9mm height.

Also PCB mounting space is the smallest.

### APPLICATIONS

Mobile Phone, Digital Camera, MP3 Player, Portable PC, PDA, other Portable Devices

### FEATURE

1. Both upper and lower contacts design accepts any FPC insertion directions.
2. DDK's original rotate oval cam lock mechanism; "Back-lock" system ensure the reliable connection.
3. Back-lock structure enables to retain FPC against pulling upward direction.
4. Connectors deliver with the lock lever opened. Time saving for FPC inserting operation.
5. Emboss tape and reel package for automatic mounting machine.
6. High temperature resistant resin for lead free reflow process.

### SPECIFICATIONS

Rated Voltage	50V AC (r.m.s.)
Rated Current	0.5A / contact
Dielectric Withstanding Voltage	200V AC (r.m.s.) / 1 minute
Insulation Resistance	100 M $\Omega$ (min.) at 500V DC
Contact Resistance	50m $\Omega$ (max.)

### MATERIAL/FINISH

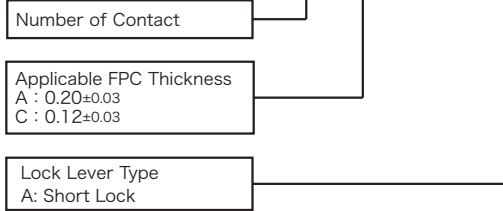


Contact	Copper Alloy / Au(Flash) over Nickel Plating
Housing	LCP Resin (UL94V-0) / Ivory
Lock Lever	PPS Resin (UL94V-0) / Black

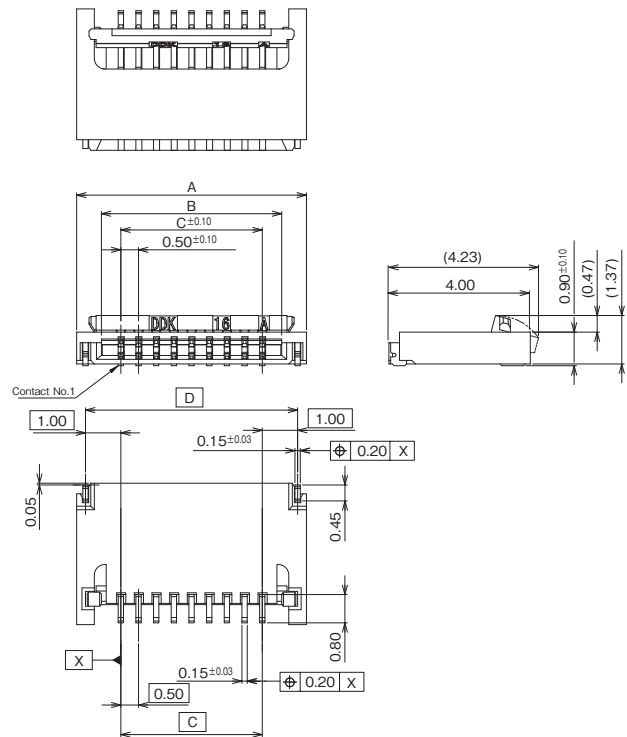
Caution : Regarding the handling this connector, please refer to the attached instruction manual.

© Specifications and/or dimensions in this catalogue are subject to change without notice.  
Your catalogue checking the latest specifications with our drawings would be highly appreciated.

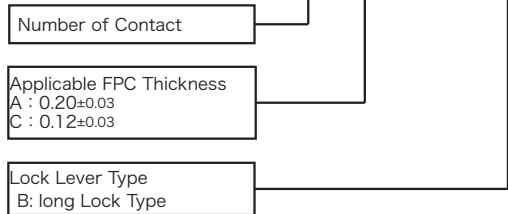
### ▶ Short Lock Type

**FF14-□□□-R11A**


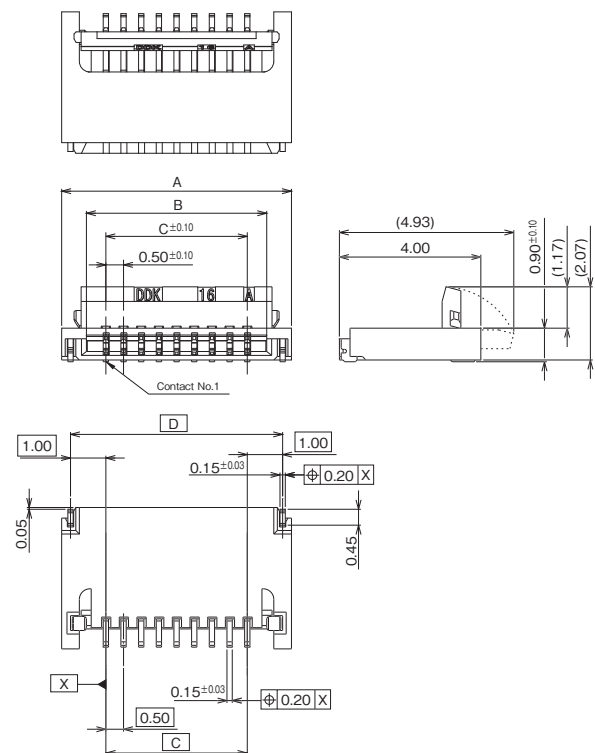
Part Number	Number of Contact	A	B	C	D	E
FF14-4 □-R11A	4	4.00	2.60	1.50	3.50	2.50
FF14-14 □-R11A	14	9.00	7.60	6.50	8.50	7.50
FF14-17 □-R11A	17	10.50	9.10	8.00	10.00	9.00
FF14-18 □-R11A	18	11.00	9.60	8.50	10.50	9.50
FF14-24 □-R11A	24	14.00	12.60	11.50	13.50	12.50
FF14-26 □-R11A	26	15.00	13.60	12.50	14.50	13.50
FF14-27 □-R11A	27	15.50	14.10	13.00	15.00	14.00
FF14-30 □-R11A	30	17.00	15.60	14.50	16.50	15.50



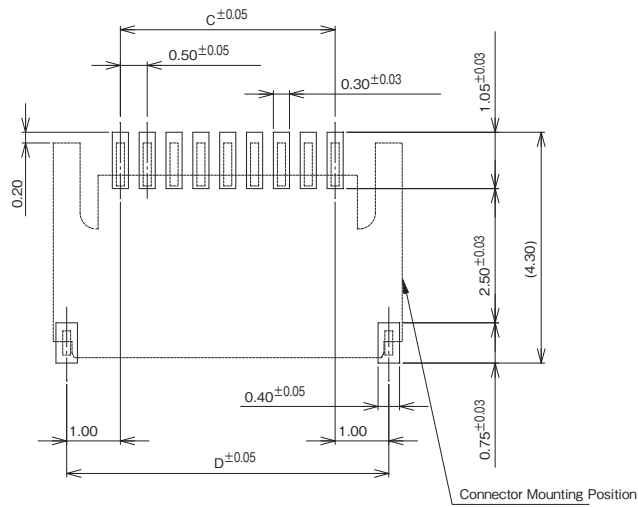
### ▶ Long Lock Type

**FF14-□□□-R11B**


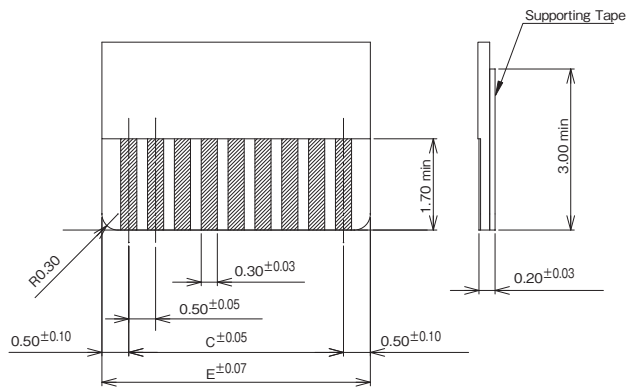
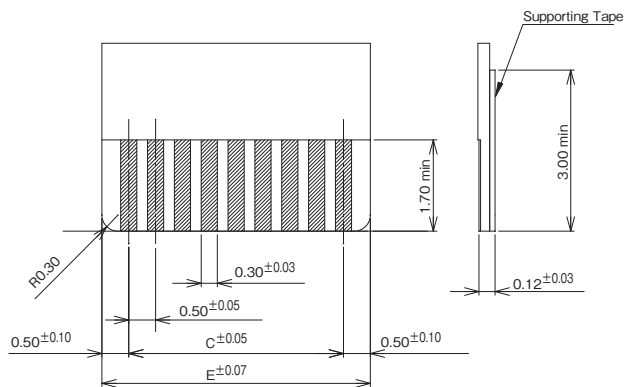
Part Number	Number of Contact	A	B	C	D	E
FF14-4 □-R11B	4	4.00	2.60	1.50	3.50	2.50
FF14-8 □-R11B	8	6.00	4.60	3.50	5.50	4.50
FF14-10 □-R11B	10	7.00	5.60	4.50	6.50	5.50
FF14-12 □-R11B	12	8.00	6.60	5.50	7.50	6.50
FF14-14 □-R11B	14	9.00	7.60	6.50	8.50	7.50
FF14-16 □-R11B	16	10.00	8.60	7.50	9.50	8.50
FF14-18 □-R11B	18	11.00	9.60	8.50	10.50	9.50
FF14-19 □-R11B	19	11.50	10.10	9.00	11.00	10.00
FF14-20 □-R11B	20	12.00	10.60	9.50	11.50	10.50
FF14-21 □-R11B	21	12.50	11.10	10.00	12.00	11.00
FF14-22 □-R11B	22	13.00	11.60	10.50	12.50	11.50
FF14-24 □-R11B	24	14.00	12.60	11.50	13.50	12.50
FF14-26 □-R11B	26	15.00	13.60	12.50	14.50	13.50
FF14-28 □-R11B	28	16.00	14.60	13.50	15.50	14.50
FF14-30 □-R11B	30	17.00	15.60	14.50	16.50	15.50
FF14-32 □-R11B	32	18.00	16.60	15.50	17.50	16.50
FF14-34 □-R11B	34	19.00	17.60	16.50	18.50	17.50
FF14-40 □-R11B	40	22.00	20.60	19.50	21.50	20.50
FF14-50 □-R11B	50	27.00	25.60	24.50	26.50	25.50



© Specifications and/or dimensions in this catalogue are subject to change without notice.  
 Your catalogue checking the latest specifications with our drawings would be highly appreciated.

**▶ FF14 Mounting Dimensions**
**─ FPC Mounting Dimensions**


※ Regarding dimensions C and D, please refer to the table on page 2.

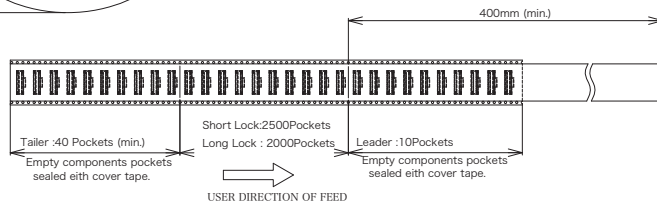
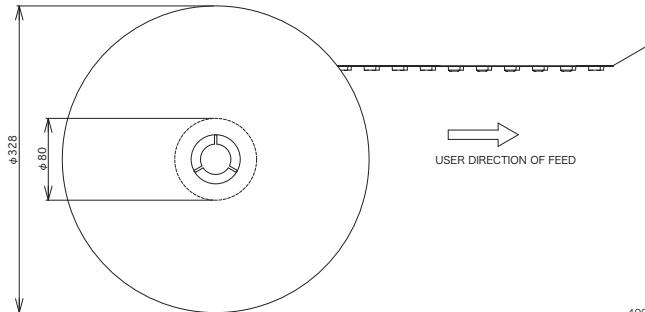
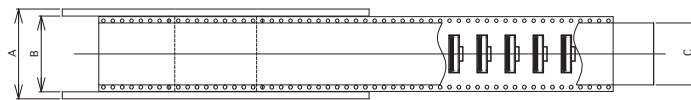
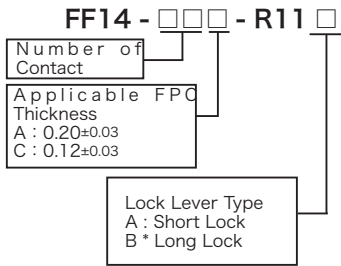
**─ Recommended FPC Dimensions**
**FF14 - □□ A - R11 □**

**FF14 - □□ C - R11 □**


※ Regarding dimensions C and E, please refer to the table on page 2.

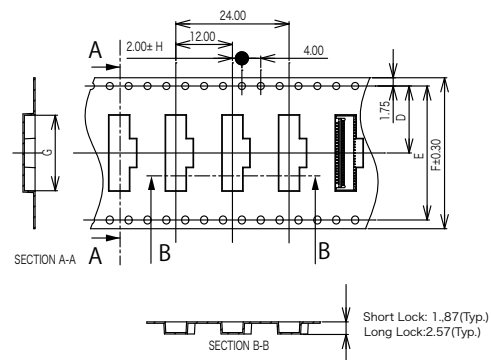
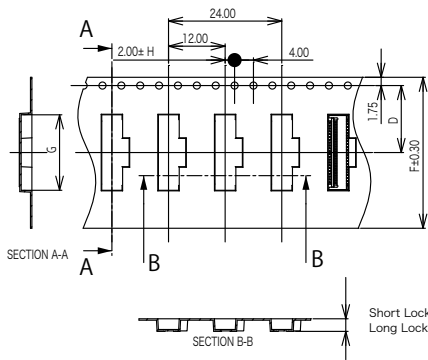
© Specifications and/or dimensions in this catalogue are subject to change without notice.  
 Your catalogue checking the latest specifications with our drawings would be highly appreciated.

# Package Specifications

## Reel Dimensions



## Emboss Tape Dimensions

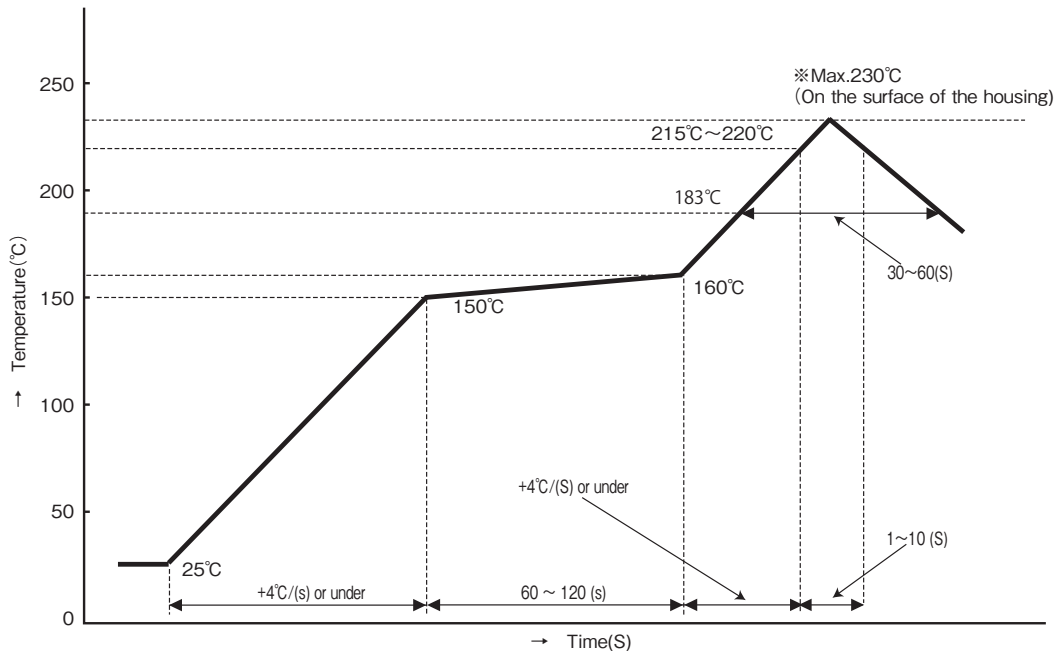
**Type 1**
**Type 2**


Part Number	Number of Contact	A	B	C	D	E	F	G	H	Emboss Type	Package Quantity
FF14-4 □ -R11 □	4	30.4	24.4	21.5	-	-	-	4.3	0.10	Type 1	Short Lock: 2500pcs./Reel
FF14-8 □ -R11 □	8							6.3			
FF14-10 □ -R11 □	10							7.3			
FF14-12 □ -R11 □	12							8.3			
FF14-14 □ -R11 □	14							9.3			
FF14-16 □ -R11 □	16							10.3			
FF14-17 □ -R11 □	17							10.8			
FF14-18 □ -R11 □	18							11.3			
FF14-19 □ -R11 □	19							11.8			
FF14-20 □ -R11 □	20							12.3			
FF14-21 □ -R11 □	21	12.8	0.15	20.2	40.4	44.0	13.3	Type 2	Long Lock: 2000pcs./Reel		
FF14-22 □ -R11 □	22	14.3									
FF14-24 □ -R11 □	24	15.3									
FF14-26 □ -R11 □	26	15.8									
FF14-27 □ -R11 □	27	16.3									
FF14-28 □ -R11 □	28	17.3									
FF14-30 □ -R11 □	30	18.3									
FF14-32 □ -R11 □	32	19.3									
FF14-34 □ -R11 □	34	22.3									
FF14-40 □ -R11 □	40	27.3									
FF14-50 □ -R11 □	50										

© Specifications and/or dimensions in this catalogue are subject to change without notice.  
 Your catalogue checking the latest specifications with our drawings would be highly appreciated.

## ▶ Recommended Reflow Temperature Profiles

### ■ for Leaded Solder Paste



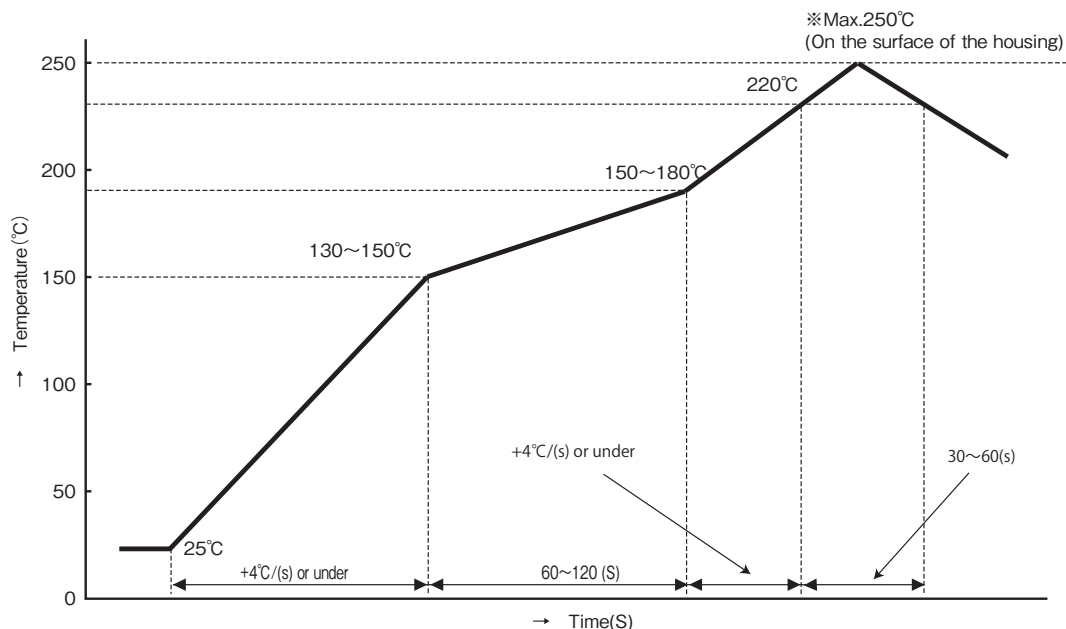
Temperature measurement part : Terminal lead part. But the temperature on the surface of housing is 230°C(max.)

Metal Mask : 0.1~0.12mm

Recommended Solder Paste : Senju Metal Industry Co.,Ltd. Sparkle Paste P/N: OZ63-221CM5-42-10

Reflow Cycle : 2 times

### ■ for Lead Free Solder Paste



Temperature measurement part : Terminal lead part. But the temperature on the surface of husing is 250°C(max.)

Metal Mask : 0.1~0.12mm

Recommended Solder Paste : Senju Metal Industry Co.,Ltd. Eco Solder Paste P/N:M705-GRN360-K2-V

Reflow Cycle : 2 times

## Caution

This reflow temperature profile is for your reference. It might be changed the temperature condition depend on the solder paste, volumne and flax.

© Specifications and/or dimenssions in this catalogue are subject to change without notice.

Your catalogue checking the latest speifications with our drawings would be highly appreciated.