

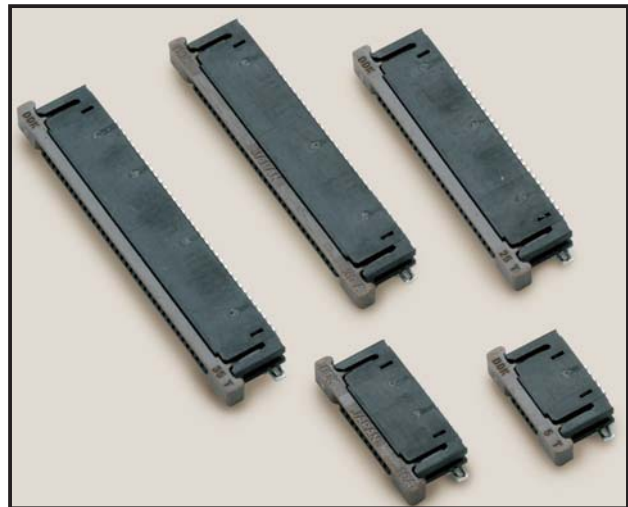
0.5 mm Pitch FPC / FFC Connectors

FF9 Series



OUTLINE

The FF9 series is a slider lock connector of the contact pitch 0.5mm. It suits FPC/FFC of 0.3mm thickness.



APPLICATIONS

Mobile Phones, Notebook Computers, CD-ROM, DVD-ROM, Handheld Devices

FEATURES

1. Low profile, 1.8mm in height. 0.5mm pitch
2. Accepts flat flexible cable(FFC) and flexible printed circuit(FPC)
(FPC thickness: 0.3mm)
3. Retains FFC and FPC well.
ZIF style(Slider style) for excellent durability.
4. High temperature plastic for reflow soldering.
(Applicable to lead-free solder temperature profile)
5. Both of upper contact and lower contact available
6. Tape and reel packaging available (2,500PCS / REEL)

SPECIFICATIONS

Rated Voltage	50V AC (r.m.s.)
Rated Current	0.5A / contact
Dielectric Withstanding Voltage	200V AC(rms) for 1 minute
Insulation Resistance	100M Ω min. at 500V DC
Contact Resistance	30m Ω max.

MATERIAL/FINISH

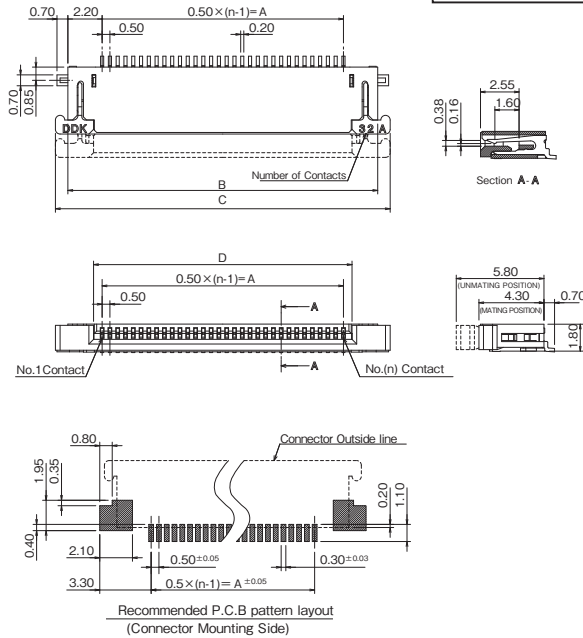


Contact	Copper Alloy / Au(Flash) over Ni Plating
Housing	High Temperature Plastic / (UL94V-0) Color, Black
Slider	High Temperature Plastic / (UL94V-0) Color, Brown
Locking Tab	Copper Alloy / Sn-Ag over Ni Plating

▶ UPPER CONTACT TYPE
FF9- A-R11A

No. of contact

 Slider Shape
A : Standard Type

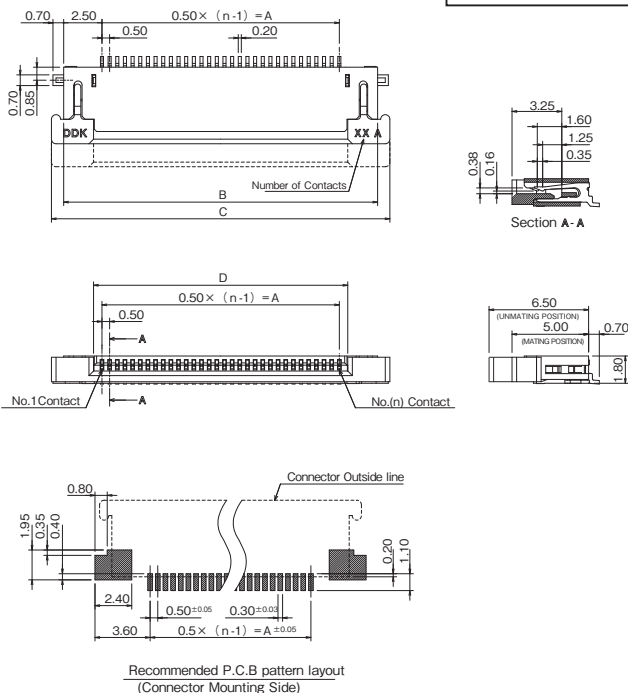
 Contact Plating
1 : Au(Flash) over Ni Plateng


P/N	Dimension	No. of Contacts	A	B	C	D
FF9- 4A-R11A		4	1.50	5.90	7.50	2.60
FF9- 5A-R11A		5	2.00	6.40	8.00	3.10
FF9- 6A-R11A		6	2.50	6.90	8.50	3.60
FF9- 8A-R11A		8	3.50	7.90	9.50	4.60
FF9- 9A-R11A		9	4.00	8.40	10.00	5.10
FF9-10A-R11A		10	4.50	8.90	10.50	5.60
FF9-11A-R11A		11	5.00	9.40	11.00	6.10
FF9-12A-R11A		12	5.50	9.90	11.50	6.60
FF9-13A-R11A		13	6.00	10.40	12.00	7.10
FF9-14A-R11A		14	6.50	10.90	12.50	7.60
FF9-16A-R11A		16	7.50	11.90	13.50	8.60
FF9-18A-R11A		18	8.50	12.90	14.50	9.60
FF9-19A-R11A		19	9.00	13.40	15.00	10.10
FF9-20A-R11A		20	9.50	13.90	15.50	10.60
FF9-21A-R11A		21	10.00	14.40	16.00	11.10
FF9-22A-R11A		22	10.50	14.90	16.50	11.60
FF9-24A-R11A		24	11.50	15.90	17.50	12.60
FF9-26A-R11A		26	12.50	16.90	18.50	13.60
FF9-27A-R11A		27	13.00	17.40	19.00	14.10
FF9-28A-R11A		28	13.50	17.90	19.50	14.60
FF9-30A-R11A		30	14.50	18.90	20.50	15.60
FF9-32A-R11A		32	15.50	19.90	22.30	16.60
FF9-34A-R11A		34	16.50	20.90	22.50	17.60
FF9-35A-R11A		35	17.00	21.40	23.00	18.10
FF9-36A-R11A		36	17.50	21.90	23.50	18.60
FF9-38A-R11A		38	18.50	22.90	24.50	19.60

FF9- A-R11B

No. of contact

 Slider Shape
B : B Type

 Contact Plating
1 : Au(Flash) over Ni Plateng


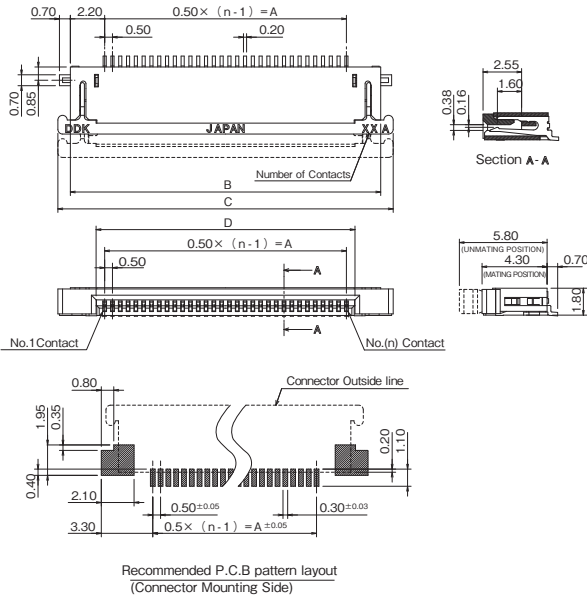
P/N	Dimension	No. of Contacts	A	B	C	D
FF9-40A-R11B		40	19.50	24.50	26.10	20.60
FF9-42A-R11B		42	20.50	25.50	27.10	21.60
FF9-45A-R11B		45	22.00	27.00	28.60	23.10
FF9-50A-R11B		50	24.50	29.50	31.10	25.60
FF9-54A-R11B		54	26.50	31.50	33.10	27.60
FF9-57A-R11B		57	28.00	33.00	34.60	29.10

© Specifications and/or dimensions in this catalogue are subject to change without notice.
Your catalogue checking the latest specifications with our drawings would be highly appreciated.

LOWER CONTACT TYPE
FF9- B-R11A

No. of contact

 Slider Shape
A : Standard Type

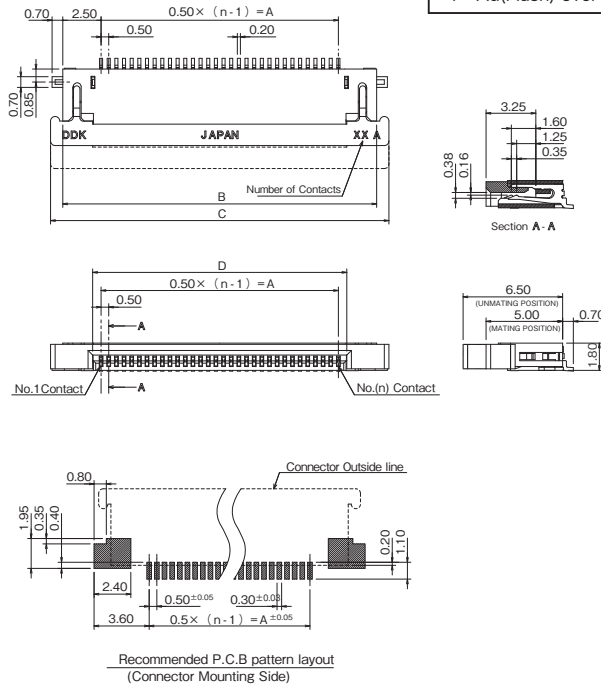
 Contact Plating
1 : Au(Flash) over Ni Plateng


P/N	Dimension	No. of Contacts	A	B	C	D
FF9- 6B-R11A		6	2.50	6.90	8.50	3.60
FF9- 8B-R11A		8	3.50	7.90	9.50	4.60
FF9-16B-R11A		16	7.50	11.90	13.50	8.60
FF9-18B-R11A		18	8.50	12.90	14.50	9.60
FF9-20B-R11A		20	9.50	13.90	15.50	10.60
FF9-24B-R11A		24	11.50	15.90	17.50	12.60
FF9-26B-R11A		26	12.50	16.90	18.50	14.10
FF9-27B-R11A		27	13.00	17.40	19.00	14.60
FF9-30B-R11A		30	14.50	18.90	20.50	15.60
FF9-32B-R11A		32	15.50	19.90	22.30	16.60

FF9- B-R11B

No. of contact

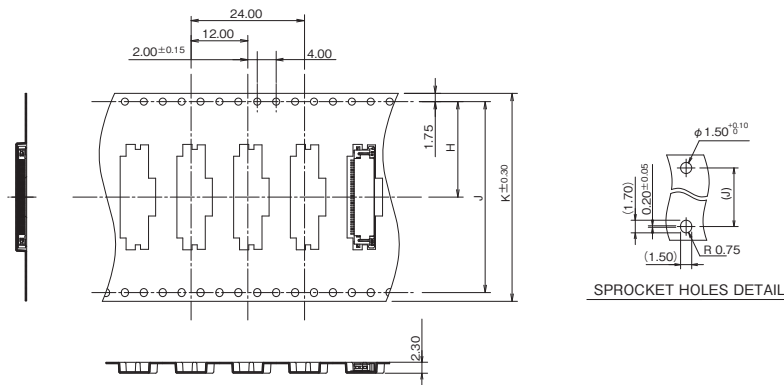
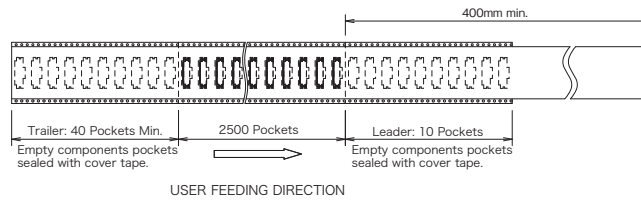
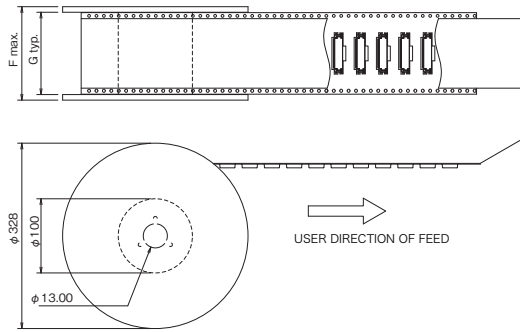
 Slider Shape
B : B Type

 Contact Plating
1 : Au(Flash) over Ni Plateng


P/N	Dimension	No. of Contacts	A	B	C	D
FF9-40B-R11B		40	19.50	24.50	26.10	20.60
FF9-42B-R11B		42	20.50	25.50	27.10	21.60
FF9-50B-R11B		50	24.50	29.50	31.10	25.60
FF9-54B-R11B		54	26.50	31.50	33.10	27.60

© Specifications and/or dimensions in this catalogue are subject to change without notice.
Your catalogue checking the latest specifications with our drawings would be highly appreciated.

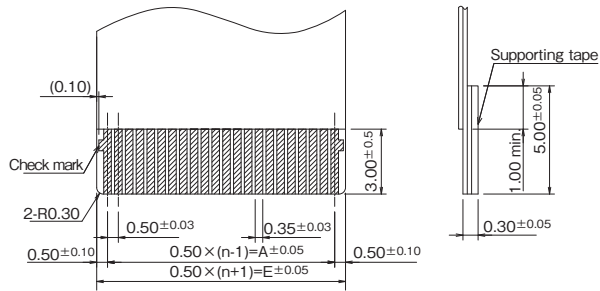
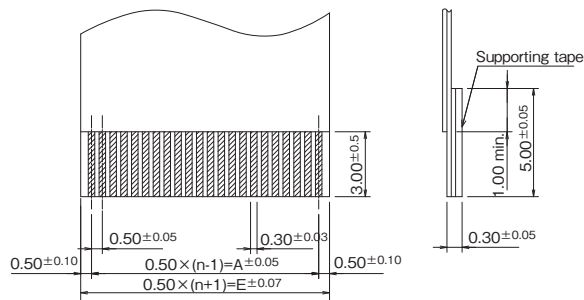
EMBOSS TAPE DIMENSIONS



P/N	Dimension	No. of Contacts	F	G	H	J	K
FF9- 4□-R11A		4	30.4	24.4	11.5	-	24.0
FF9- 5□-R11A		5					
FF9- 6□-R11A		6					
FF9- 8□-R11A		8					
FF9- 9□-R11A		9					
FF9-10□-R11A		10					
FF9-11□-R11A		11					
FF9-12□-R11A		12					
FF9-13□-R11A		13					
FF9-14□-R11A		14					
FF9-16□-R11A		16					
FF9-18□-R11A		18					
FF9-19□-R11A		19					
FF9-20□-R11A		20					
FF9-21□-R11A		21					
FF9-22□-R11A		22					
FF9-24□-R11A		24					
FF9-26□-R11A		26					
FF9-27□-R11A		27					
FF9-28□-R11A		28					
FF9-30□-R11A		30					
FF9-32□-R11A		32					
FF9-34□-R11A		34					
FF9-35□-R11A		35					
FF9-36□-R11A		36					
FF9-38□-R11A		38					
FF9-40□-R11B		40					
FF9-42□-R11B		42					
FF9-45□-R11B		45					
FF9-50□-R11B		50					
FF9-54□-R11B		54					
FF9-57□-R11B		57					
			62.4	56.4	26.2	52.4	56.0

© Specifications and/or dimensions in this catalogue are subject to change without notice.
 Your catalogue checking the latest specifications with our drawings would be highly appreciated.

▶ APPLICABLE FPC/FFC DIMENSIONS


APPLICABLE FPC DIMENSIONS

APPLICABLE FFC DIMENSIONS

P/N	Dimension	No. of Contacts	A	E
FF9- 6□-R11 A		6	2.50	3.50
FF9- 8□-R11 A		8	3.50	4.50
FF9-16□-R11 A		16	7.50	8.50
FF9-18□-R11 A		18	8.50	9.50
FF9-20□-R11 A		20	9.50	10.50
FF9-24□-R11 A		24	11.50	12.50
FF9-26□-R11 A		26	12.50	13.50
FF9-27□-R11 A		27	13.00	14.00
FF9-30□-R11 A		30	14.50	15.50
FF9-32□-R11 A		32	15.50	16.50
FF9-40□-R11 B		40	19.50	20.50
FF9-42□-R11 B		42	20.50	21.50
FF9-50□-R11 B		50	24.50	25.50
FF9-54□-R11 B		54	26.50	27.50