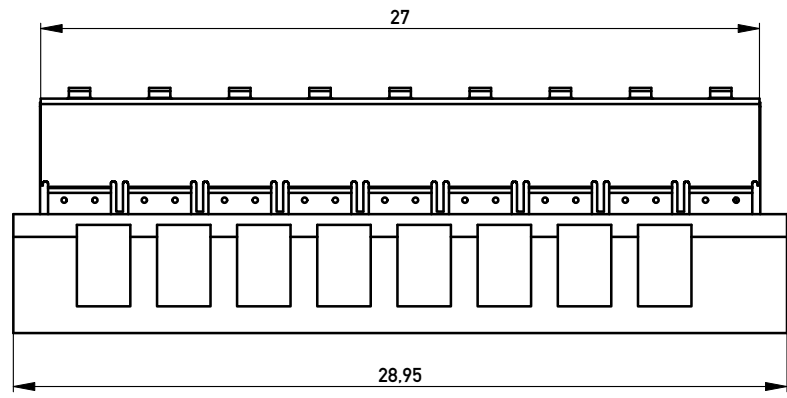
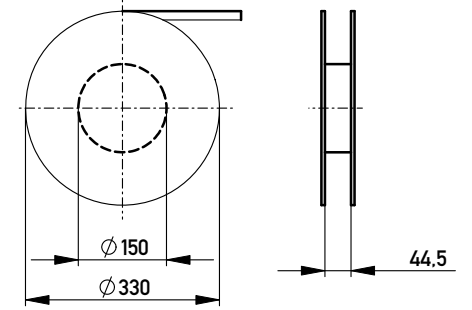
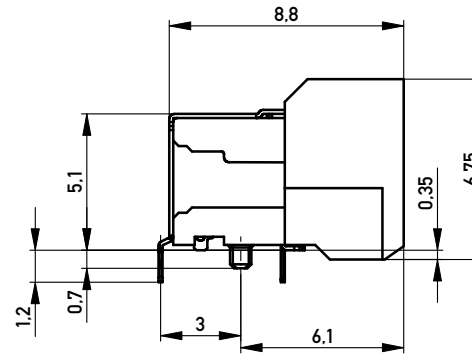
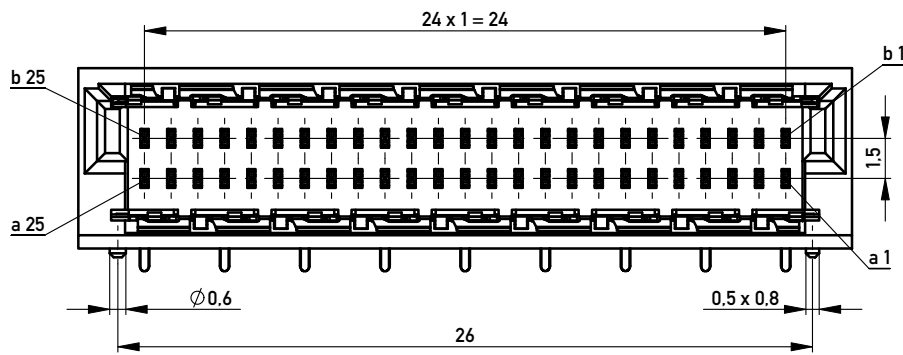


Verpackt in Gurtverpackung - *Tape on Reel Packaging*
 Verpackungseinheit: 400 Stück - *Packaging unit: 400pcs*



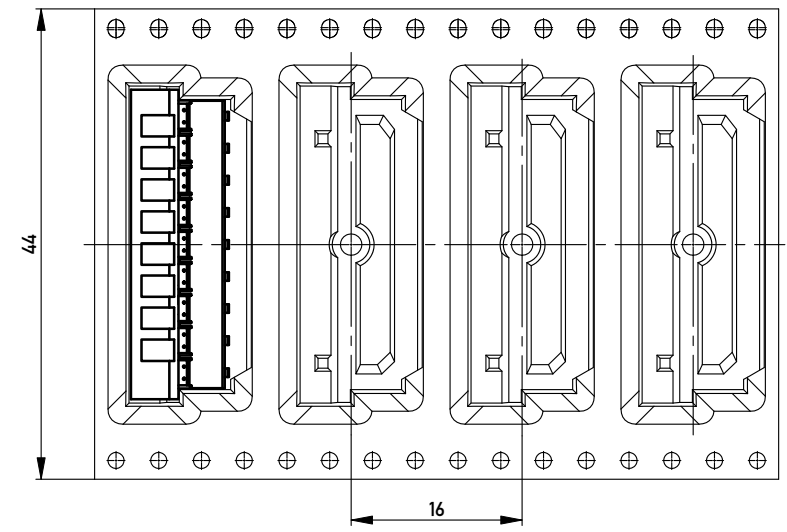
Anforderungsstufe 1
Performance Level 1

Kontaktbereich vergoldet
Mating Area gold plating

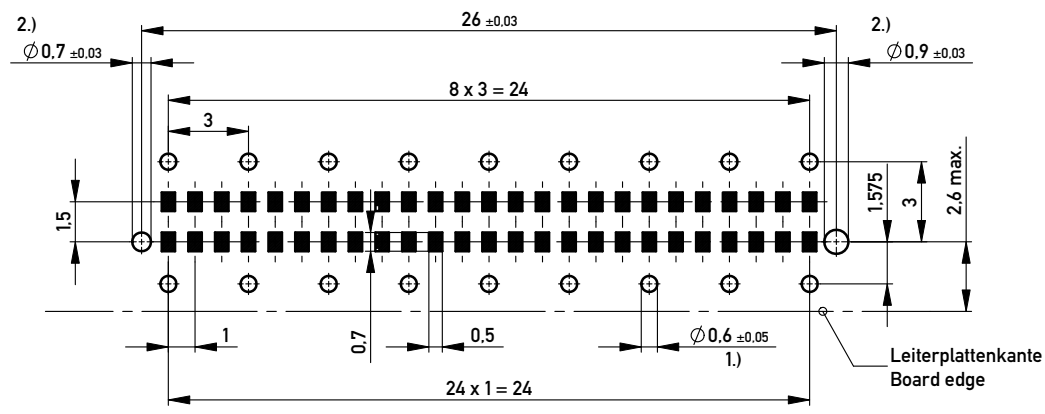
Anschlussbereich verzinkt 4-6 µm
Terminal Area 4-6 µm tin plating

Koplanarität der Anschlüsse ≤ 0.1 mm
Coplanarity Area of Termination ≤ 0.1 mm

Abspulrichtung - *Reel off Direction* →



Leiterplatten-Layout Vorschlag / *PCB-Layout Proposal*



1.) Fertigllochdurchmesser / *Finished Via diameter*
 2.) Durchmesser des Bohrers / *Drill tool*

Information:		Tolerances	Scale 5:1
All rights reserved. Only for Information. To ensure that this is the latest version of this drawing, please contact one of the ERNI companies before using.		All Dimensions in mm	Designation
Subject to modification without prior notice. Drawing will not be updated.		www.ERNI.com	Messerl. 90° SMDTHR 50p BM EMV Male 90° SMDTHR 50co. BM EMV
			374722
c	22.06.2010	Class MSPEED	
Index	Date	I A3	

Copyright by ERNI GmbH. Proprietary notice pursuant to ISO 16016 to be observed.