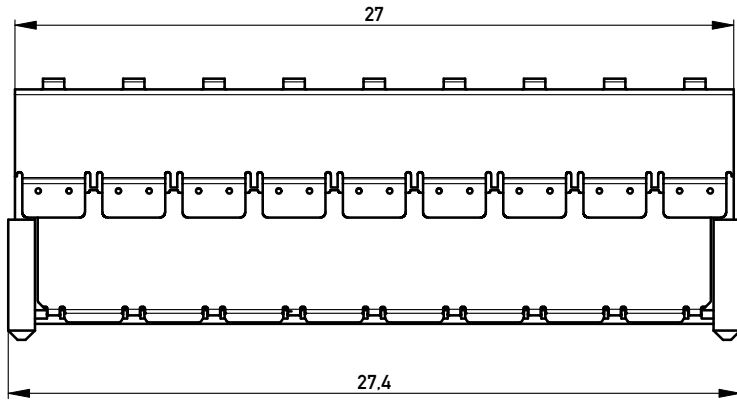
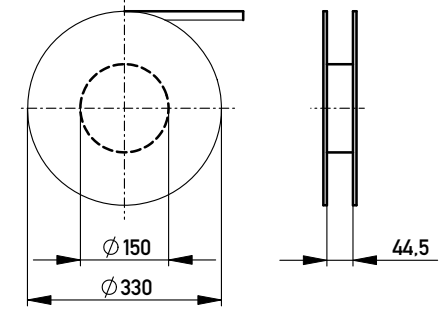
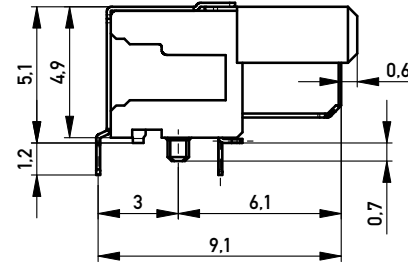
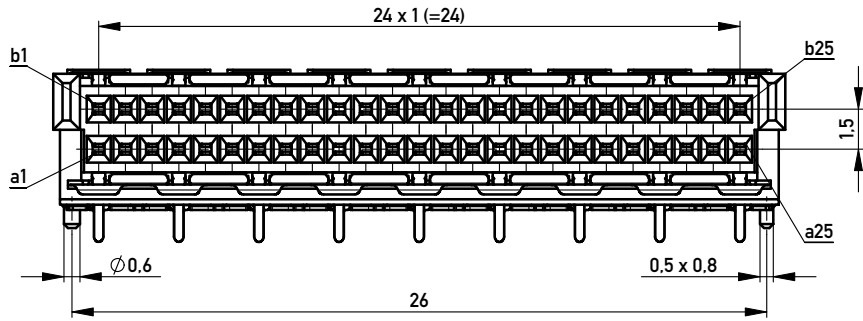


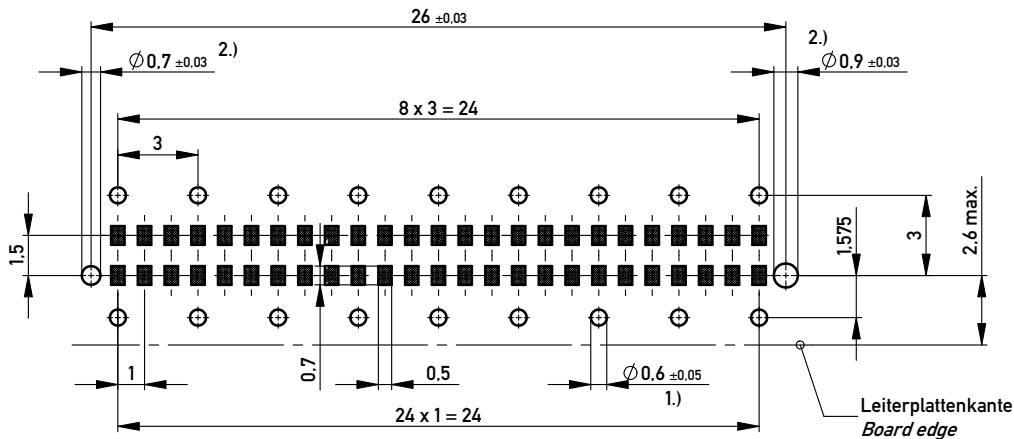
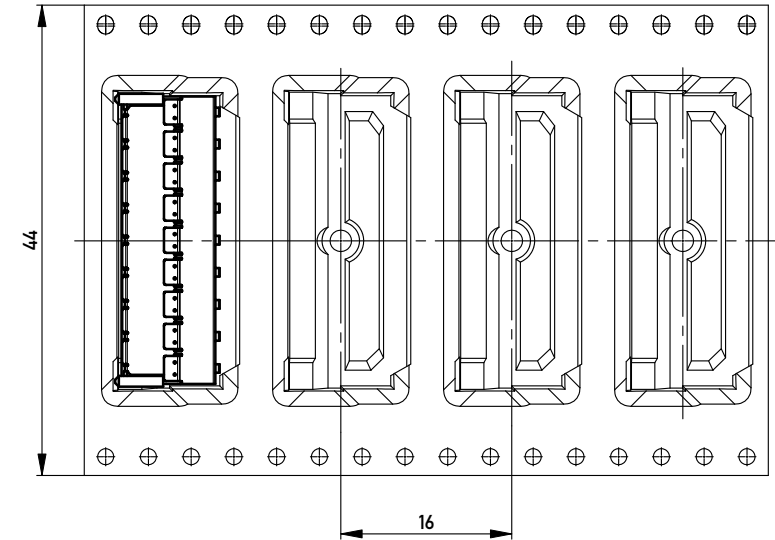
Verpackt in Gurtverpackung - *Tape on Reel Packaging*
 Verpackungseinheit: 500 Stück - *Packaging unit: 500 pcs*



Leiterplatten-Layout Vorschlag / *PCB-Layout Proposal*

Anforderungsstufe 1
Performance Level 1
 Kontaktbereich vergoldet
Mating Area gold plating
 Anschlussbereich verzinkt 4-6 µm
Terminal Area 4-6 µm tin plating
 Koplanarität der Anschlüsse ≤ 0,1 mm
Coplanarity Area of Termination ≤ 0,1 mm

Abspulrichtung - *Reel off Direction* →



1.) Fertigllochdurchmesser / *Finished Via diameter* 2.) Durchmesser des Bohrers / *Drill tool*

Copyright by ERNI GmbH.
 Proprietary notice pursuant to ISO 16016 to be observed.

Information:		Tolerances	All Dimensions in mm	Scale	5:1
All rights reserved. Only for Information. To ensure that this is the latest version of this drawing, please contact one of the ERNI companies before using.		Subject to modification without prior notice. Drawing will not be updated.		Designation	
				Federl. 90° SMDTHR 50p. BM EMV Female 90° SMDTHR 50co. BM EMV	
		www.ERNI.com		374720	
b	21.06.2010			I	
Index	Date			A3	
				Class	MSPEED