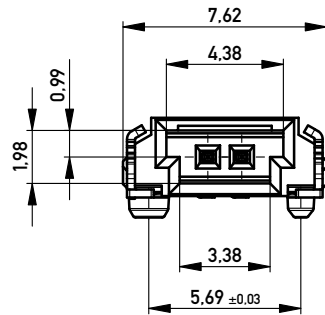
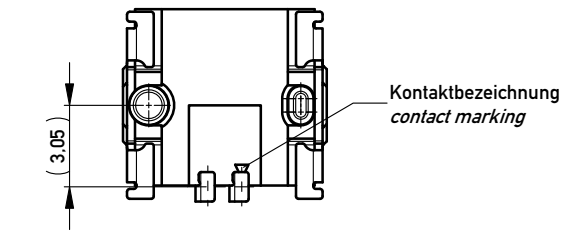


Verpackt in Gurtverpackung - *Tape on Reel Packaging*
 Verpackungseinheit: 1000 Stück - *Packaging unit: 1000 pcs*

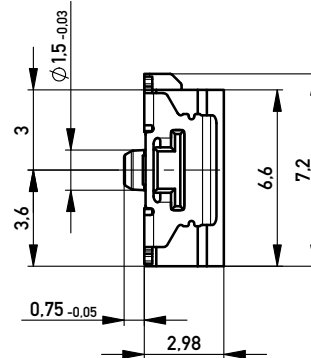
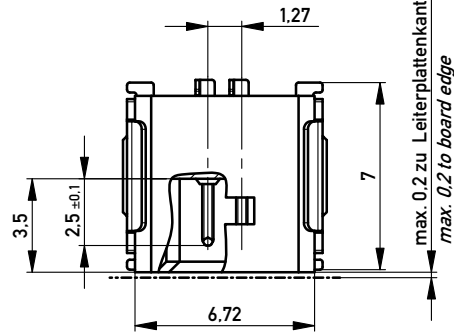
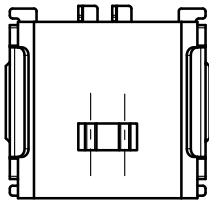
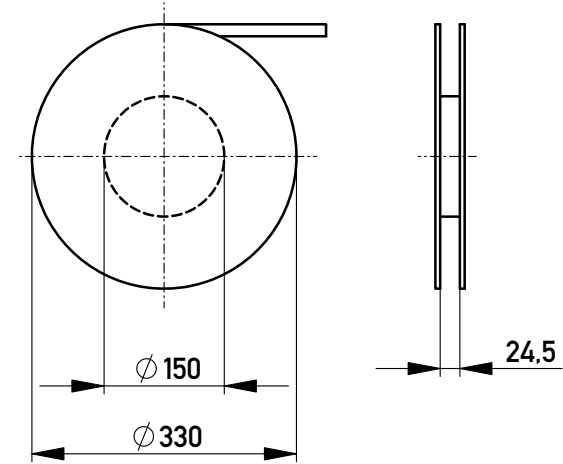


Anforderungsstufe 1
Performance Level 1

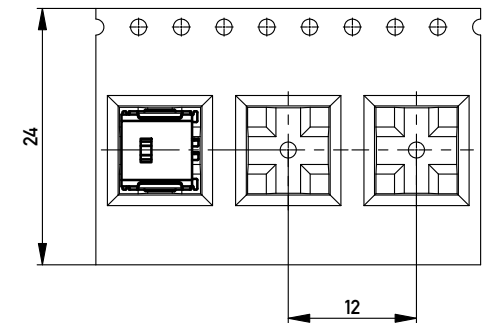
Kontaktbereich vergoldet
Mating Area gold plating

Anschlussbereich verzinkt 4-6 µm
Terminal Area 4-6 µm tin plating

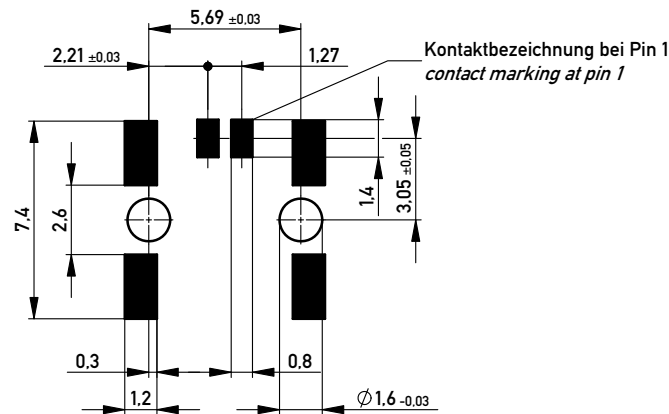
Koplanarität der Anschlüsse ≤ 0.1 mm
Coplanarity Area of Termination ≤ 0.1 mm



Abspulrichtung - *Reel off Direction*



Leiterplatten-Layout für SMT
PCB-Layout for SMT



1) gültig bei Verwendung von Gegenstecker Federleiste 90° in SMD Ausführung
valid for use by mating female connector 90° in SMD version

Information:		Tolerances		Scale	5:1
All rights reserved. Only for Information. To ensure that this is the latest version of this drawing, please contact one of the ERNI companies before using.		All Dimensions in mm		Designation	
Subject to modification without prior notice. Drawing will not be updated.				1.27 SRC A, 2-polig 1.27 SRC A, 2-pin	
www.ERNI.com		214011		I A3	
c	29.08.2011	Class		SRCA	
Index	Date				

Copyright by ERNI GmbH
Proprietary notice pursuant to ISO 16106 to be observed.