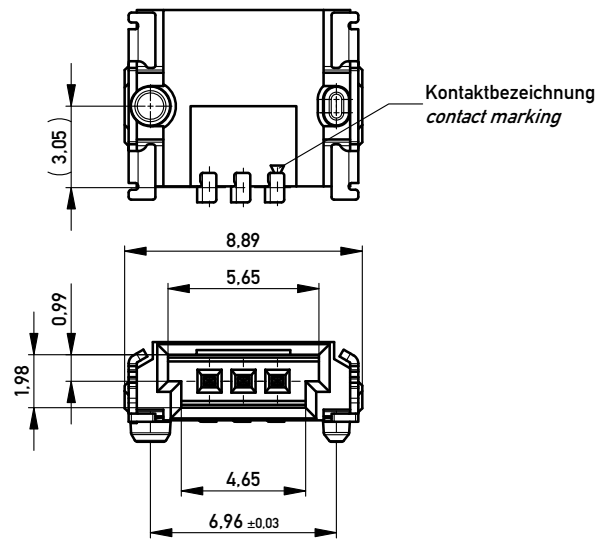


Verpackt in Gurtverpackung - *Tape on Reel Packaging*
 Verpackungseinheit: 1000 Stück - *Packaging unit: 1000 pcs*

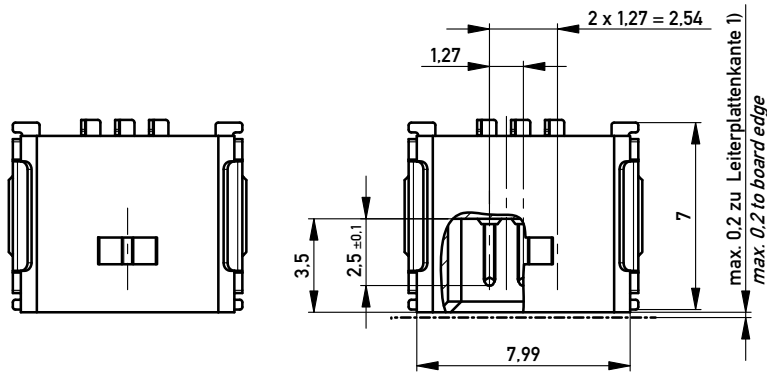
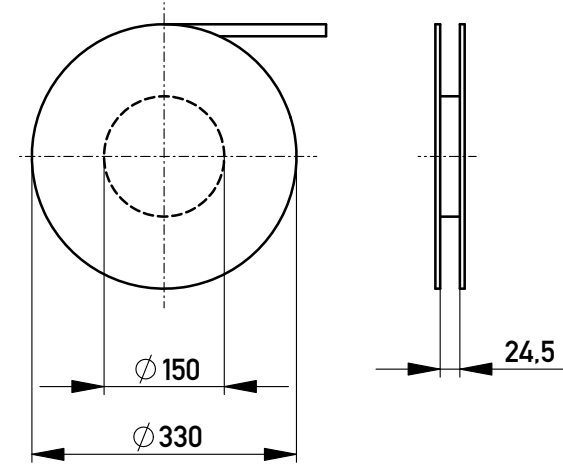


Anforderungsstufe 1
Performance Level 1

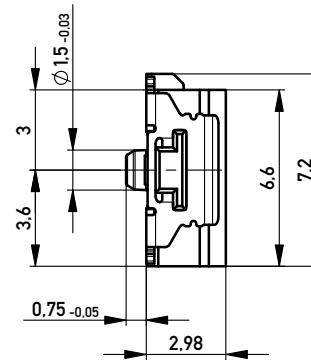
Kontaktbereich vergoldet
Mating Area gold plating

Anschlussbereich verzinkt 4-6 µm
Terminal Area 4-6 µm tin plating

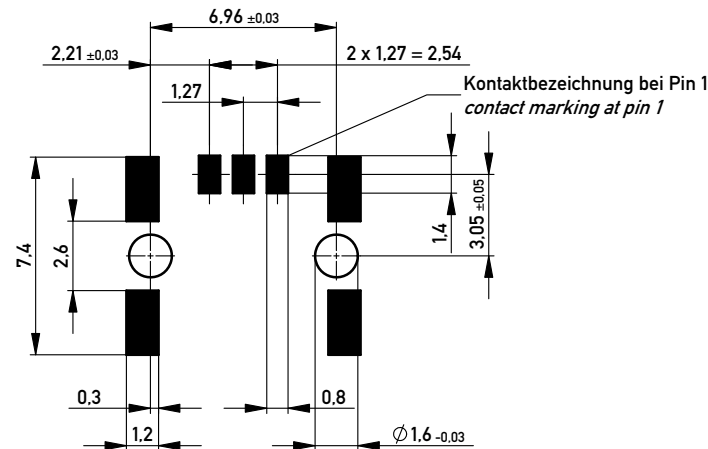
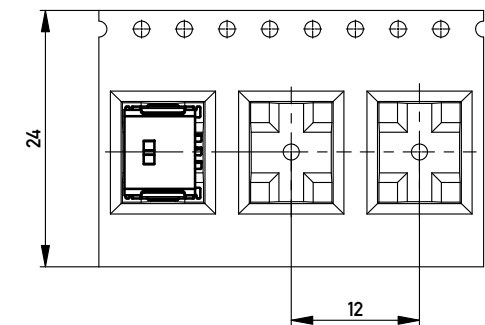
Koplanarität der Anschlüsse ≤ 0,1 mm
Coplanarity Area of Termination ≤ 0,1 mm



Leiterplatten-Layout für SMT
PCB-Layout for SMT



Abspulrichtung - *Reel off Direction*



1) gültig bei Verwendung von Gegenstecker Federleiste 90° in SMD Ausführung
valid for use by mating female connector 90° in SMD version

Information:	Tolerances	 All Dimensions in mm	Scale	5:1
	All rights reserved. Only for Information. To ensure that this is the latest version of this drawing, please contact one of the ERNI companies before using.		Subject to modification without prior notice. Drawing will not be updated.	Designation
c Index	30.08.2011 Date	www.ERNI.com	234450	I A3
			Class	SRCA

Copyright by ERNI GmbH
 Proprietary notice pursuant to ISO 16106 to be observed.