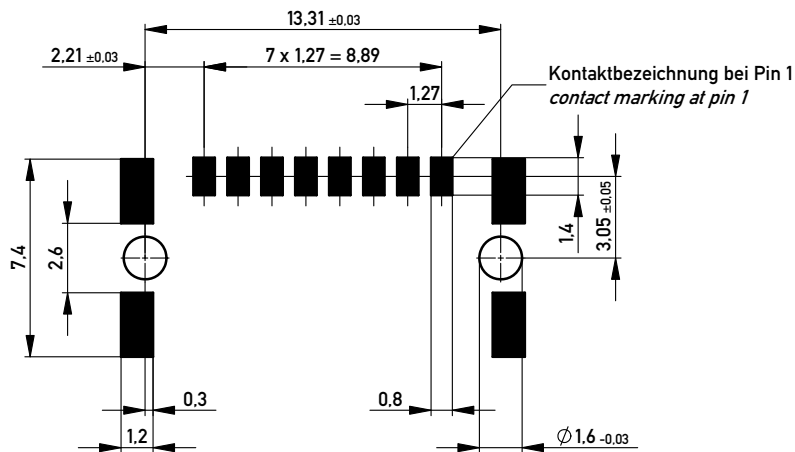


Leiterplatten-Layout für SMT
PCB-Layout for SMT

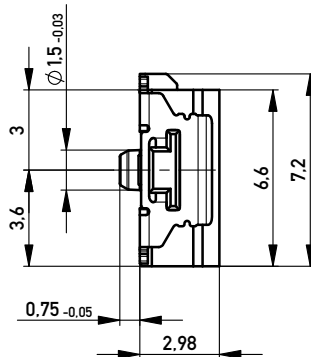


Anforderungsstufe 1
Performance Level 1

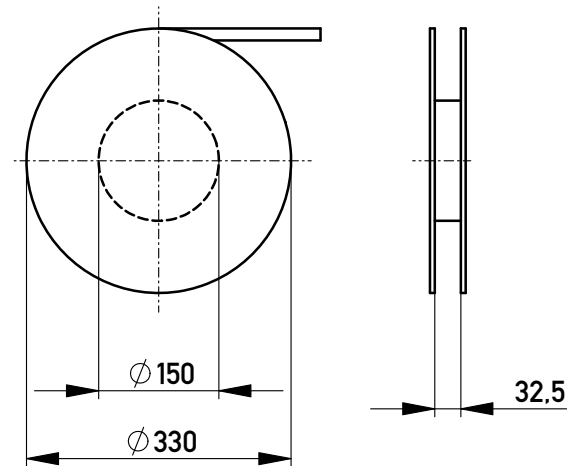
Kontaktbereich vergoldet
Mating Area gold plating

Anschlussbereich verzinkt 4-6 µm
Terminal Area 4-6 µm tin plating

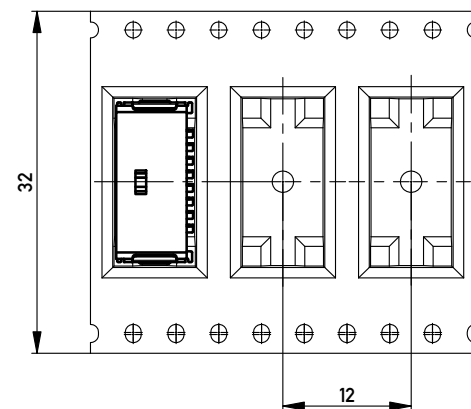
Koplanarität der Anschlüsse ≤ 0,1 mm
Coplanarity Area of Termination ≤ 0,1 mm



Verpackt in Gurtverpackung - Tape on Reel Packaging
Verpackungseinheit: 1000 Stück - Packaging unit: 1000 pcs



Abspulrichtung - Reel off Direction



1) gültig bei Verwendung von Gegenstecker Federleiste 90° in SMD Ausführung
valid for use by mating female connector 90° in SMD version

Copyright by ERNI GmbH
Proprietary notice pursuant to ISO 16016 to be observed.

Information:		Tolerances		Scale	5:1
All rights reserved. Only for Information. To ensure that this is the latest version of this drawing, please contact one of the ERNI companies before using.		All Dimensions in mm		Designation	
Subject to modification without prior notice. Drawing will not be updated.				1,27 SRC A, 8-polig 1,27 SRC A, 8-pin	
www.ERNI.com		214014		I A3	
d	30.08.2011	Class		SRCA	
Index	Date				