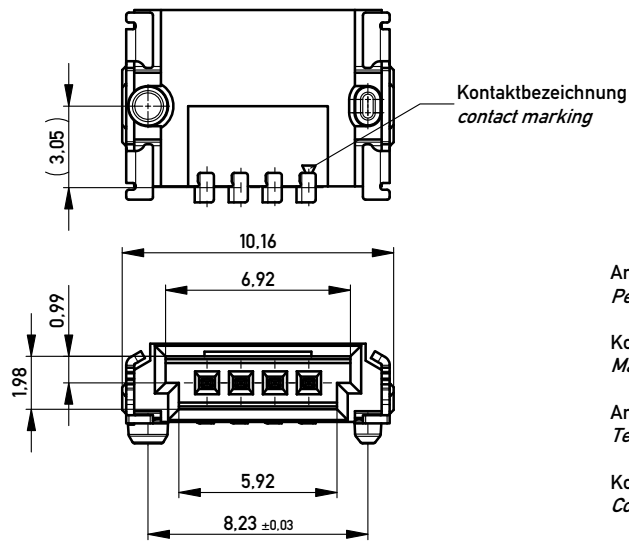


Verpackt in Gurtverpackung - *Tape on Reel Packaging*
 Verpackungseinheit: 1000 Stück - *Packaging unit: 1000 pcs*

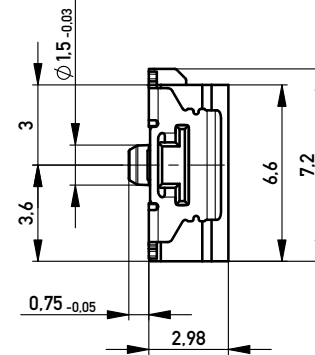
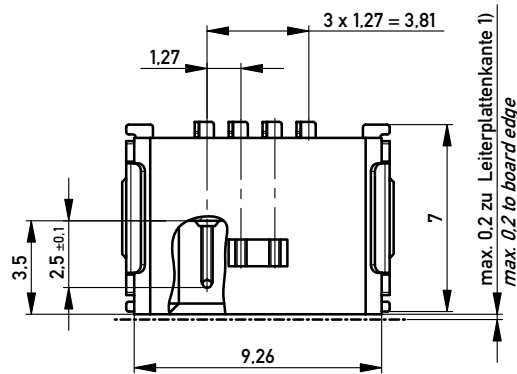
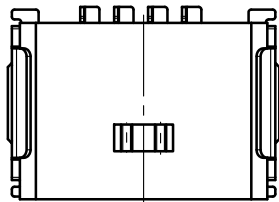
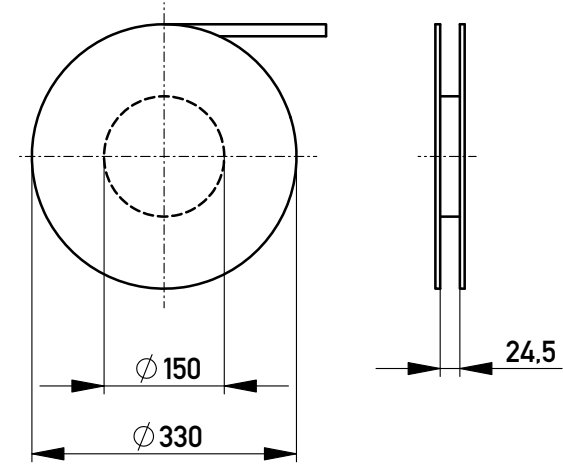


Anforderungsstufe 1
Performance Level 1

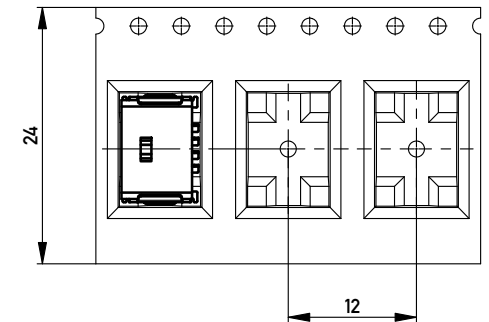
Kontaktbereich vergoldet
Mating Area gold plating

Anschlussbereich verzinkt 4-6 µm
Terminal Area 4-6 µm tin plating

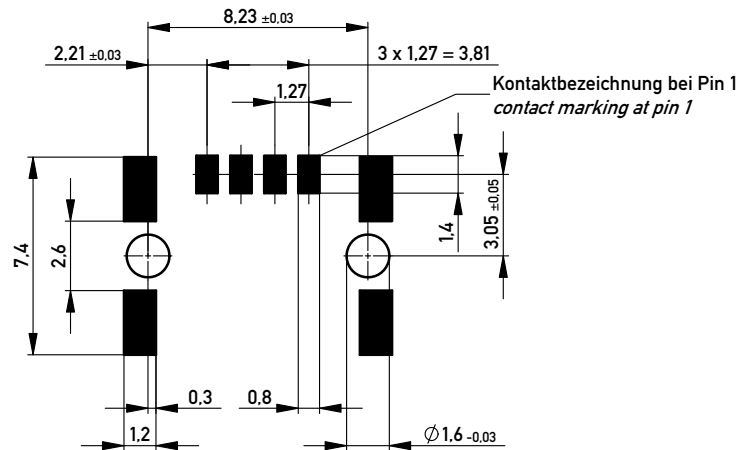
Koplanarität der Anschlüsse ≤ 0,1 mm
Coplanarity Area of Termination ≤ 0,1 mm



Abspulrichtung - *Reel off Direction*



Leiterplatten-Layout für SMT
PCB-Layout for SMT



1) gültig bei Verwendung von Gegenstecker Federleiste 90° in SMD Ausführung
valid for use by mating female connector 90° in SMD version

Information:	Tolerances	 All Dimensions in mm	Scale	5:1
	All rights reserved. Only for Information. To ensure that this is the latest version of this drawing, please contact one of the ERNI companies before using.		Subject to modification without prior notice. Drawing will not be updated.	Designation 1.27 SRC A, 4-polig 1.27 SRC A, 4-pin
Copyright by ERNI GmbH Proprietary notice pursuant to ISO 16106 to be observed.	www.ERNI.com	214012	I A3	
f	30.08.2011		Class	SRCA
Index	Date			