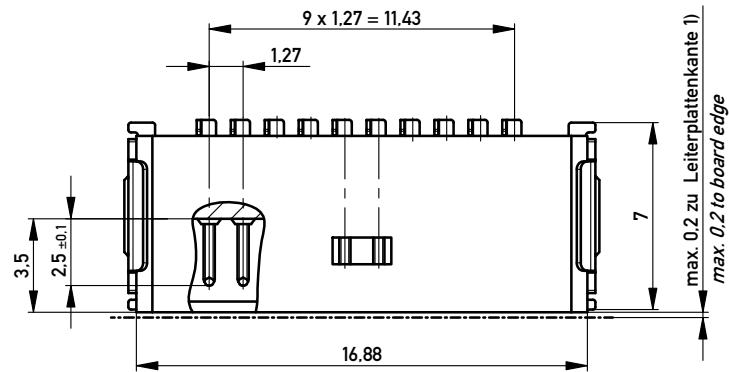


Anforderungsstufe 1  
Performance Level 1

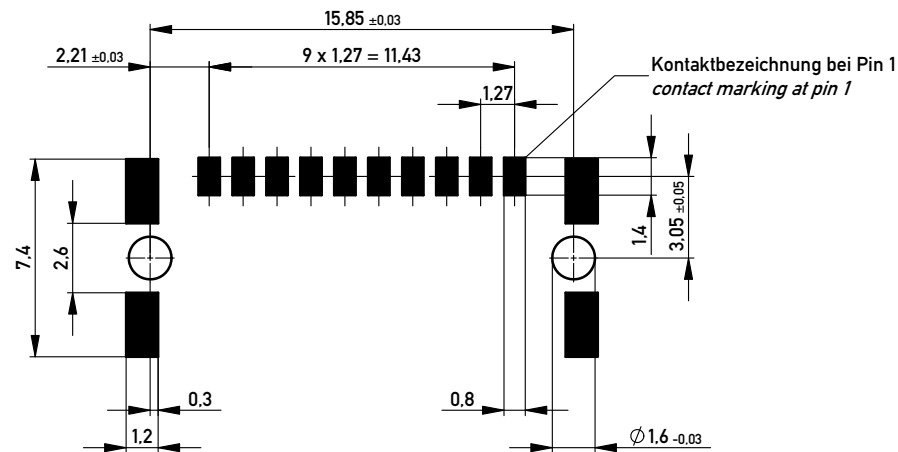
Kontaktbereich vergoldet  
Mating Area gold plating

Anschlussbereich verzinkt 4-6 µm  
Terminal Area 4-6 µm tin plating

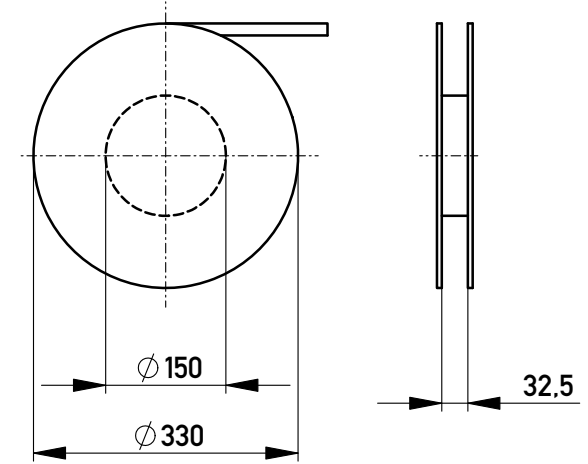
Koplanarität der Anschlüsse ≤ 0,1 mm  
Coplanarity Area of Termination ≤ 0,1 mm



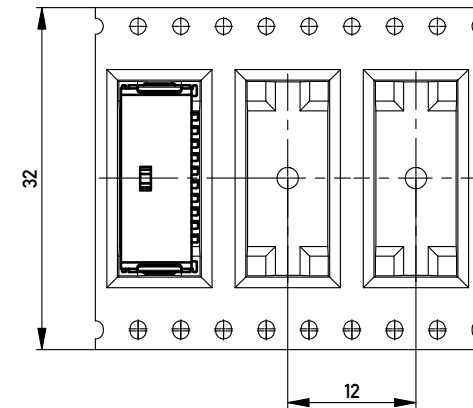
Leiterplatten-Layout für SMT  
PCB-Layout for SMT



Verpackt in Gurtverpackung - Tape on Reel Packaging  
Verpackungseinheit: 1000 Stück - Packaging unit: 1000 pcs



Abspulrichtung - Reel off Direction



1) gültig bei Verwendung von Gegenstecker Federleiste 90° in SMD Ausführung  
valid for use by mating female connector 90° in SMD version

Information:	Tolerances	 All Dimensions in mm	Scale	5:1
	All rights reserved. Only for Information. To ensure that this is the latest version of this drawing, please contact one of the ERNI companies before using.			
Subject to modification without prior notice. Drawing will not be updated.	Designation			
	<b>1.27 SRC A, 10-polig</b> <b>1,27 SRC A, 10-pin</b>			
www.ERNI.com		<b>234464</b>		I
a	30.08.2011	Class		A3
Index	Date	SRCA		

Copyright by ERNI GmbH  
Proprietary notice pursuant to ISO 16016 to be observed.