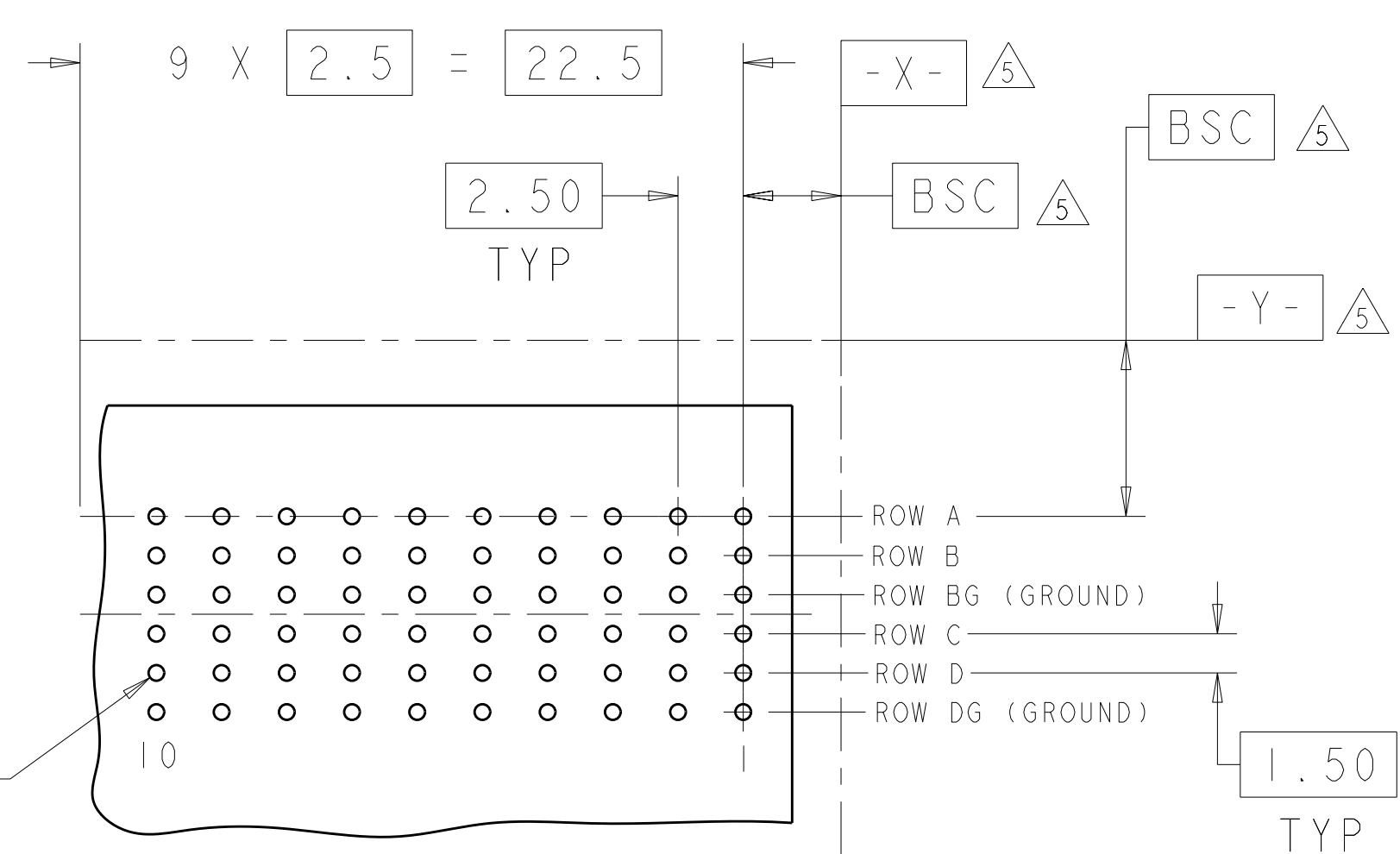
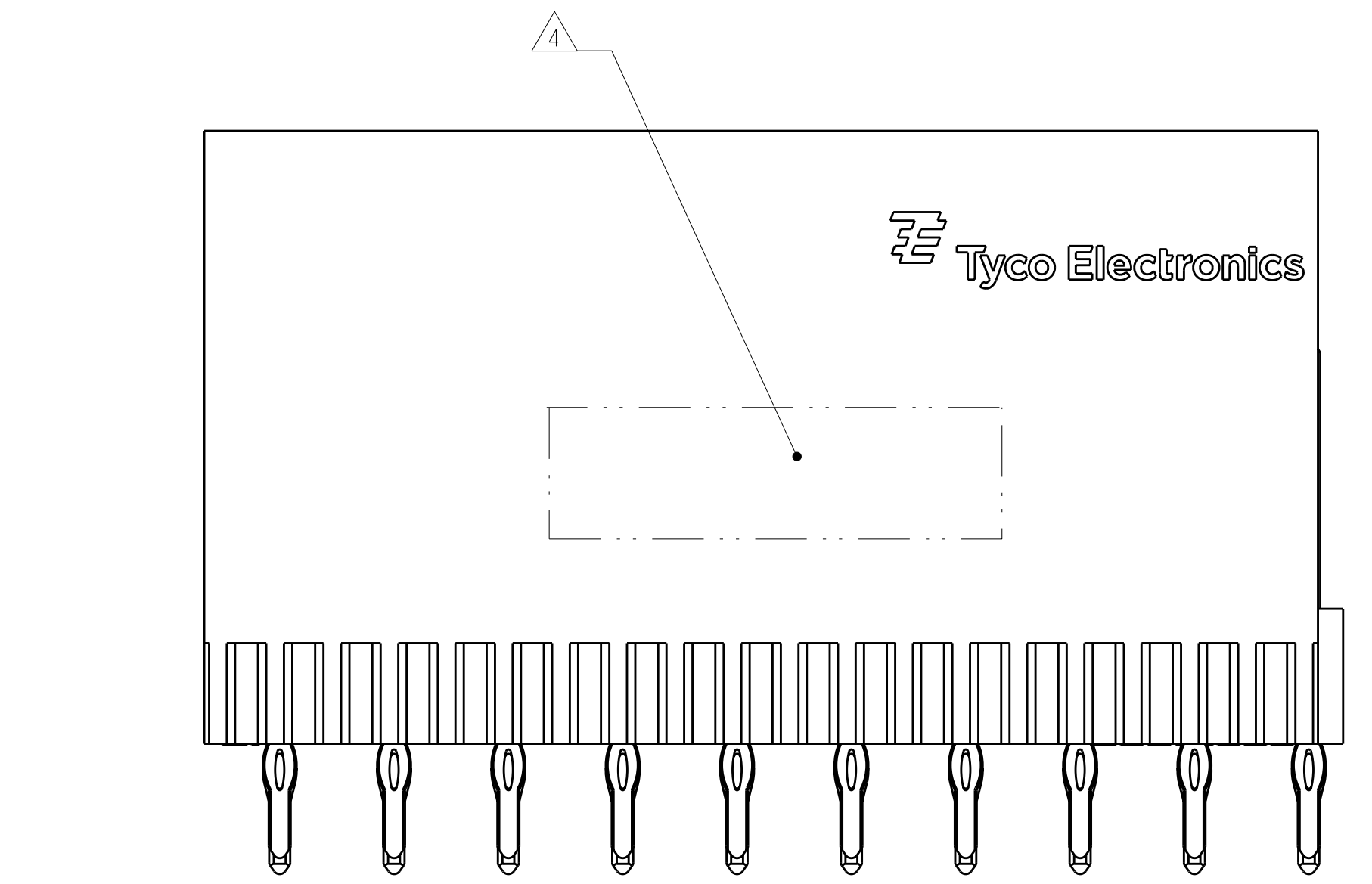
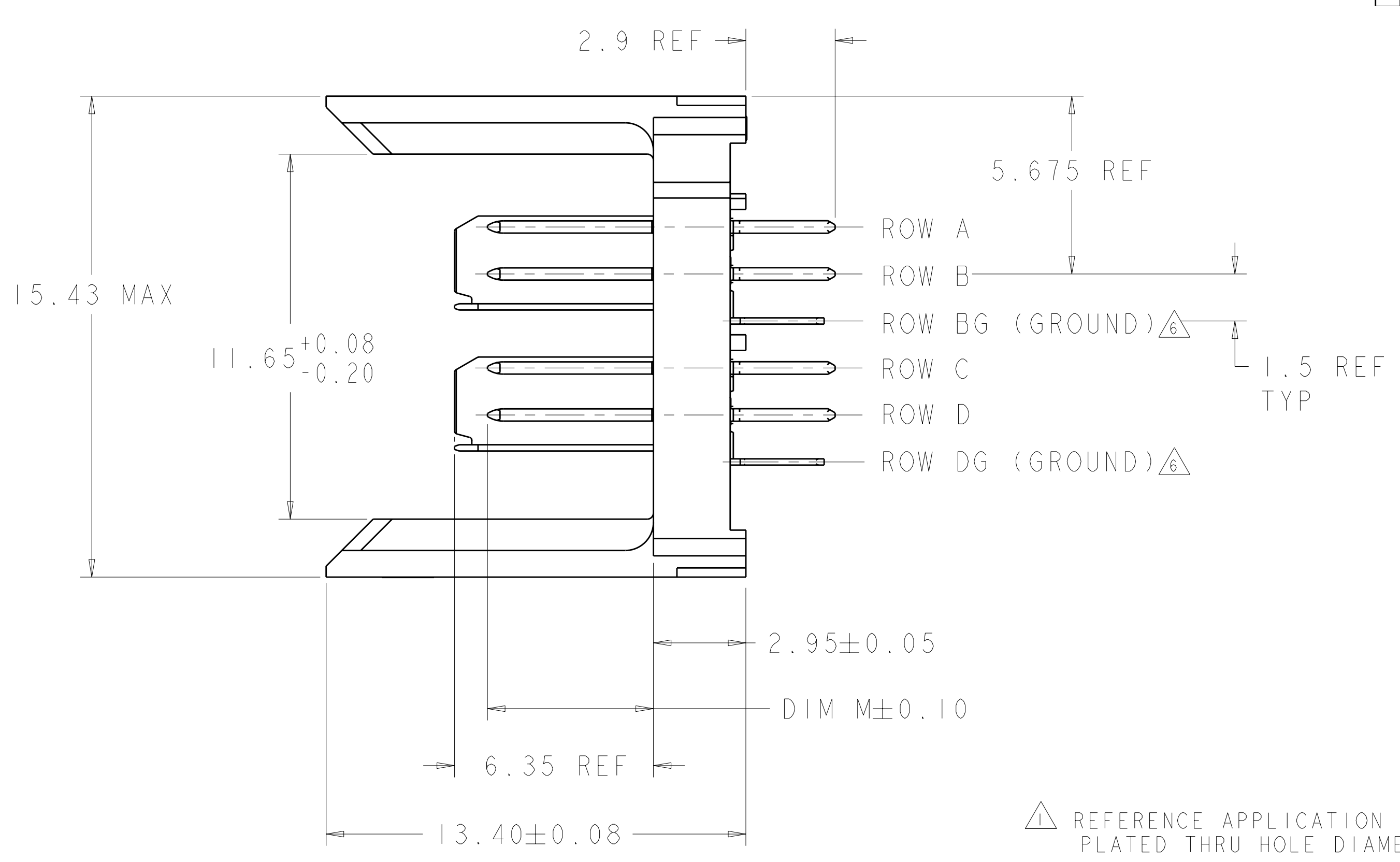
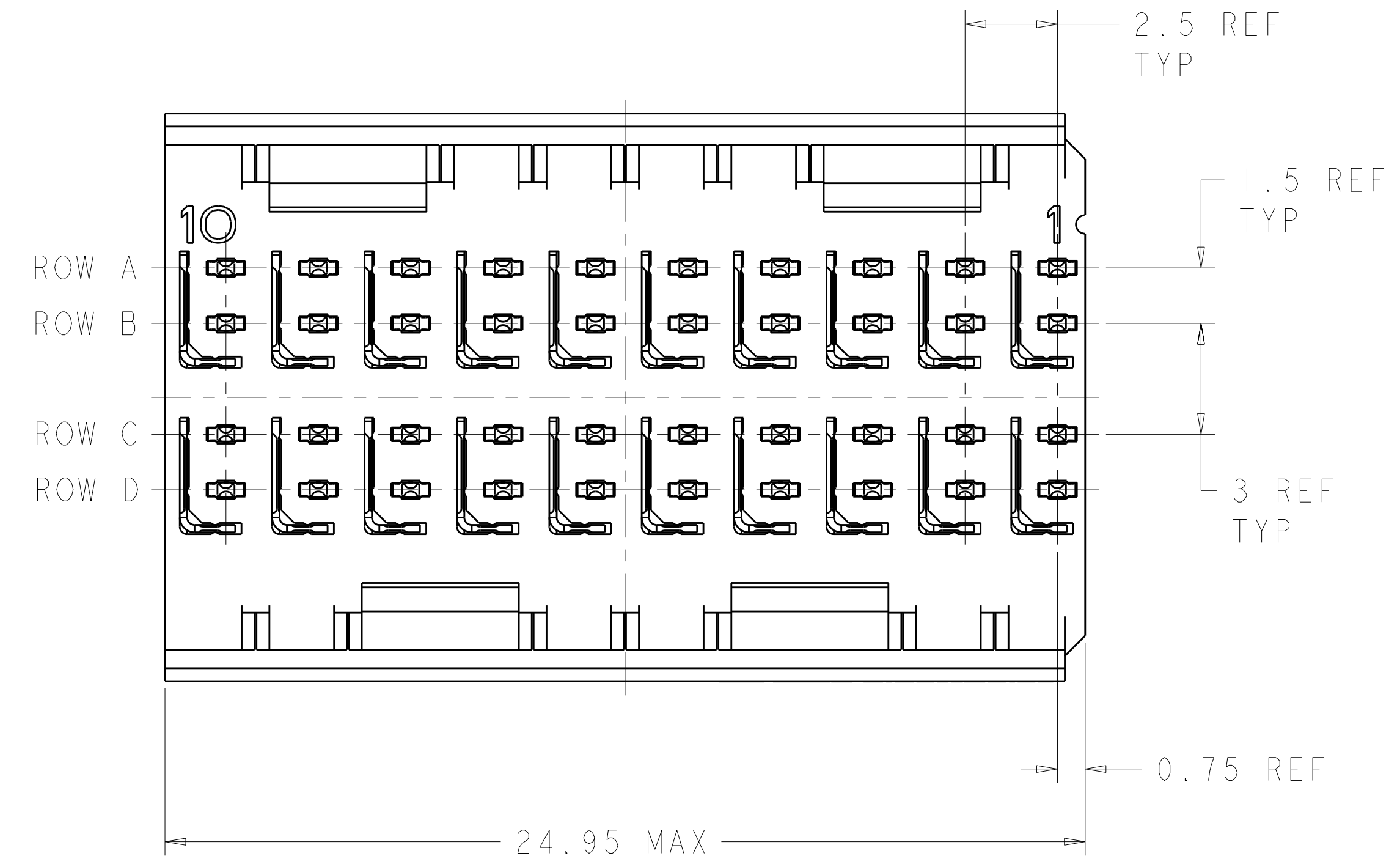


LOC		DIST		REVISIONS			
AD	00	REV	DATE	BY	CHK	APP	
C		REV PER ECO-11-007577	13APR2011	RKC	JE		



⊕ ∅0.05 X Y  
 ALL PLATED THRU HOLES

RECOMMENDED PC BOARD LAYOUT, BACKPLANE, COMPONENT SIDE SHOWN SCALE 4:1

- △ REFERENCE APPLICATION SPEC 114-13059 FOR RECOMMENDED PLATED THRU HOLE DIAMETER AND PLATING THICKNESSES.
  - △ MATERIAL:  
 CONTACT AND SHIELD - PHOSPHOR BRONZE  
 HOUSING - GLASS FILLED POLYESTER, UL 94V-0.
  - △ FINISH: SIGNAL AND GROUND CONTACTS:  
 MATING AREA: MEETS THE PERFORMANCE REQUIREMENTS OF PRODUCT SPECIFICATION 108-2055; BASED ON TELCORDIA GR-1217-CORE, APPLICATIONS IN UNCONTROLLED ENVIRONMENTS  
 COMPLIANT PIN AREA: 0.5µm MIN BRIGHT TIN-LEAD OVER BASE PLATING
  - △ CONNECTOR MARKED WITH PART NUMBER AND DATE CODE.
  - △ DATUMS AND BASIC DIMENSIONS ESTABLISHED BY CUSTOMER.
  - △ THE TWO GROUNDS IN EACH COLUMN ARE COMMONED.
7. CONTACT AREA LUBRICATED WITH BELLCORE APPROVED LUBRICANT. TECHNICAL REFERENCE: GR-1217-CORE, ISSUE 1, NOVEMBER 1995.

3.80	1469025-2
5.30	1469025-1
DIM M	PART NUMBER

THIS DRAWING IS A CONTROLLED DOCUMENT.		OWN R. S. KLINE 11OCT2000	TE Connectivity	
DIMENSIONS: mm		CHK R. PATTERSON 16AUG2007	STE	
TOLERANCES UNLESS OTHERWISE SPECIFIED:		APVD N. SCHROLL 13SEP01	TE Connectivity	
9 PLC ±	3 PLC ±	NAME HEADER ASSEMBLY, 2 PAIR, 2.5mm TAIL, 25mm, HMZd		
5 PLC ±	4 PLC ±	PRODUCT SPEC		
ANGLES ±	FINISH ±	APPLICATION SPEC		
MATERIAL	FINISH	SIZE CAGE CODE DRAWING NO	RESTRICTED TO	
		A1100779C=1469025		
CUSTOMER DRAWING		SCALE 8:1	SHEET 1 OF 1	REV C