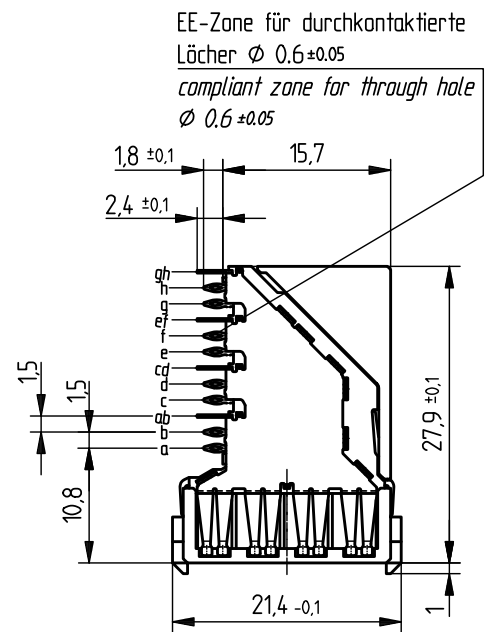
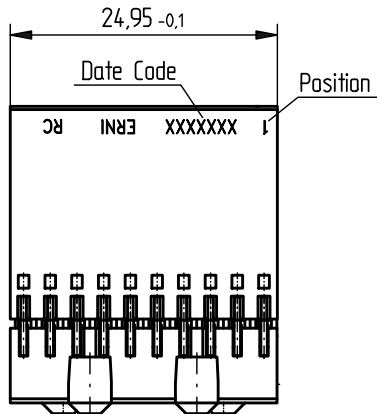
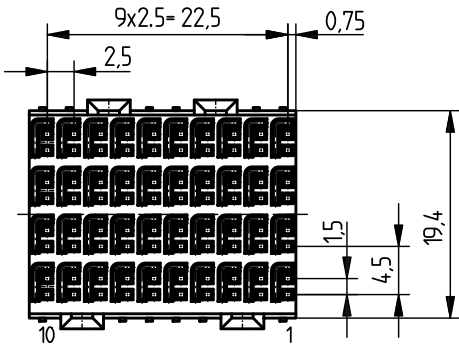
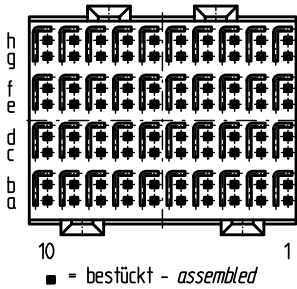
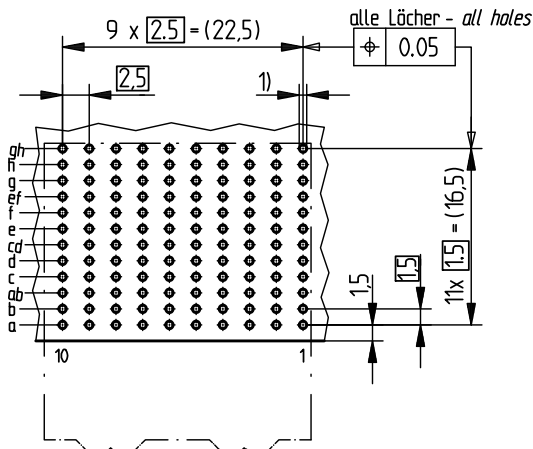


Bestückungsplan - contact layout



Lochbild für Leiterplatte Board hole pattern  
(Bestückungsseite) (Component mounting side)



- 1)  $\varnothing 0.6 \pm 0.05$  Durchmesser des metallisierten Loches  
 $\varnothing 0.6 \pm 0.05$  Diameter of finished plated-through hole
- $\varnothing 0.7 \pm 0.02$  Bohrungsdurchmesser des Loches  
 $\varnothing 0.7 \pm 0.02$  Diameter of drilled hole

Schichtaufbau im metallisierten Loch  
siehe Zeichnung 114406

Metal plating of plated-through hole  
see drawing 114406

Information: Anforderungsstufe 237 / class 237	Tolerances		Scale	2:1
	All rights reserved. Only for information. To insure that this is the latest version of this drawing, please contact one of the ERNI companies before using.		Designation ERmetZD Federleiste 4-10 ERmetZD Fem. Connector 4-10	
Consider protection memo from DIN 34	Subject to modification without prior notice. Drawing will not be updated.		www.ERNI.com	
	Date		973032	
Date		ERMZD		
M:00068447.SZA				