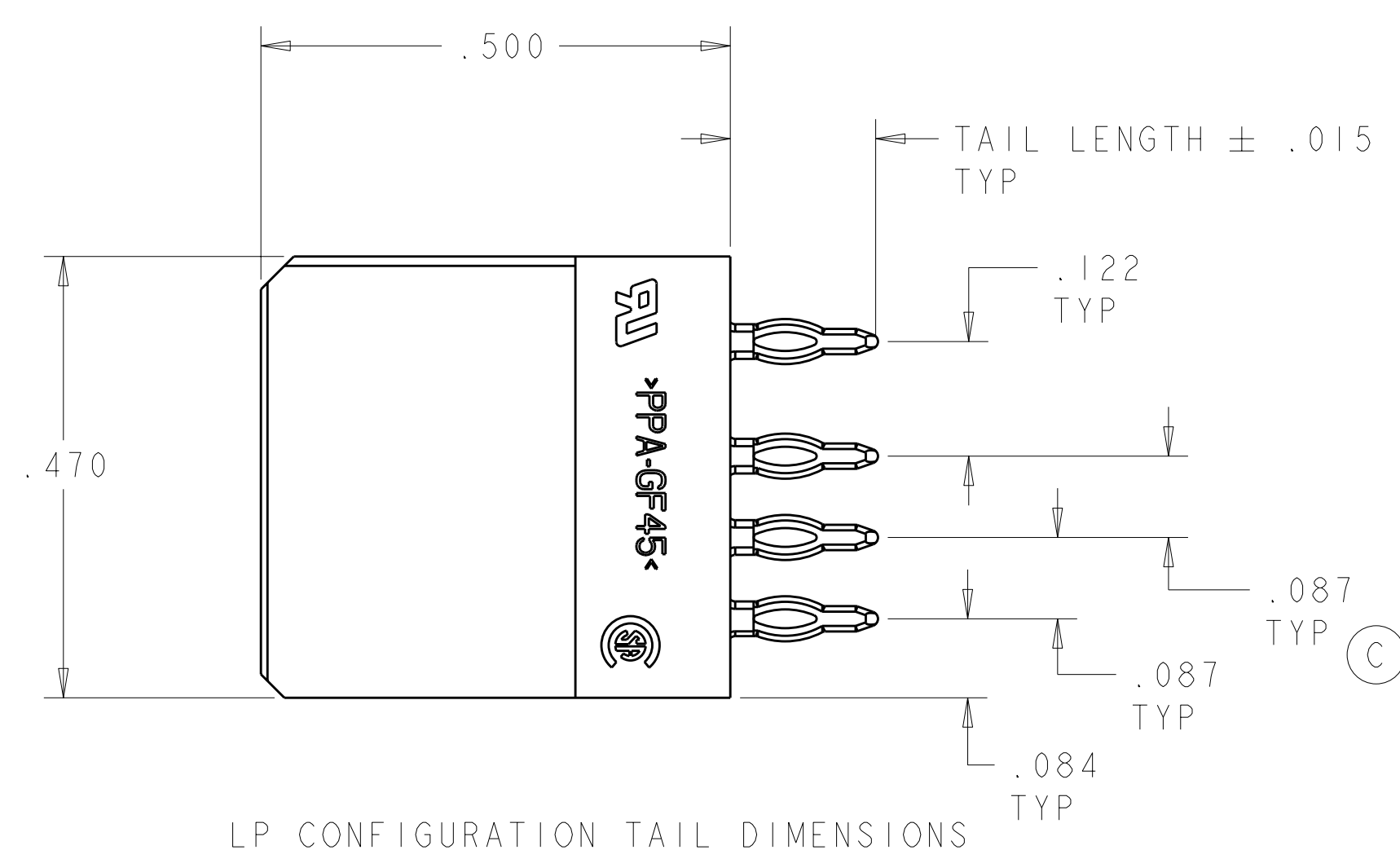
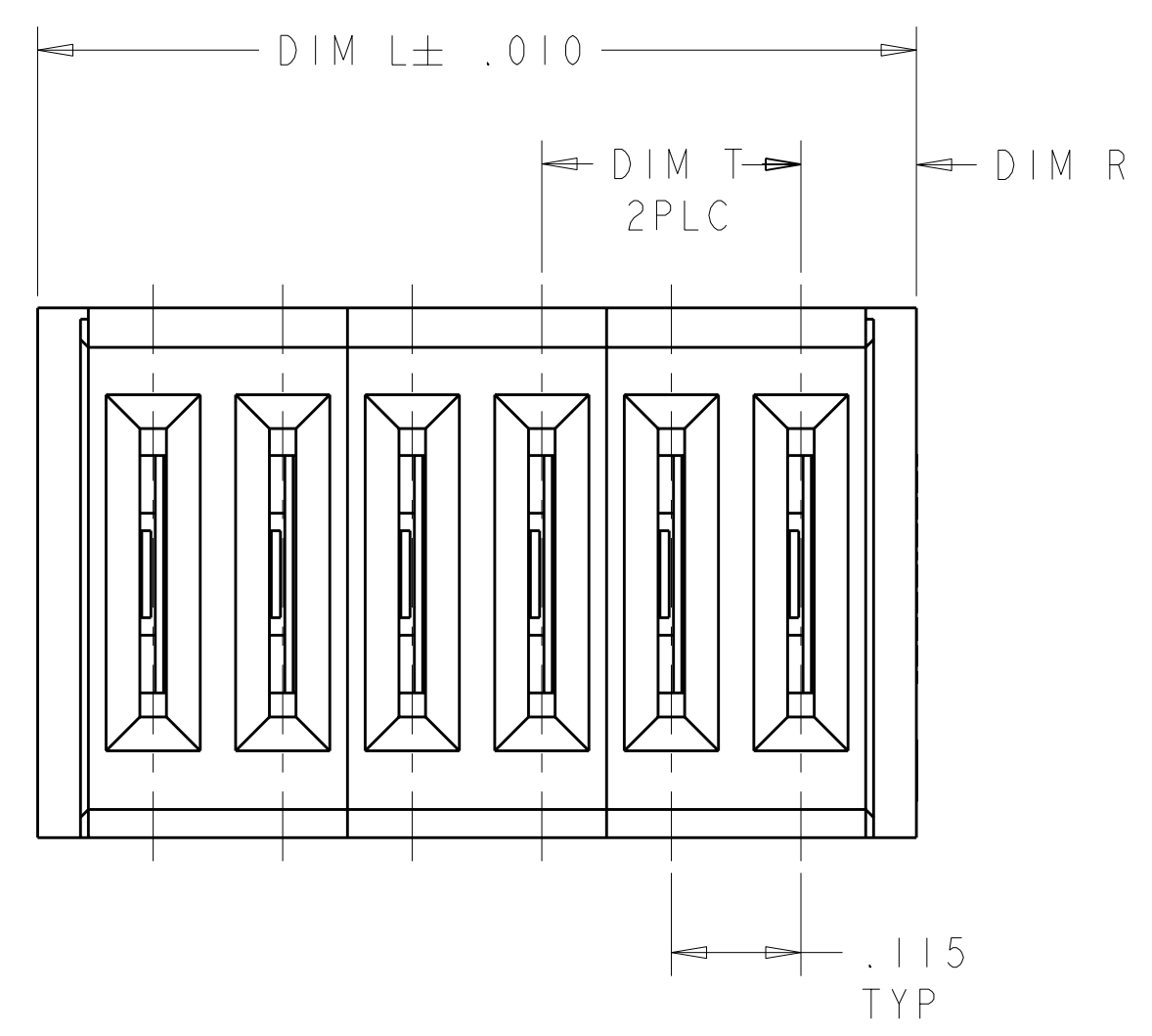
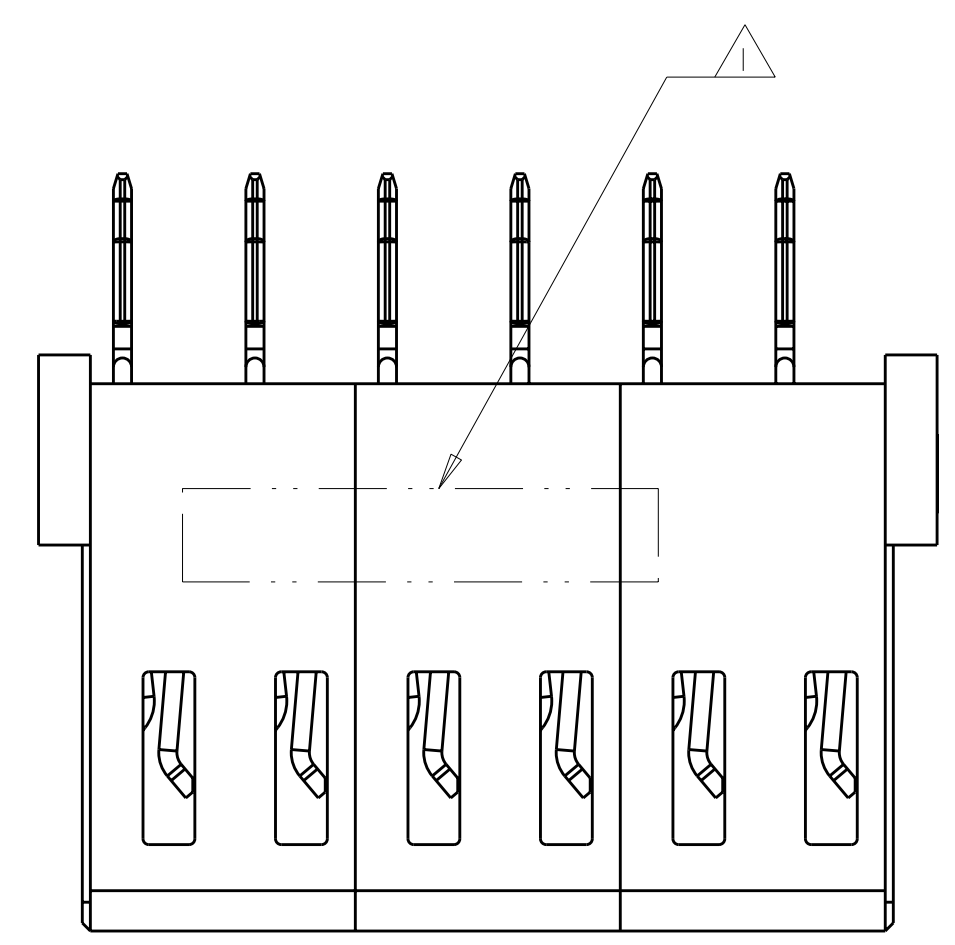
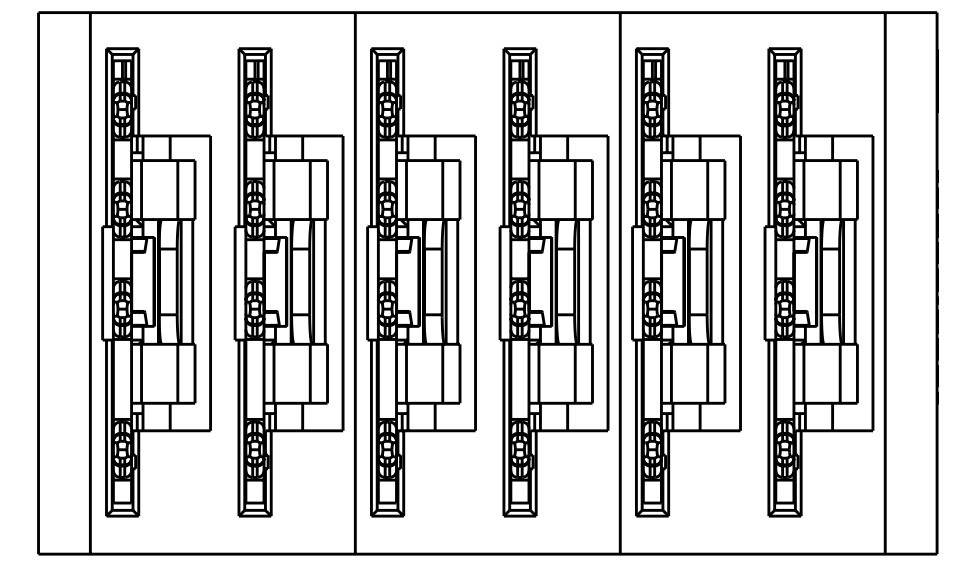


LOC	DIST	REV	DATE	BY	CHK	APPD
ES	00	D	30MAR2011	OL	SZ	



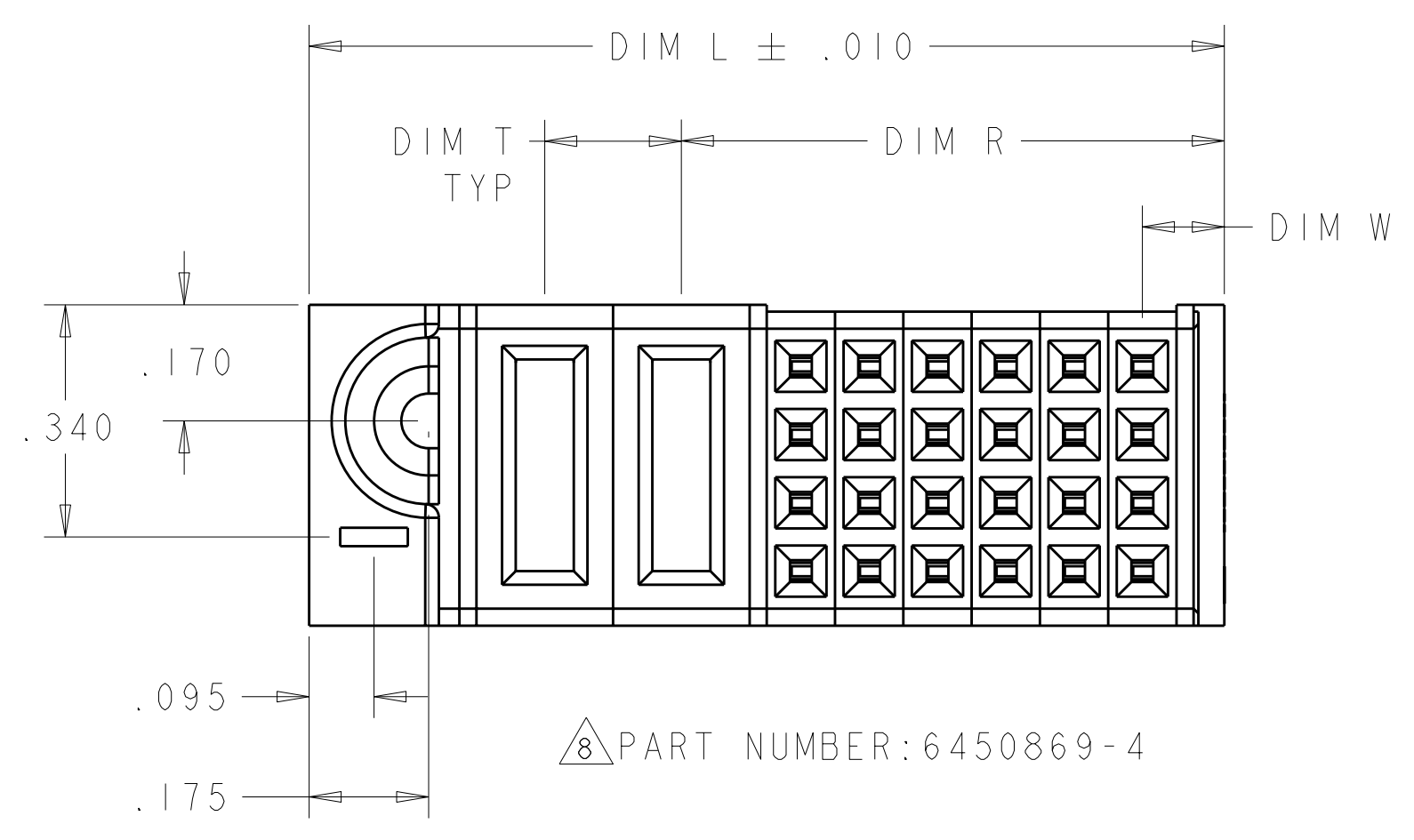
LP CONFIGURATION TAIL DIMENSIONS

- ① "AMP" PART NUMBER AND DATE CODE TO BE MARKED IN AREA SHOWN. PARTS 2.00 OR LESS MAYBE MARKED ON BOTH SIDES.
- ② MATERIAL: HOUSING - GLASS FILLED HIGH TEMP THERMO PLASTIC, UL94 V-0  
POWER CONTACT - HIGH CONDUCTIVITY COPPER ALLOY
- ③ CONTACT PLATING: POWER CONTACT - .000050 MIN Ni UNDER ALL  
.000030 MIN Au ON CONTACT AREA  
.000100 MIN Sn AT PCB INTERFACE
- ④ MECHANICAL CONNECTOR KEEP OUT ZONE
- ⑤ DATUM AND BASIC DIMENSIONS ESTABLISHED BY CUSTOMER
- ⑥ PCB - ALL HOLE DIMENSIONS ARE FINISHED HOLE SIZES
- ⑦ PCB - .0453±.0010 DRILLED HOLES. PLATED WITH .0003 MIN Sn OVER  
.001 TO .003 Cu PLATING TO ACHIEVE A .040 DIA. HOLE
- ⑧ FOR PART NUMBER 6450869-4, 6450869-5, 6450869-6, 6450869-7 PLEASE REFER TO SHEET 2.
- ⑨ VARIABLE DIMENSIONS PLEASE REFER TO TABLE.
- ⑩ PLEASE REFER TO PARTS VIEW FOR DETAIL DIMENSIONS.

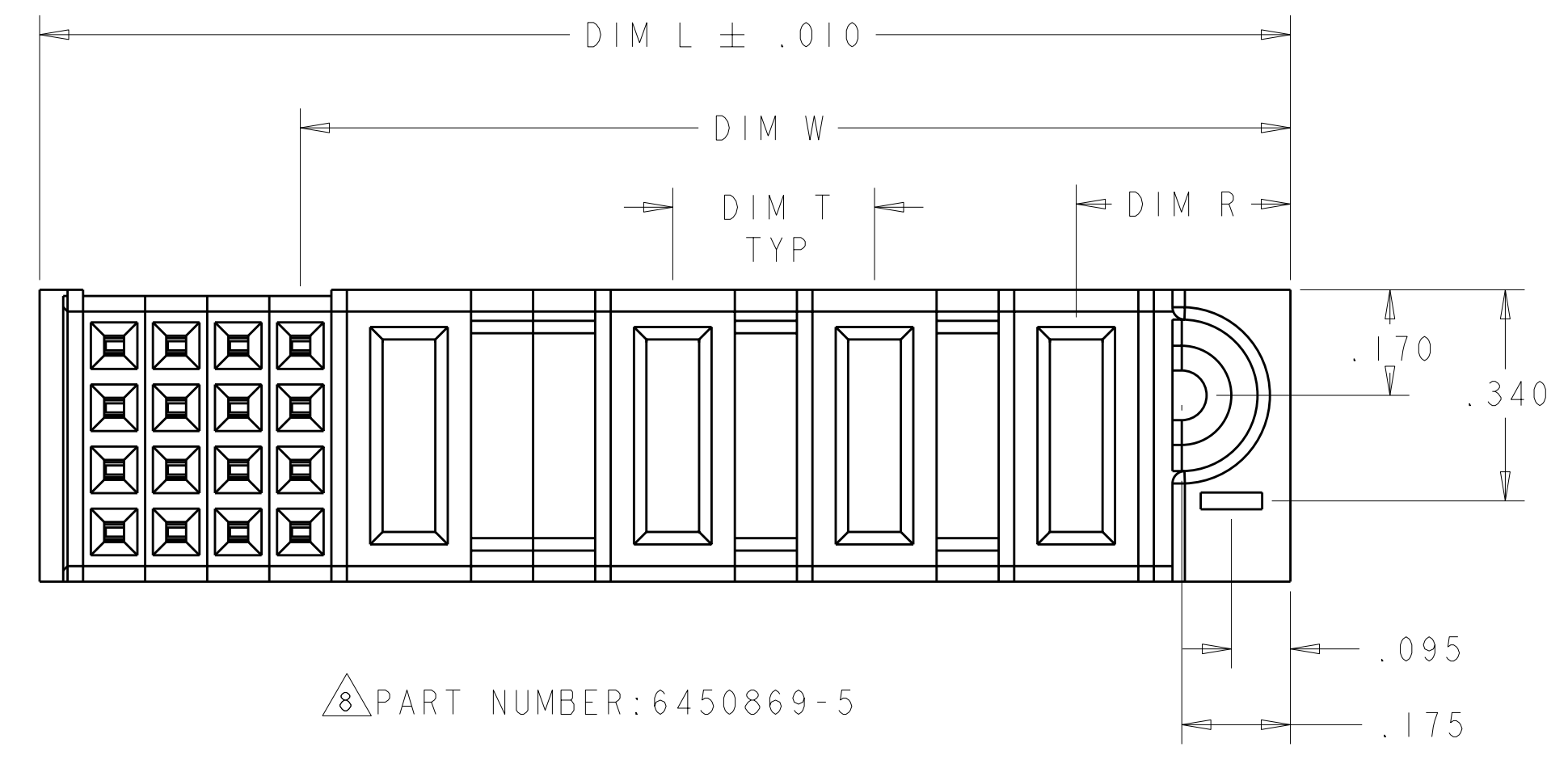
S	W	R	T	L	DESCRIPTION	PART NUMBER
-	-	-	-	2.820	2ACP+ 1LP + 32S + 3HDP + 1LP + 1HDP	1-6450869-4
-	-	-	-	.400	2P	1-6450869-3
-	-	-	-	-	8P	6450869-8
-	-	.170	.200	2.715	12P	6450869-7
4.070	.120	1.295	.200	5.090	44S + 14P + 40S	6450869-6
-	1.595	.345	-	2.015	4P + 16S	6450869-5
-	.120	.795	.200	1.340	24S + 2P	6450869-4
-	-	-	-	-	4S + 17HDP + 8S	6450869-3
-	-	-	-	-	8S + 27P + 8S	6450869-2
-	-	.1025	.230	.780	6 LP	6450869-1

DIMENSIONS: INCHES TOLERANCES UNLESS OTHERWISE SPECIFIED: 9 PLC ±.01 5 PLC ±.01 4 PLC ±.0020 ANGLES ±.0°		DWN: H. LIU 30APR2008 CHK: S. ZHAO 30APR2008 APVD: S. YAO PRODUCT SPEC: 108-2292 APPLICATION SPEC: 114-13038 WEIGHT: - CUSTOMER DRAWING		Tyco Electronics Corporation Shanghai, P.R.China, 200233 NAME: VERTICAL RECEPTACLE ASSEMBLY NO GUIDES MULTI-BEAM XLE SIZE: A11 CAGE CODE: 00779 DRAWING NO: 6450869 SCALE: 4:1 SHEET: 1 OF 8 REV: D	
---	--	---	--	---	--

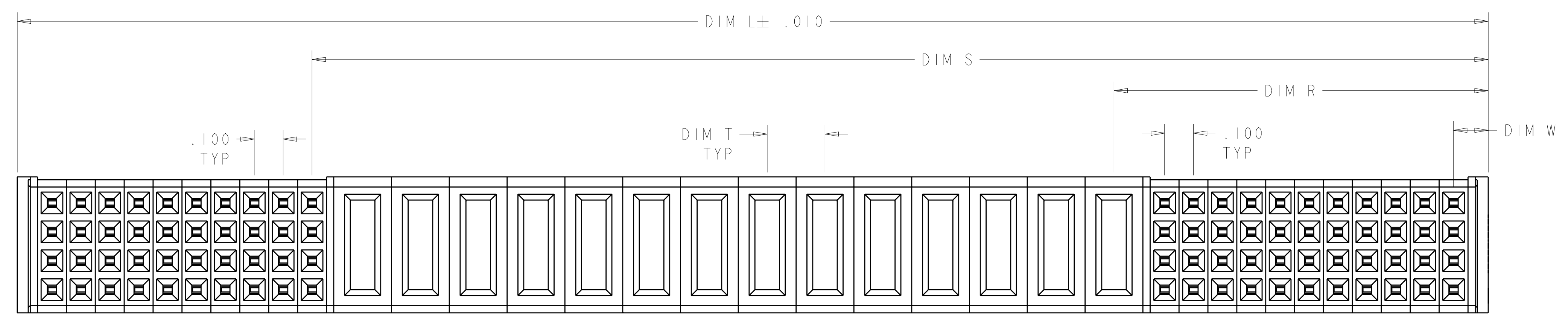
LOC	DIST	REVISIONS					
ES	00	P	LTR	DESCRIPTION	DATE	DWN	APVD
		-	-	SEE SHEET 1	-	-	-



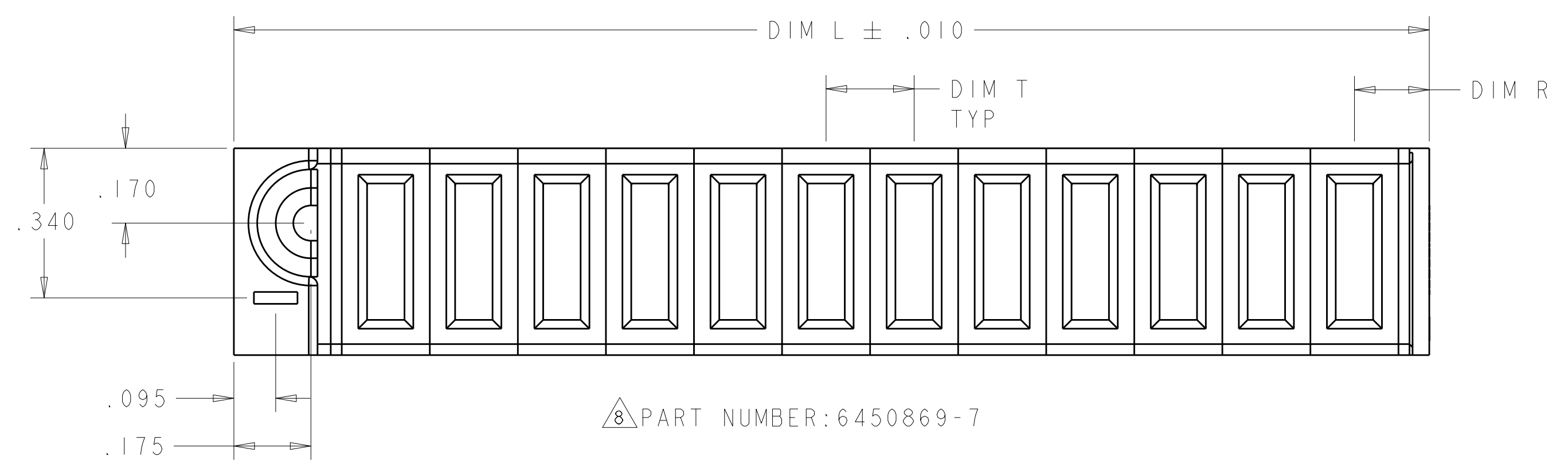
△ PART NUMBER: 6450869-4



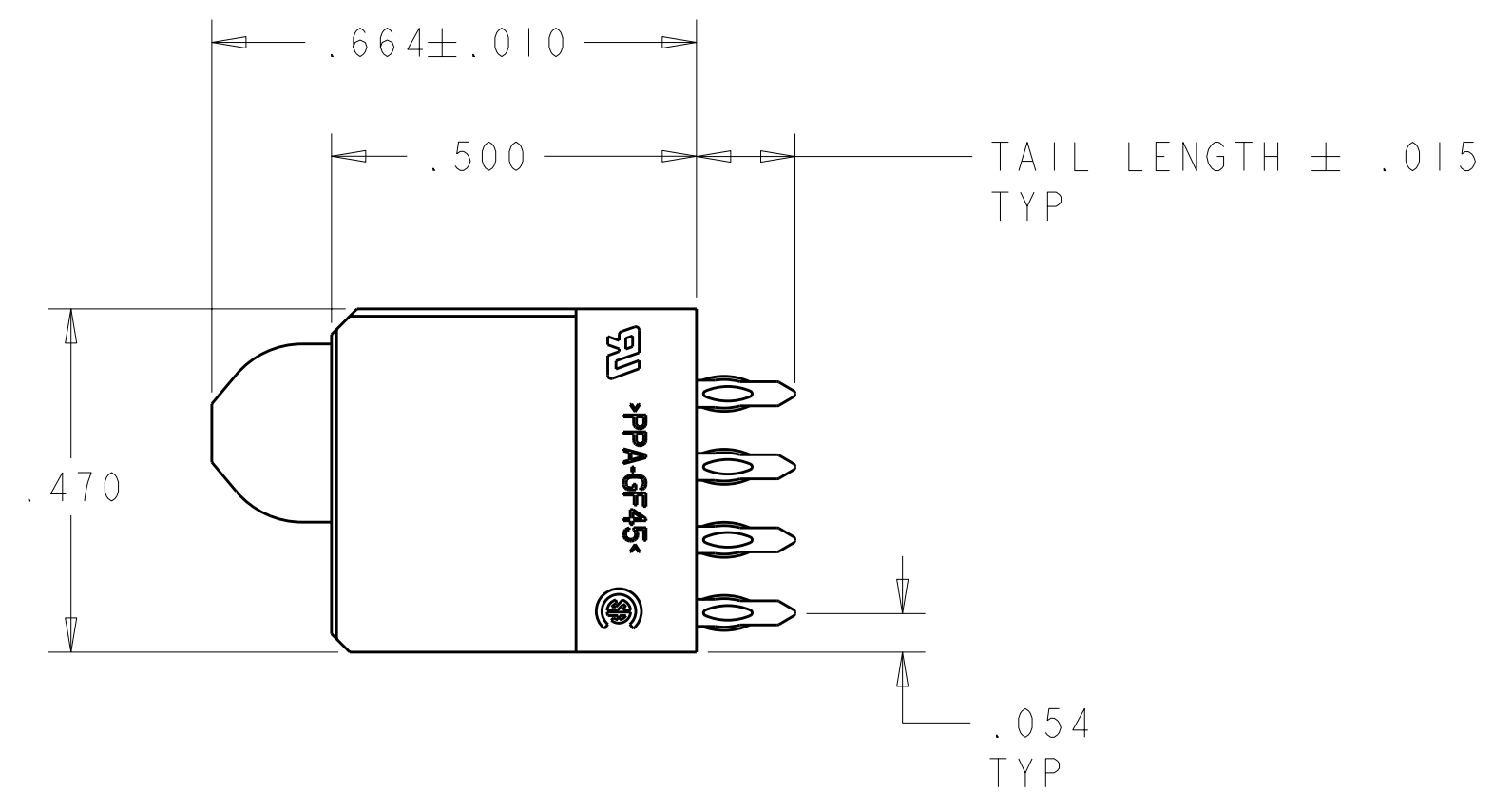
△ PART NUMBER: 6450869-5



△ PART NUMBER: 6450869-6



△ PART NUMBER: 6450869-7



DIMENSIONS: INCHES 		TOLERANCES UNLESS OTHERWISE SPECIFIED: 9 PLC ±. 1 PLC ±.01 5 PLC ±.005 4 PLC ±.0020 ANGLES ±.02° FINISH		DWN H. LIU 30APR2008 CHK S. ZHAO 30APR2008 APVD S. YAO NAME PRODUCT SPEC 108-2292 APPLICATION SPEC 114-13038 WEIGHT CUSTOMER DRAWING		Tyco Electronics Corporation Shanghai, P.R.China, 200233 VERTICAL RECEPTACLE ASSEMBLY NO GUIDES MULTI-BEAM XLE SIZE CAGE CODE DRAWING NO RESTRICTED TO A 00779 C=6450869 SCALE 4:1 SHEET 2 OF 8 REV D	
---------------------------	--	---	--	---	--	--	--

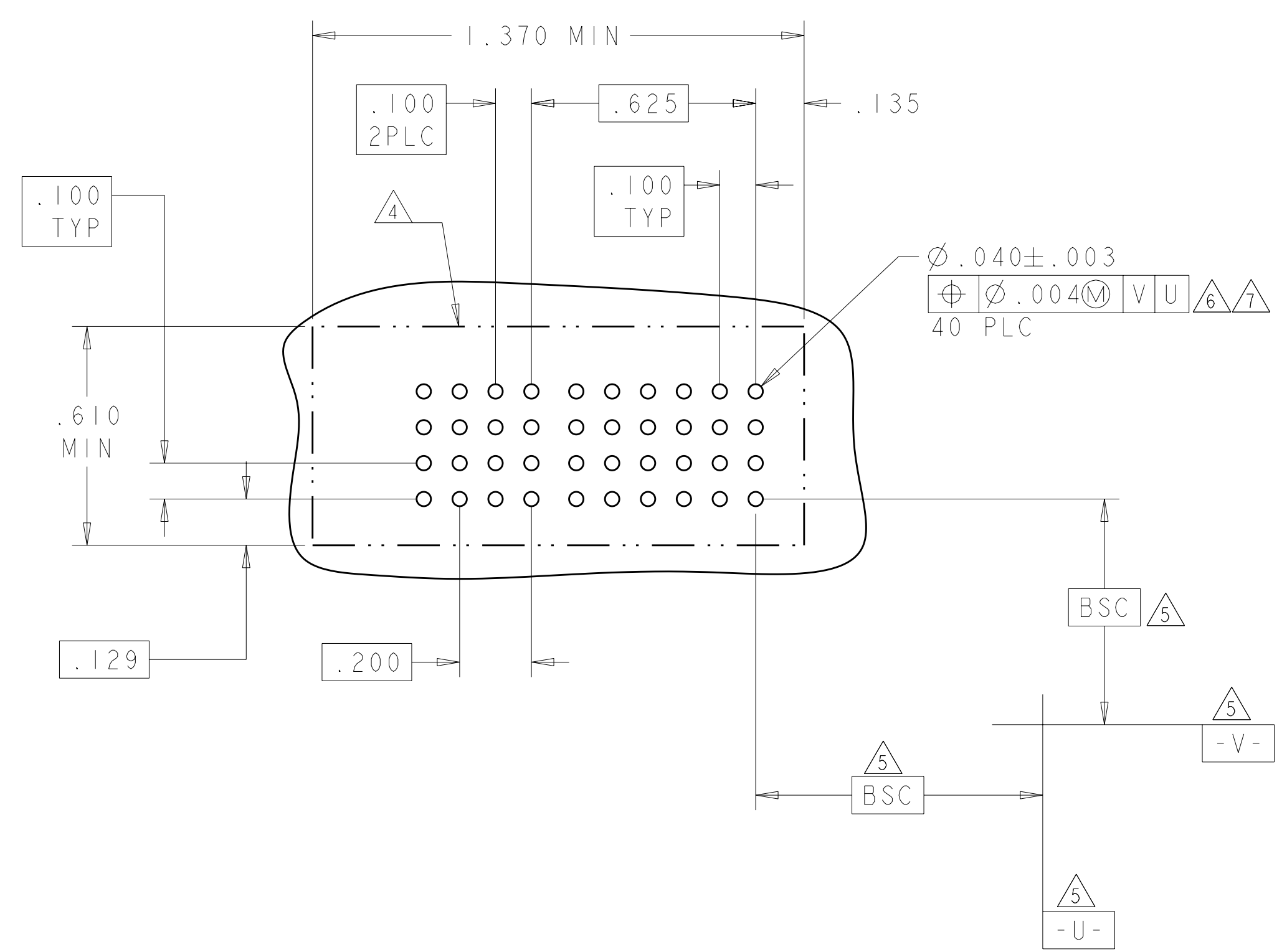
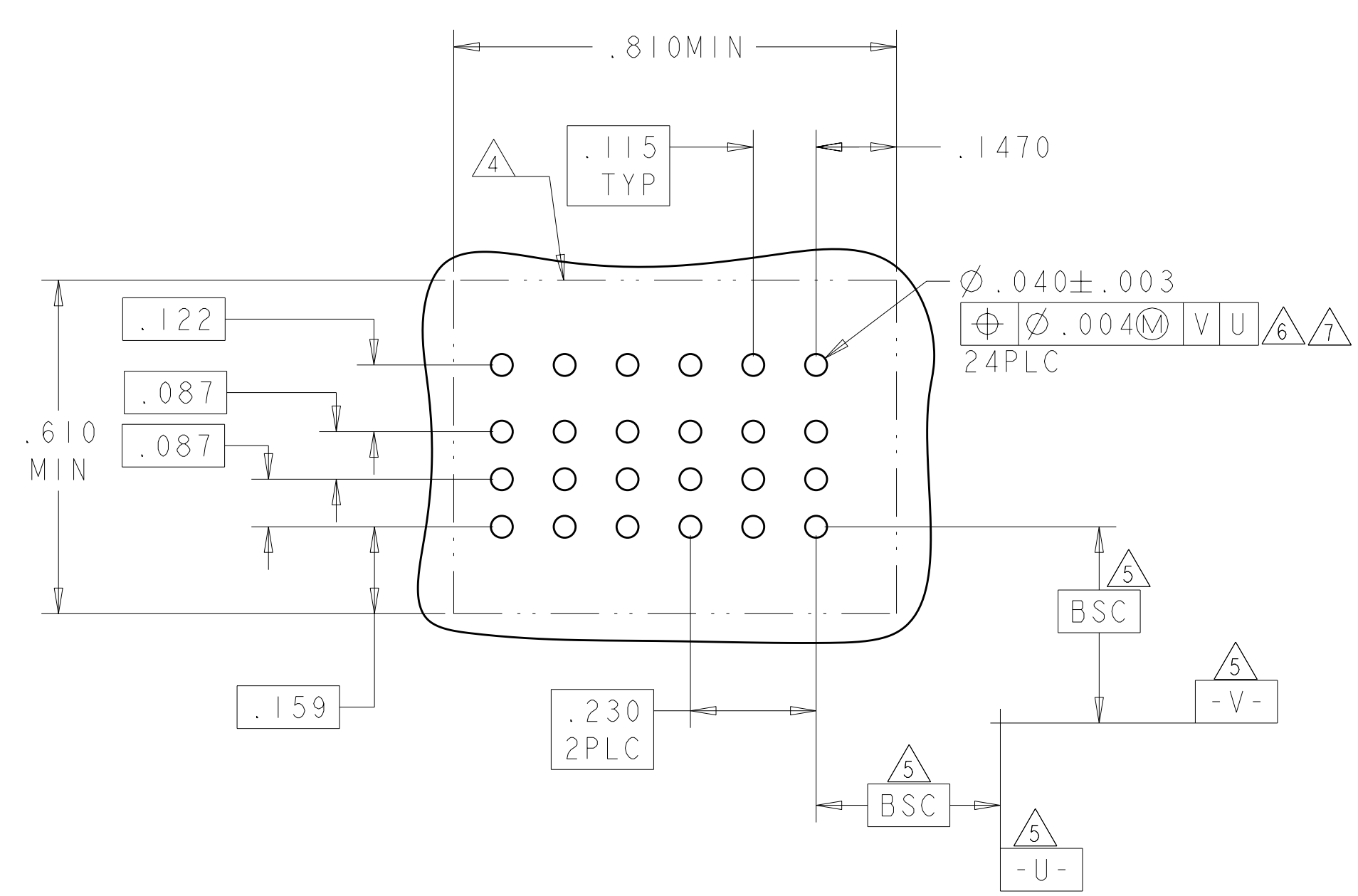
LOC	DIST	REV	DATE	BY	APPD
ES	00				

REVISIONS		DATE	BY	APPD
1	SEE SHEET 1			

PART NUMBER	POWER					
	LP6	LP5	LP4	LP3	LP2	LP1
6450869-1	LSI	LSI	LSI	LSI	LSI	LSI
6 LP						

PART NUMBER	ROWS	POWER		SIGNAL						
		P2	PI	6	5	4	3	2	1	
6450869-4	D	GP	GS	AP	AP	AP	AP	AP	AP	
	C			AP	AP	AP	AP	AP	AP	
	B			AP	AP	AP	AP	AP	AP	
	A			AP	AP	AP	AP	AP	AP	
24S + 2P										



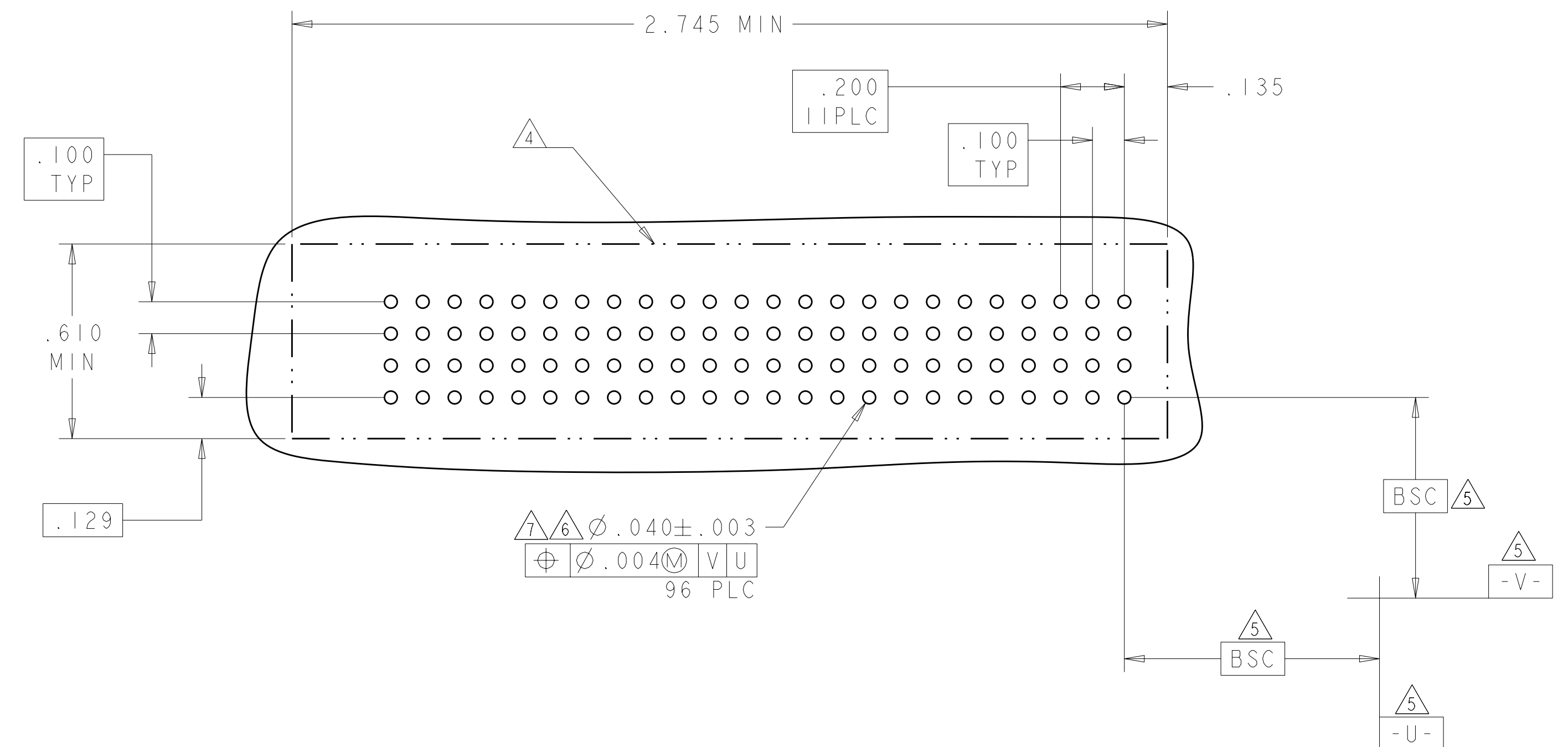
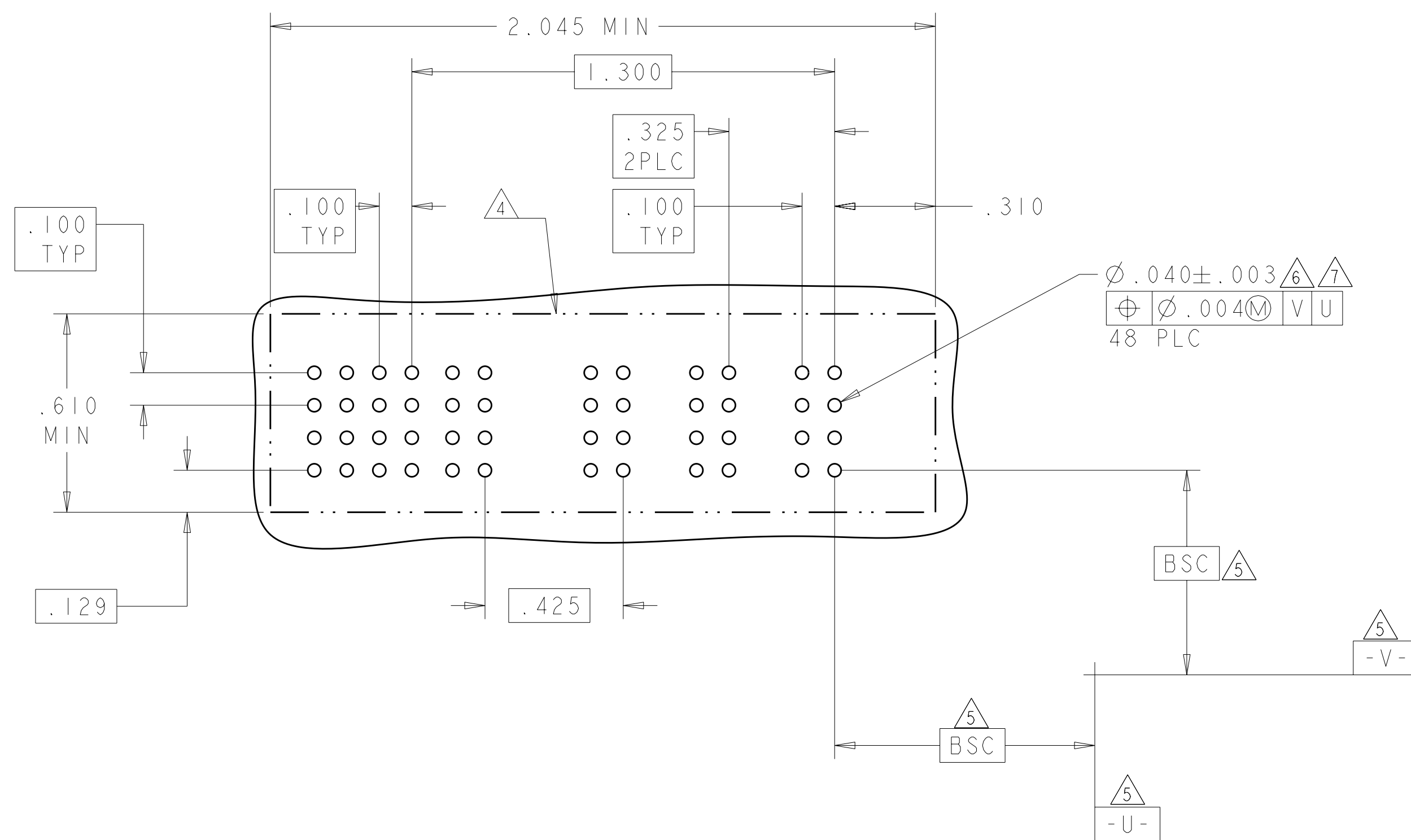
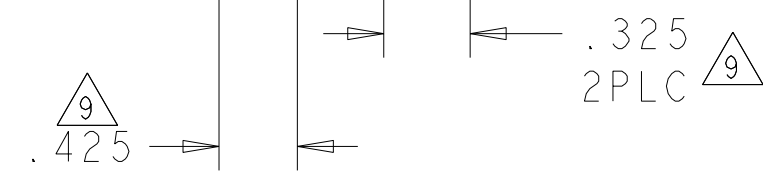
P	.115 TAIL LENGTH, PRESS FIT, SIGNAL
AP	.135 TAIL LENGTH, PRESS FIT, SIGNAL
VP	MFBL .115 TAIL LENGTH, PRESS FIT, POWER
VS	STD .115 TAIL LENGTH, PRESS FIT, POWER
GP	MFBL .135 TAIL LENGTH, PRESS FIT, POWER
GS	STD .135 TAIL LENGTH, PRESS FIT, POWER
LSI	STD .135 TAIL LENGTH, PRESS FIT, POWER
CODE	PRESS FIT
POWER CONTACT	

<small>THIS DRAWING IS UNPUBLISHED. RELEASED FOR PUBLICATION. ALL RIGHTS RESERVED. THIS IS SUBJECT TO CHANGE WITHOUT NOTICE AND WITHOUT LIABILITY. DIMENSIONS AND TOLERANCES ARE GIVEN IN INCHES UNLESS OTHERWISE SPECIFIED.</small>		DWN: H.L.LIU 30APR2008 CHK: S.ZHAO 30APR2008 APVD: S.YAO NAME: Tyco Electronics Corporation Shanghai, P.R.China, 200233
DIMENSIONS: INCHES 	TOLERANCES UNLESS OTHERWISE SPECIFIED: 9 PLC ±. 1 PLC ±.01 2 PLC ±.01 3 PLC ±.005 4 PLC ±.0020 ANGLES ±.020	PRODUCT SPEC: 108-2292 APPLICATION SPEC: 114-13038 WEIGHT: - CUSTOMER DRAWING
MATERIAL: - FINISH: -		SIZE: A11 00779 CAGE CODE: C=6450869 SCALE: 4:1 SHEET 3 OF 8 REV D

LOC	DIST	REVISIONS			
P	LTR	DESCRIPTION	DATE	DWN	APVD
ES	00	SEE SHEET 1	-	-	-

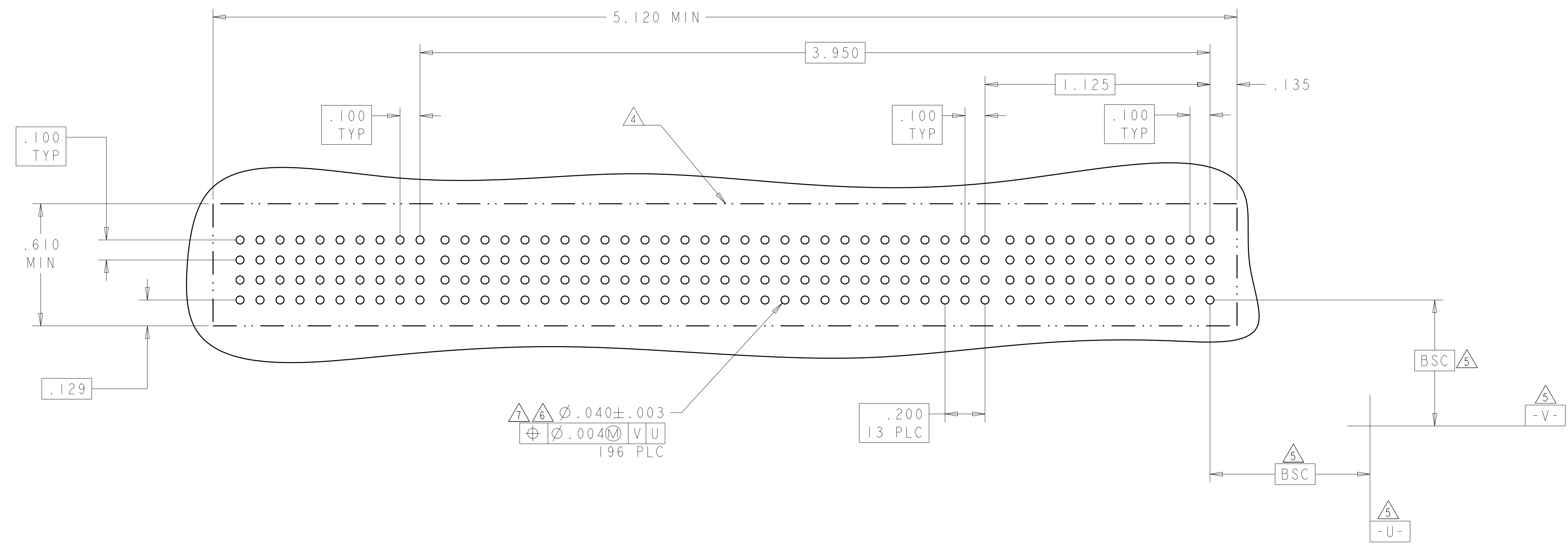
PART NUMBER	ROWS	SIGNAL				POWER			
		4	3	2	1	P4	P3	P2	P1
6450869-5	D	AP	AP	AP	AP	GP	GS	GS	GS
	C	AP	AP	AP	AP				
	B	AP	AP	AP	AP				
	A	AP	AP	AP	AP				
4P + 16S									

PART NUMBER	POWER											
	P12	P11	P10	P9	P8	P7	P6	P5	P4	P3	P2	P1
6450869-7	GS	GS	GP	GS	GS	GS	GS	GS	GP	GS	GS	GS
12P												



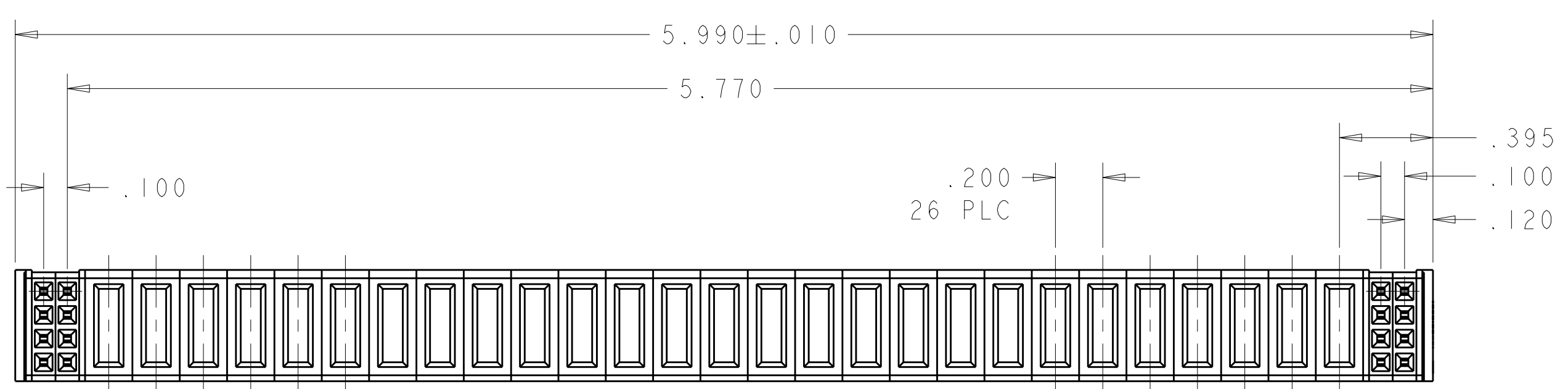
<small>THIS DRAWING IS UNPUBLISHED. RELEASED FOR PUBLICATION BY TYCO ELECTRONICS CORPORATION. ALL RIGHTS RESERVED.</small>		DWN H. LIU 30APR2008	Tyco Electronics Corporation Shanghai, P.R.China, 200233	
<small>THIS DRAWING IS UNPUBLISHED. RELEASED FOR PUBLICATION BY TYCO ELECTRONICS CORPORATION. ALL RIGHTS RESERVED.</small>		CHK S. ZHAO 30APR2008		
<small>THIS DRAWING IS UNPUBLISHED. RELEASED FOR PUBLICATION BY TYCO ELECTRONICS CORPORATION. ALL RIGHTS RESERVED.</small>		APVD S. YAO	NAME VERTICAL RECEPTACLE ASSEMBLY NO GUIDES MULTI-BEAM XLE	
<small>THIS DRAWING IS UNPUBLISHED. RELEASED FOR PUBLICATION BY TYCO ELECTRONICS CORPORATION. ALL RIGHTS RESERVED.</small>		PRODUCT SPEC 108-2292	SIZE A	
<small>THIS DRAWING IS UNPUBLISHED. RELEASED FOR PUBLICATION BY TYCO ELECTRONICS CORPORATION. ALL RIGHTS RESERVED.</small>		APPLICATION SPEC 114-13038	CAGE CODE 00779	
<small>THIS DRAWING IS UNPUBLISHED. RELEASED FOR PUBLICATION BY TYCO ELECTRONICS CORPORATION. ALL RIGHTS RESERVED.</small>		WEIGHT -	DRAWING NO 6450869	
<small>THIS DRAWING IS UNPUBLISHED. RELEASED FOR PUBLICATION BY TYCO ELECTRONICS CORPORATION. ALL RIGHTS RESERVED.</small>		CUSTOMER DRAWING	SCALE 4:1 SHEET 4 OF 8 REV D	

PART NUMBER	ROWS	SIGNAL										POWER										SIGNAL																			
		21	20	19	18	17	16	15	14	13	12	PI4	PI3	PI2	PI1	PI0	P9	P8	P7	P6	P5	P4	P3	P2	P1	11	10	9	8	7	6	5	4	3	2	1					
6450869-6	D	AP	AP	AP	AP	AP	AP	AP	AP	AP	AP														AP	AP	AP	AP	AP	AP	AP	AP	AP	AP	AP	AP	AP	AP			
	C	AP	AP	AP	AP	AP	AP	AP	AP	AP	AP	GS	GS	GS	GP	GS	GS	GS	GP	GS	GS	GP	GS	GS	AP	AP	AP	AP	AP	AP	AP	AP	AP	AP	AP	AP	AP	AP			
	B	AP	AP	AP	AP	AP	AP	AP	AP	AP	AP														AP	AP	AP	AP	AP	AP	AP	AP	AP	AP	AP	AP	AP	AP	AP		
	A	AP	AP	AP	AP	AP	AP	AP	AP	AP	AP														AP	AP	AP	AP	AP	AP	AP	AP	AP	AP	AP	AP	AP	AP	AP		
44S + 14P + 40S																																									



<small>THIS DRAWING IS UNPUBLISHED. IT IS SUBJECT TO CHANGE WITHOUT NOTICE. THE USER SHALL BE RESPONSIBLE FOR OBTAINING THE LATEST REVISION. IF ANY DIMENSIONS OR DIMENSIONS OF MATERIALS ARE NOT SHOWN, CONTACT THE DESIGN OFFICE FOR THE LATEST REVISION.</small>		DWN: H.L.LIU CHK: S.ZHAO APVD: S.YAO	30APR2008 30APR2008 -	Tyco Electronics Corporation Shanghai, P.R.China.200233	
DIMENSIONS: INCHES 	TOLERANCES UNLESS OTHERWISE SPECIFIED: 9 PLC ±.01 8 PLC ±.01 5 PLC ±.005 4 PLC ±.0020 ANGLES ±.02	PRODUCT SPEC 108-2292 APPLICATION SPEC 114-13038	NAME VERTICAL RECEPTACLE ASSEMBLY NO GUIDES MULTI-BEAM XLE	SIZE A11	CAGE CODE 00779
MATERIAL: - FINISH: -		WEIGHT: - CUSTOMER DRAWING	DRAWING NO C=6450869	RESTRICTED TO -	SCALE: 4:1 SHEET 5 OF 8 REV D

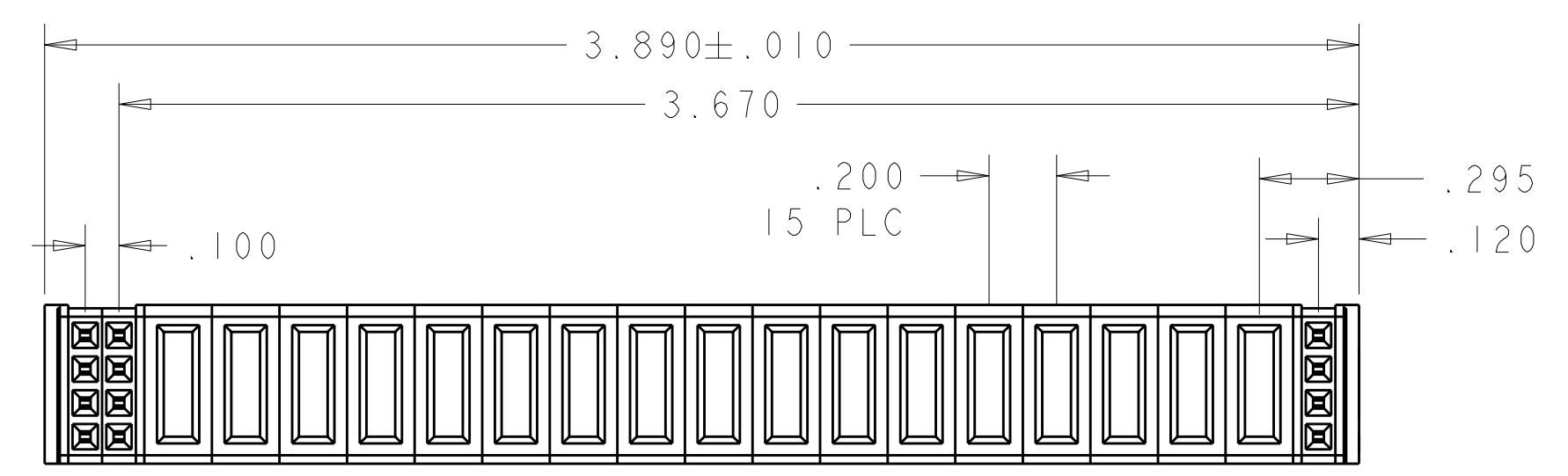
LOC	DIST	REV	DATE	BY	APPD
ES	00				
DESCRIPTION			DATE	DWN	APPD
SEE SHEET 1					



PART NUMBER: 6450869-2

PART NUMBER	ROWS	SIGNAL		POWER																		SIGNAL											
		4	3	P27	P26	P25	P24	P23	P22	P21	P20	P19	P18	P17	P16	P15	P14	P13	P12	P11	P10	P9	P8	P7	P6	P5	P4	P3	P2	P1	2	1	
6450869-2	D	P	P																													P	P
	C	P	P	VS	VS	VS	VS	VS	VS	VS	VS	VS	VS	VS	VS	VS	VS	VS	VS	VS	VS	VS	VS	VS	VS	VS	VS	VS	VS	VS	P	P	
	B	P	P																												P	P	
	A	P	P																												P	P	

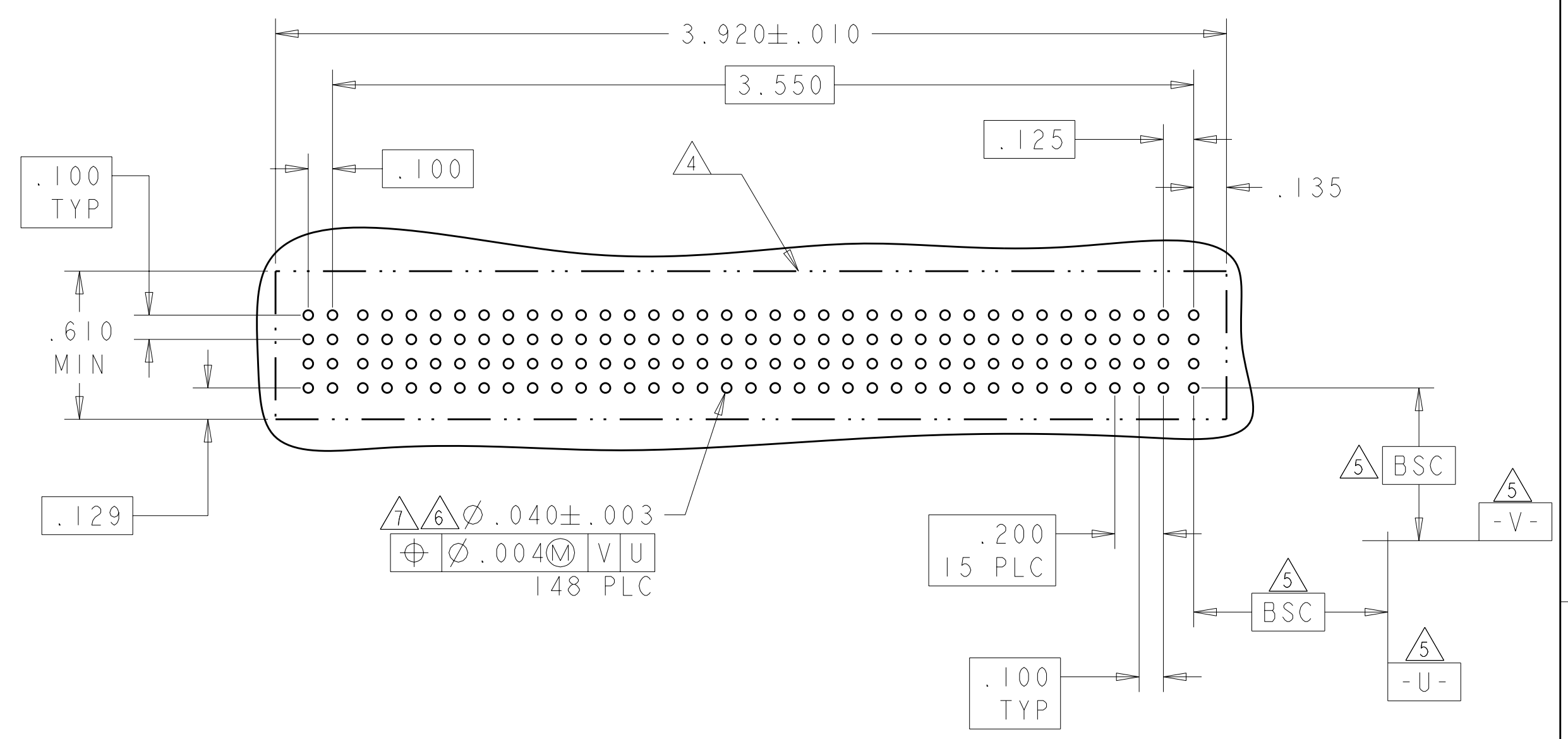
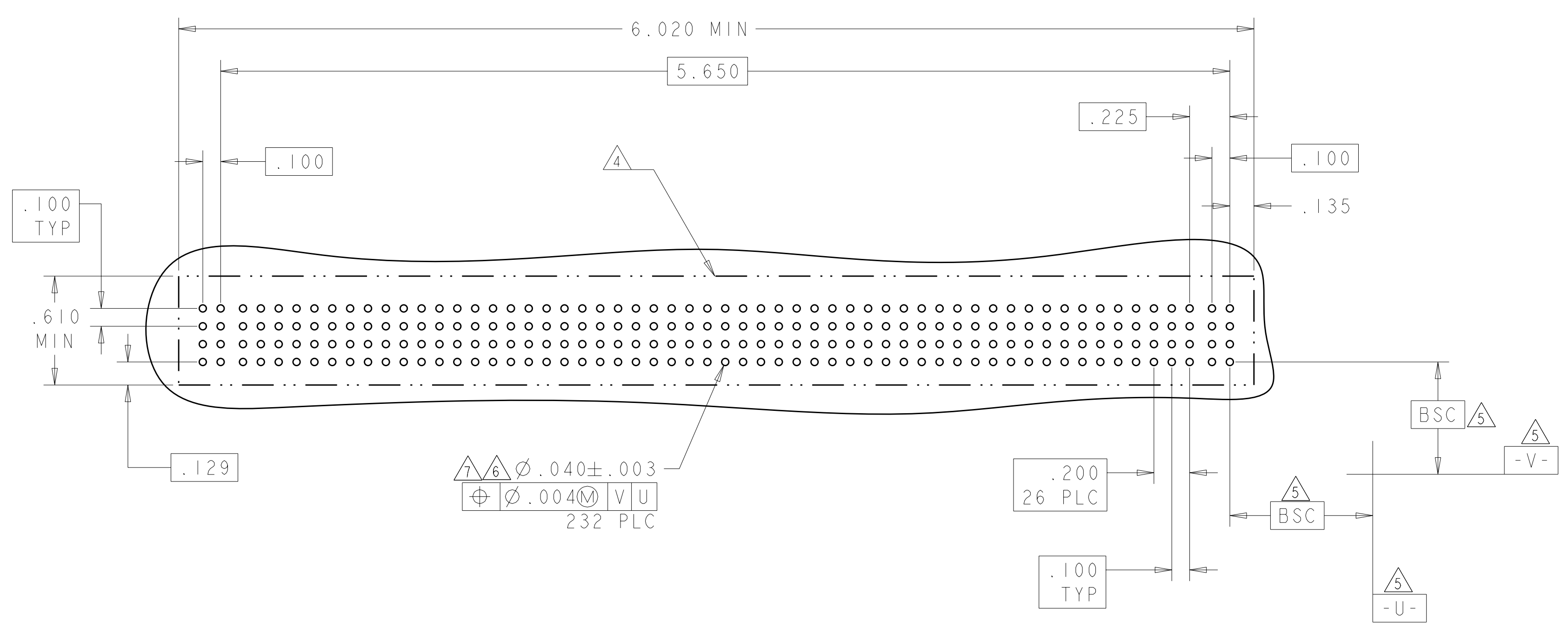
8S + 27P + 8S



PART NUMBER: 6450869-3

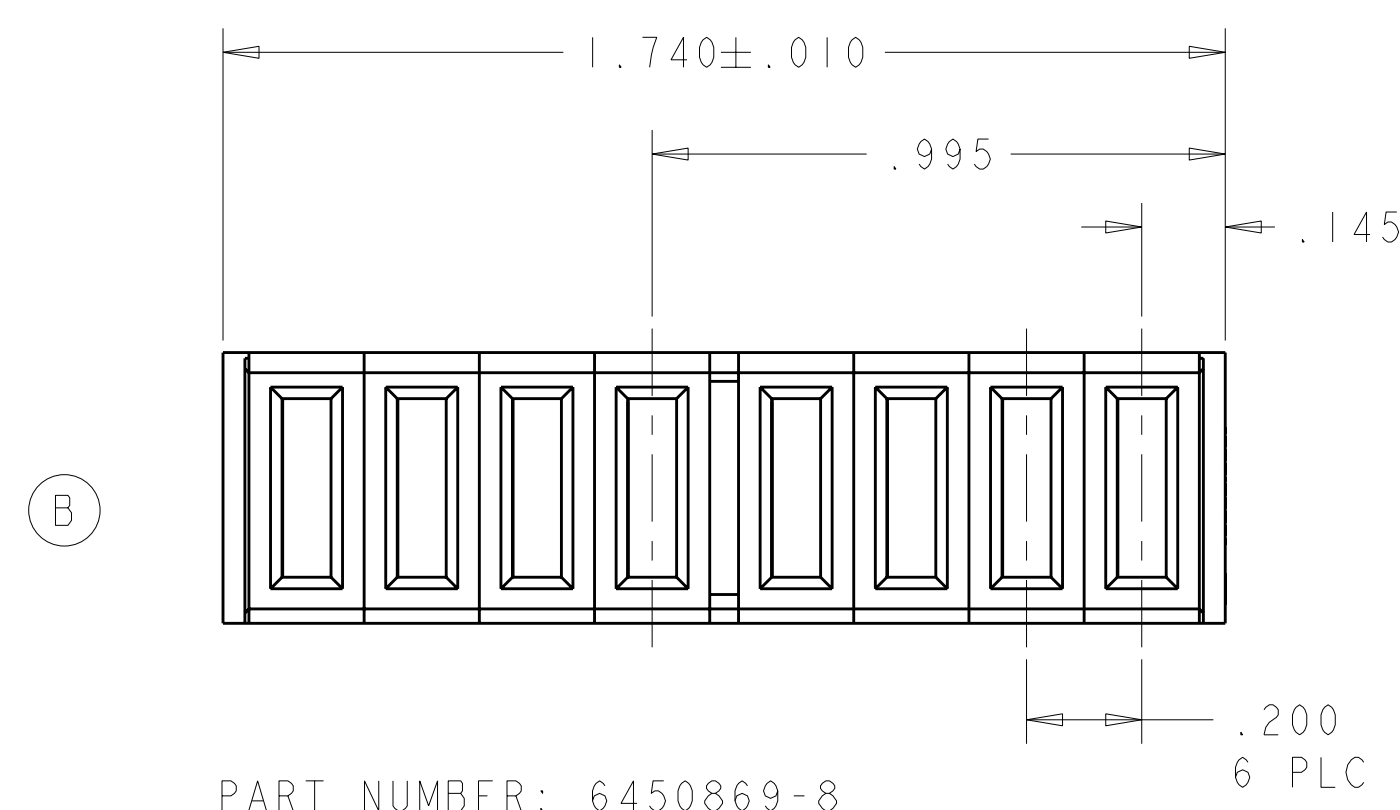
PART NUMBER	ROWS	SIGNAL		POWER																		S									
		3	2	P17	P16	P15	P14	P13	P12	P11	P10	P9	P8	P7	P6	P5	P4	P3	P2	P1	1										
6450869-3	D	P	P																												P
	C	P	P	VS	VS	VS	VS	VS	VS	VS	VS	VS	VS	VS	VS	VS	VS	VS	VS	VS	VS	VS	VS	VS	VS	VS	VS	VS	VS	P	
	B	P	P																											P	
	A	P	P																											P	

4S + 17HDP + 8S



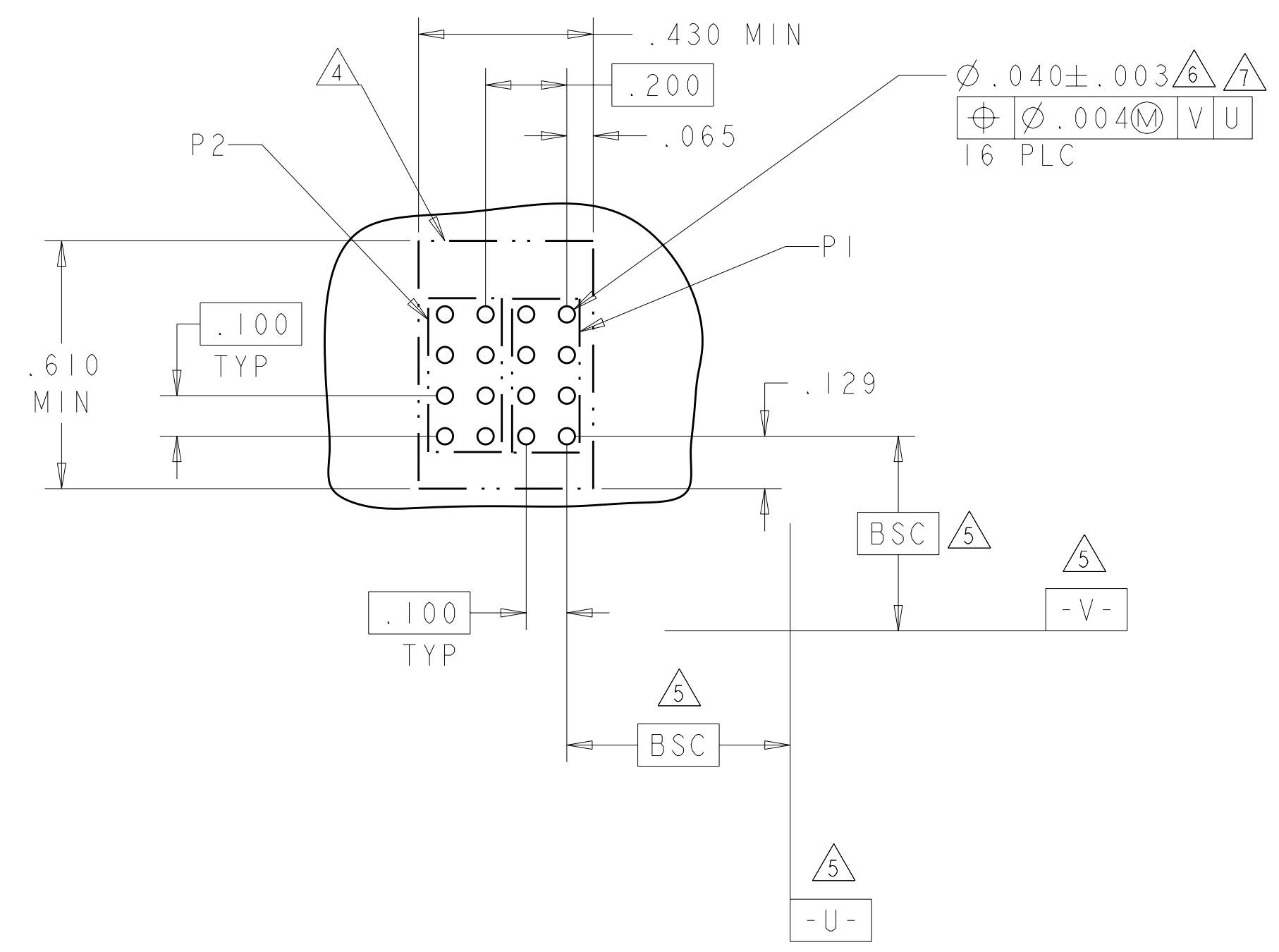
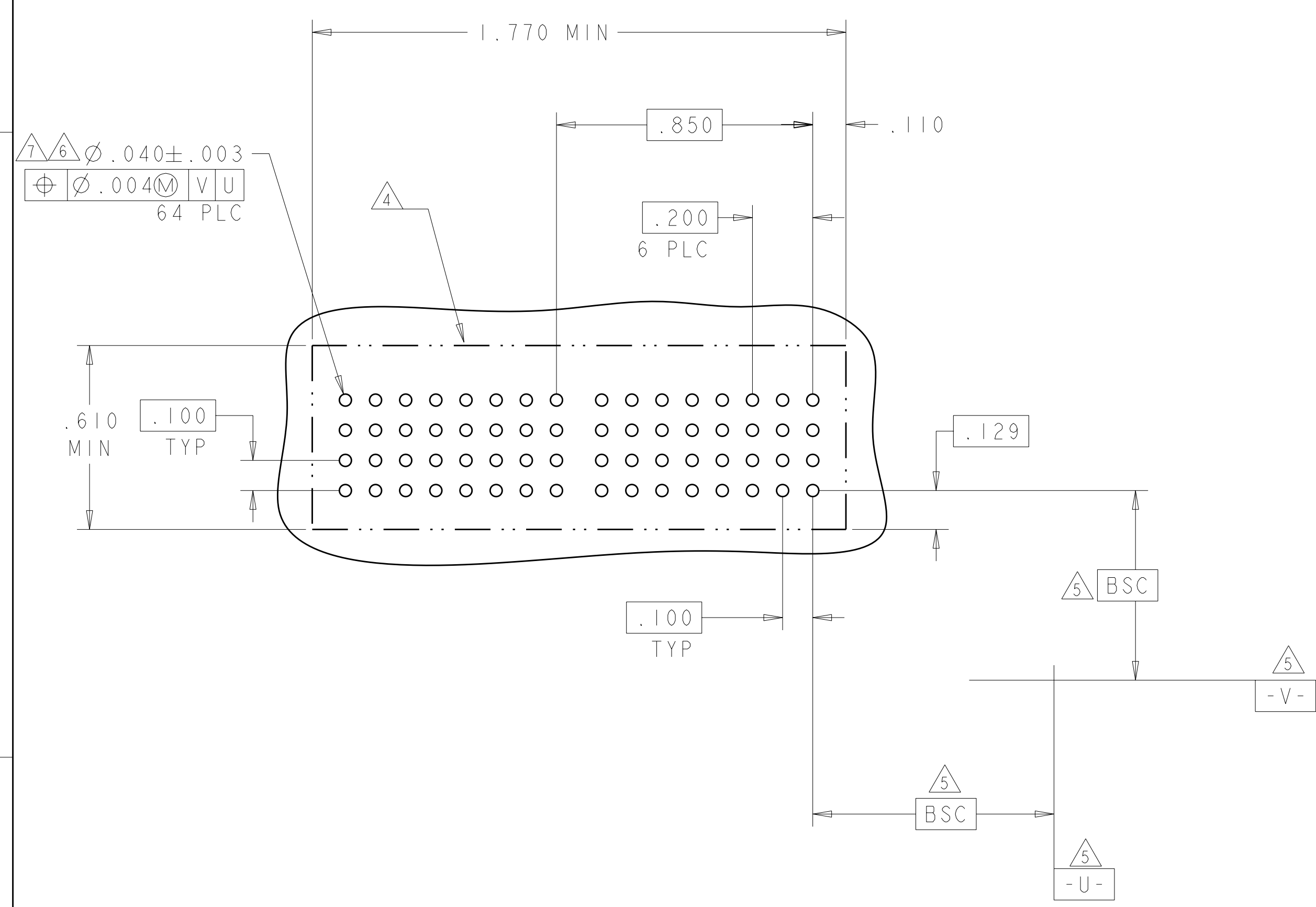
<small>THIS DRAWING IS UNPUBLISHED. RELEASED FOR PUBLICATION BY TYCO ELECTRONICS CORPORATION, ALL RIGHTS RESERVED.</small>		DWN: H.L.LIU 30APR2008 CHK: S.ZHAO 30APR2008 APVD: S.YAO	Tyco Electronics Corporation Shanghai, P.R.China. 200233
DIMENSIONS: INCHES 	TOLERANCES UNLESS OTHERWISE SPECIFIED: 9 PLC ±. 1 PLC ±.01 2 PLC ±.01 3 PLC ±.005 4 PLC ±.0020 ANGLES ±.020	PRODUCT SPEC: 108-2292 APPLICATION SPEC: 114-13038 WEIGHT: - FINISH: -	NAME: VERTICAL RECEPTACLE ASSEMBLY NO GUIDES MULTI-BEAM XLE SIZE: A11 CAGE CODE: 00779 DRAWING NO: 6450869 RESTRICTED TO: -
MATERIAL: -		CUSTOMER DRAWING	
SCALE: 4:1		SHEET 6 OF 8 REV D	

LOC	DIST	REV	DATE	BY	APPD
ES	00				
DESCRIPTION			DATE	DWN	APPD
SEE SHEET 1					



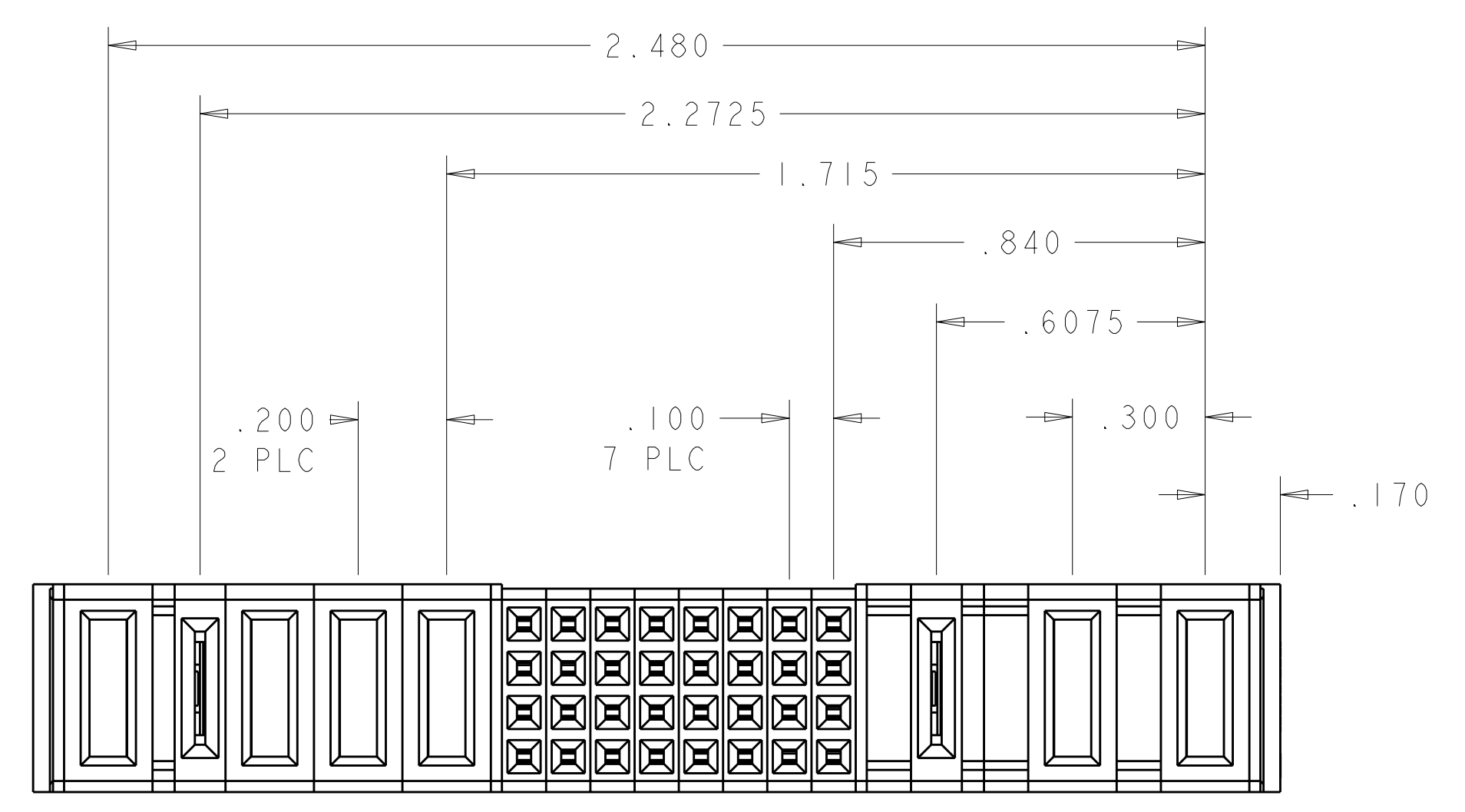
PART NUMBER	POWER	
	P2	P1
I-6450869-3	GP	GS
2P		

PART NUMBER	ROWS	POWER							
		P8	P7	P6	P5	P4	P3	P2	P1
6450869-8	D								
	C	GS	GS	GS	GS	GS	GS	GS	GS
	B								
	A								
8P									



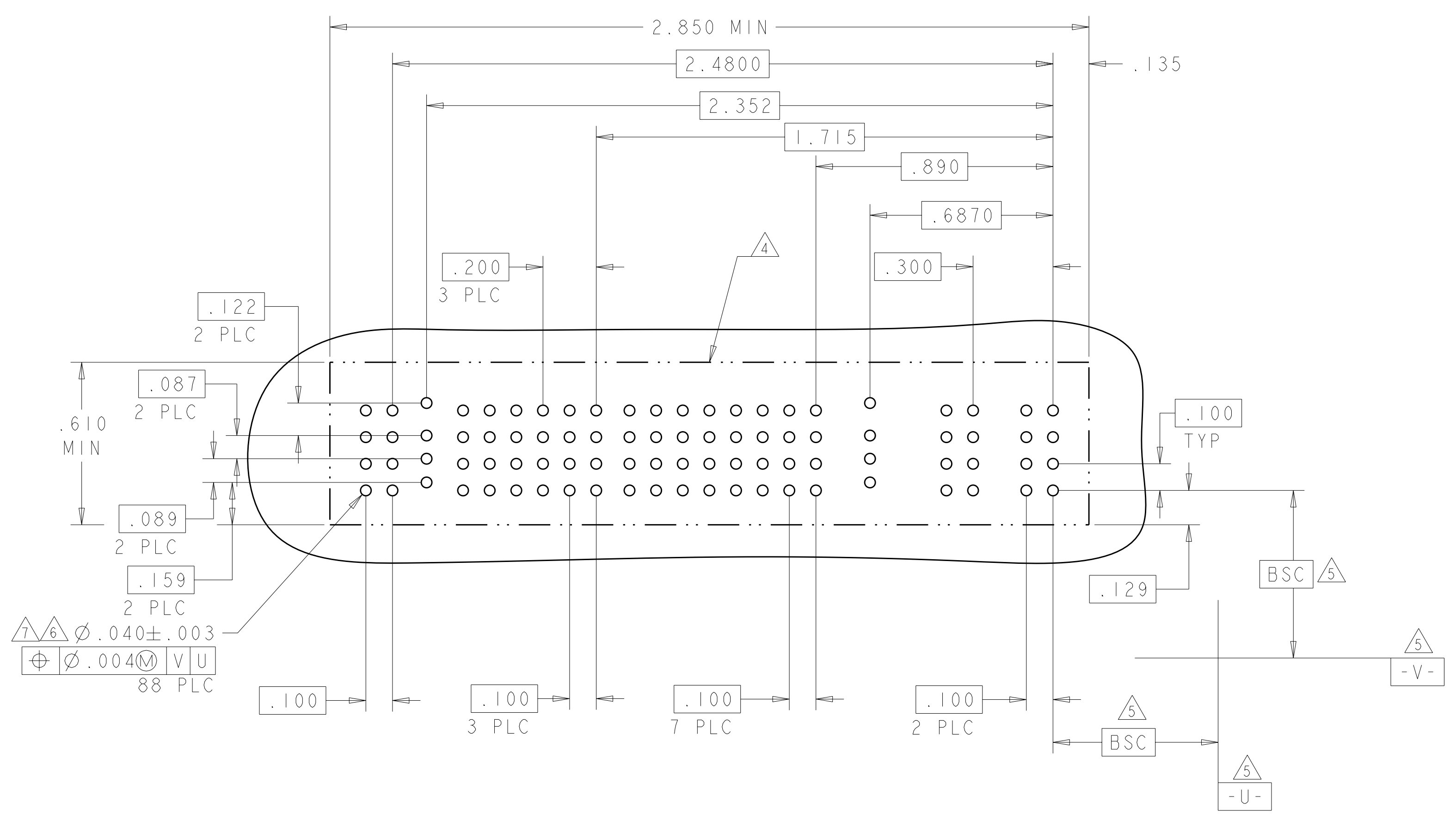
DIMENSIONS: INCHES 		TOLERANCES UNLESS OTHERWISE SPECIFIED: 9 PLC ±. 8 PLC ±.01 5 PLC ±.005 4 PLC ±.0020 ANGLES ±.2° FINISH		DWN H.L.LIU 30APR2008 CHK S.ZHAO 30APR2008 APVD S.YAO PRODUCT SPEC 108-2292 APPLICATION SPEC 114-13038 WEIGHT CUSTOMER DRAWING		Tyco Electronics Corporation Shanghai, P.R.China, 200233 NAME VERTICAL RECEPTACLE ASSEMBLY NO GUIDES MULTI-BEAM XLE SIZE CAGE CODE DRAWING NO. RESTRICTED TO A11 00779 C=6450869 SCALE 4:1 SHEET 7 OF 8 REV D	
---------------------------	--	--	--	--	--	--	--

LOC	DIST	REVISIONS					
ES	00	P	LTB	DESCRIPTION	DATE	DWN	APVD
		-	-	SEE SHEET 1	-	-	-



PART NUMBER	ROWS	POWER					SIGNAL								POWER		
		P6	LP2	P5	P4	P3	8	7	6	5	4	3	2	1	LP1	P2	P1
I-6450869-4	D						AP	AP	AP	AP	AP	AP	AP	AP			
	C	GS	LSI	GS	GS	GS	AP	AP	AP	AP	AP	AP	AP	LSI	GS	GS	
	B						AP	AP	AP	AP	AP	AP	AP				
	A						AP	AP	AP	AP	AP	AP	AP				

2ACP + 1LP + 32S + 3HDP + 1LP + 1P



<small>THIS DRAWING IS UNPUBLISHED. RELEASED FOR PUBLICATION BY TYCO ELECTRONICS CORPORATION. ALL RIGHTS RESERVED.</small> <small>THIS IS SUBJECT TO CHANGE WITHOUT NOTICE. FOR THE LATEST REVISIONS, CONTACT YOUR TYCO REPRESENTATIVE OR VISIT TYCO.COM.</small>		DWN: H.LIU 30APR2008 CHK: S.ZHAO 30APR2008 APVD: S.YAO	Tyco Electronics Corporation Shanghai, P.R.China, 200233
DIMENSIONS: INCHES:	TOLERANCES UNLESS OTHERWISE SPECIFIED: 9 PLC ±. 1 PLC ±.01 2 PLC ±.01 3 PLC ±.005 4 PLC ±.0020 ANGLES ±.2°	PRODUCT SPEC: 108-2292 APPLICATION SPEC: 114-13038 WEIGHT: -	NAME: VERTICAL RECEPTACLE ASSEMBLY NO GUIDES MULTI-BEAM XLE SIZE: A11 CAGE CODE: 00779 DRAWING NO: C=6450869 RESTRICTED TO: -
MATERIAL: -	FINISH: -	CUSTOMER DRAWING	SCALE: 4:1 SHEET: 8 OF 8 REV: D