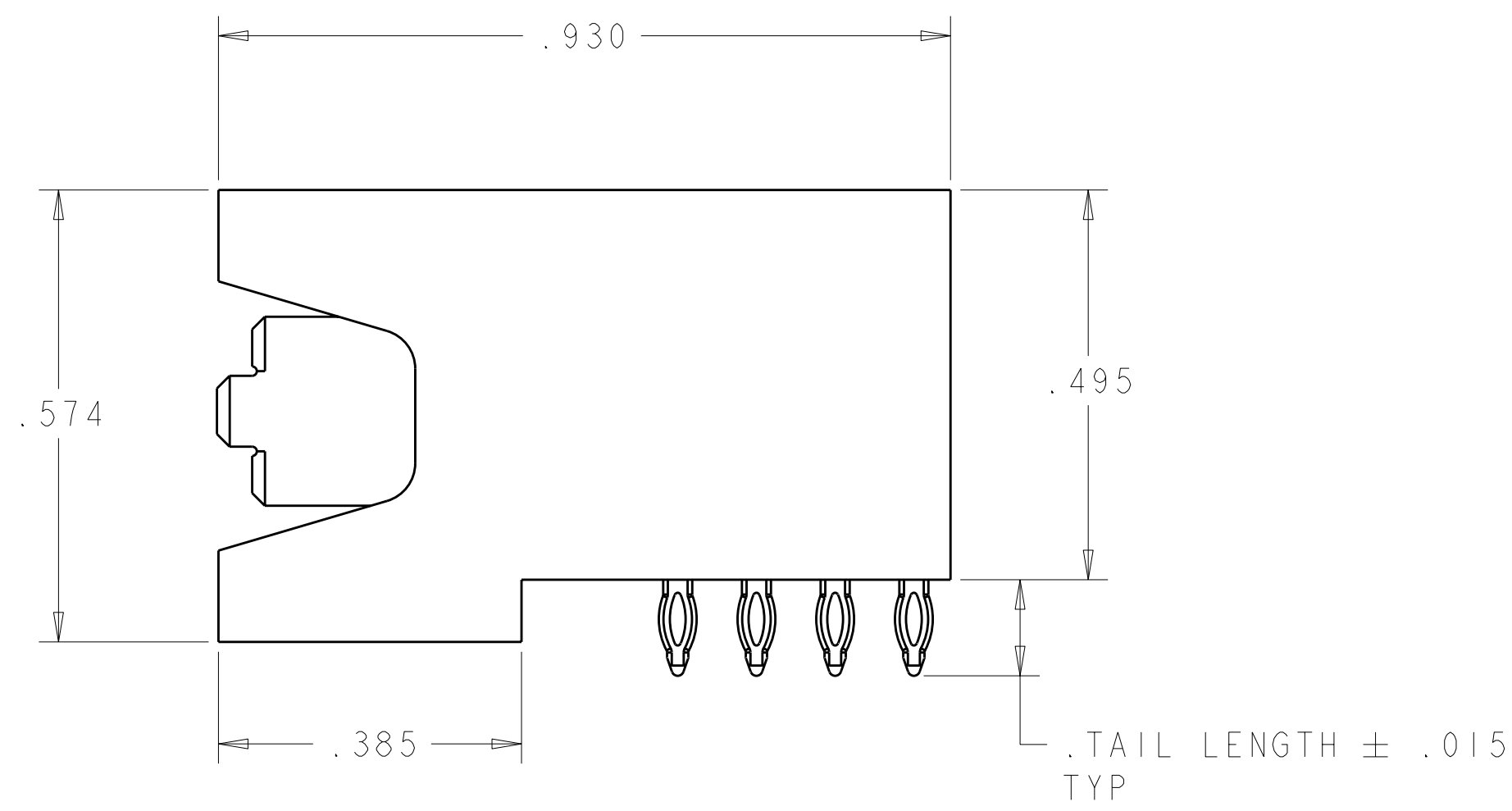
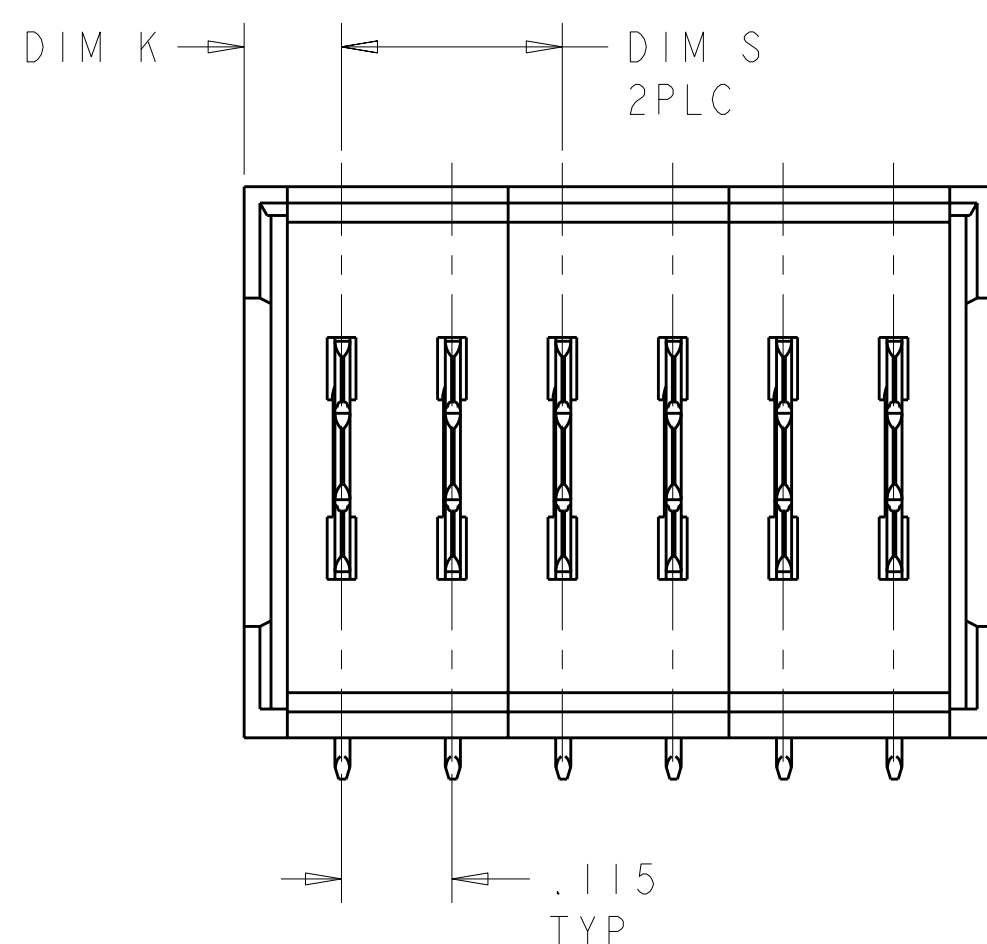
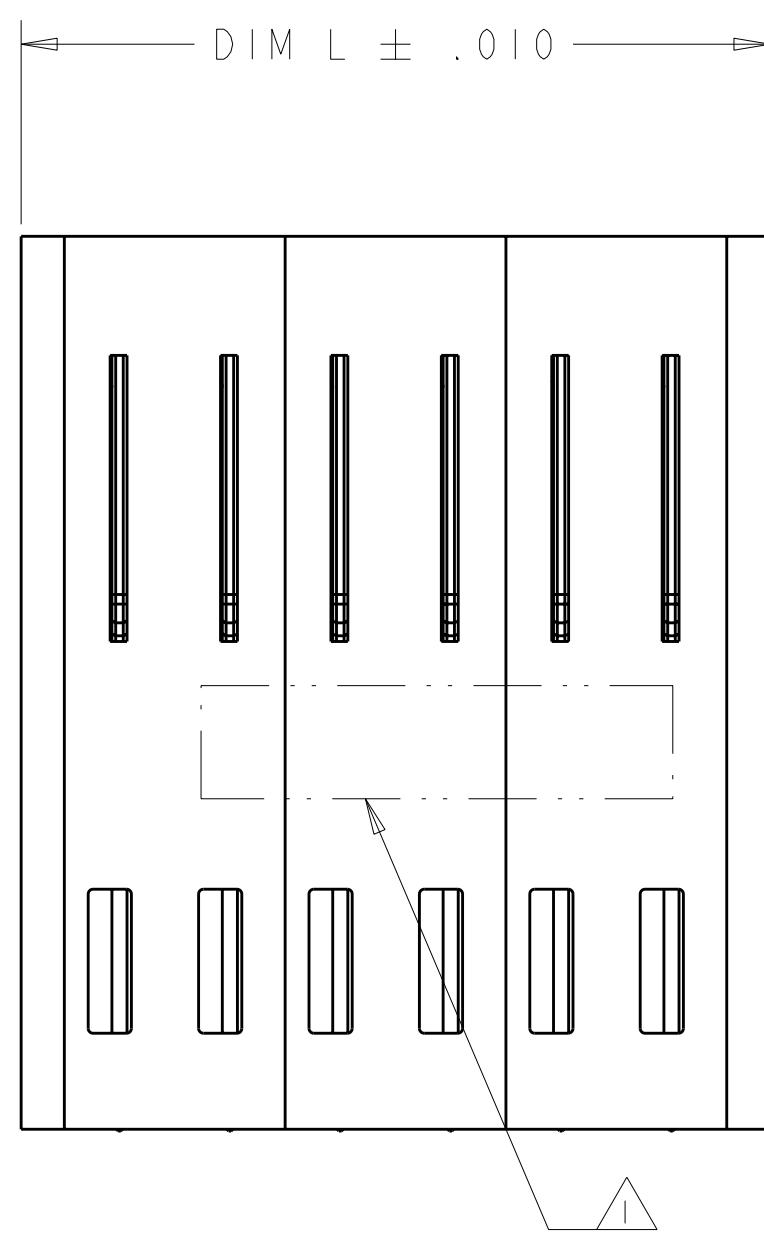


LOC	DIST	REVISIONS				
ES	00	REV	DESCRIPTION	DATE	DWN	APVD
		B	REV PER ECR-09-021321	27SEP2009	IL	SY
		C	REV PER ECR-10-016318	05AUG2010	IL	JC
		C1	REV PER ECR-10-016592	09AUG2010	IL	SZ



- △"AMP" PART NUMBER AND DATE CODE TO BE MARKED IN AREA SHOWN. PARTS UNDER 2.00 LONG MAY BE MARKED ON BOTH SIDES.
- △MATERIAL: HOUSING - GLASS FILLED HIGH TEMP THERMO PLASTIC, UL94 V-0
POWER CONTACT - HIGH CONDUCTIVITY COPPER ALLOY
- △CONTACT PLATING:
POWER CONTACT - .000050 MIN Ni UNDER ALL
.000030 MIN. Au AT CONTACT AREA
.000100 MIN Sn AT PCB INTERFACE.
- △MECHANICAL CONNECTOR KEEP OUT ZONE
- △DATUM AND BASIC DIMENSIONS ESTABLISHED BY CUSTOMER
- △PCB - ALL HOLE DIAMETERS ARE FINISHED HOLE SIZES.
- △PCB - .0453±.0010 DRILLED HOLES WITH .0003 WITH Sn OVER
.001 TO .003 Cu PLATING TO ACHIEVE A .040±.003 DIA HOLE
- △PLEASE REFER TO PART VIEW FOR DETAIL DIMENSIONS.

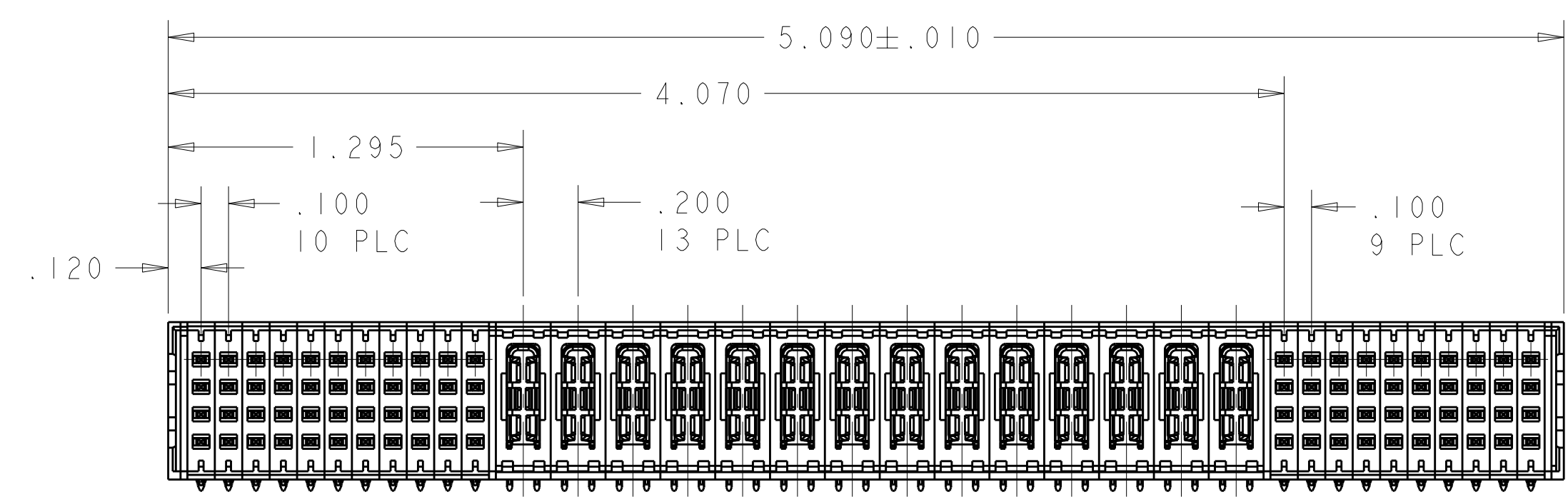
DIM S	DIM R	DIM W	DIM K	DIM L	DESCRIPTION	PART NUMBER
-	-	-	-	-	2ACP+1LP+32S+3HDP+1LP+1HDP	6450849-7
-	-	-	-	-	8P	6450849-4
-	-	-	-	-	12P	6450849-3
-	-	-	-	-	44S+14P+40S	6450849-2
.230	-	-	.1025	.780	6LP	6450849-1

DIMENSIONS: INCHES TOLERANCES UNLESS OTHERWISE SPECIFIED: 9 PLC ±.01 7 PLC ±.01 5 PLC ±.005 4 PLC ±.0020 ANGLES ±.0°		DWN: H. LIU 30APR2008 CHK: S. ZHAO 30APR2008 APVD: S. YAO NAME: S. YAO PRODUCT SPEC: 108-2292 APPLICATION SPEC: 114-13038 WEIGHT: - CUSTOMER DRAWING		Tyco Electronics Corporation Shanghai, P.R.China, 200233 RIGHT ANGLE HEADER ASSEMBLY NO GUIDES MULTI-BEAM XLE SIZE: A11 CAGE CODE: 00779 DRAWING NO: C=6450849 SCALE: 4:1 SHEET: 1 OF 4 REV: C1	
--	--	---	--	---	--

LOC		DIST		REV		REVISIONS				
ES	00	P	LTR	DATE	DWN	APVD	DESCRIPTION	DATE	DWN	APVD
							SEE SHEET 1			

PART NUMBER	POWER					
	LP1	LP2	LP3	LP4	LP5	LP6
6450849-1	LT	LT	LT	LTF	LTF	LTF

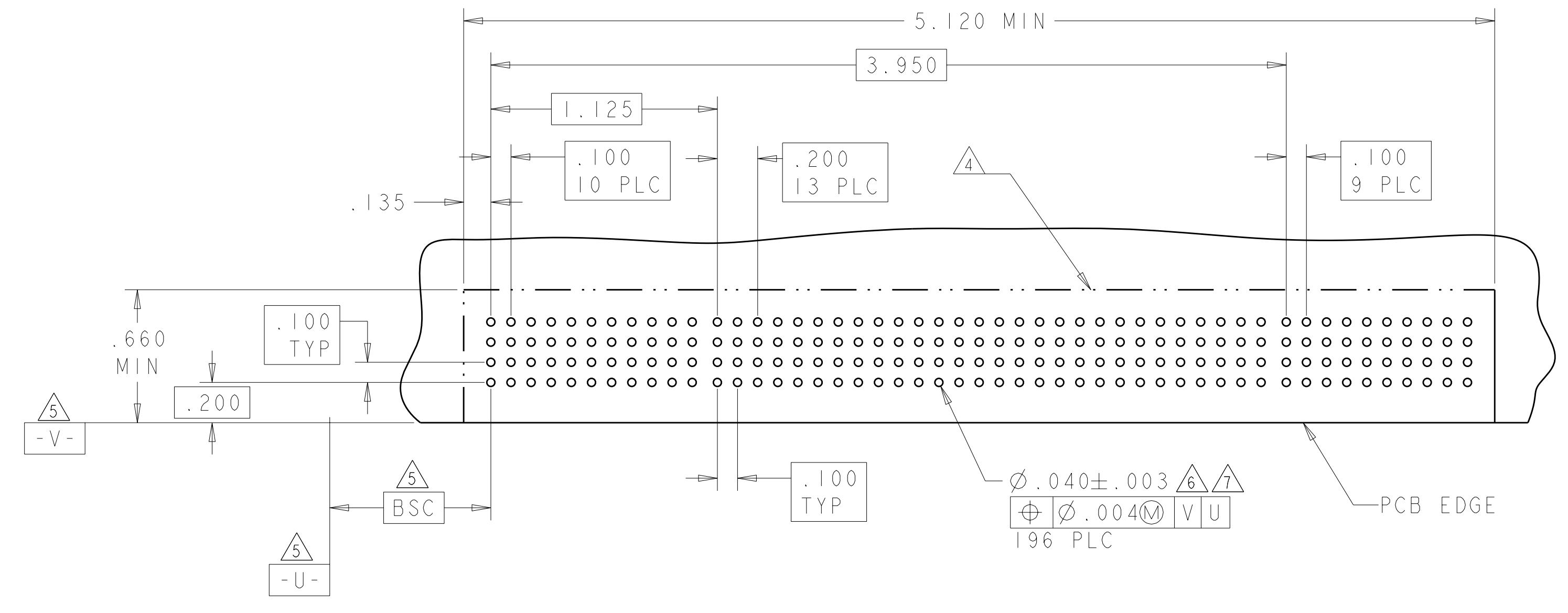
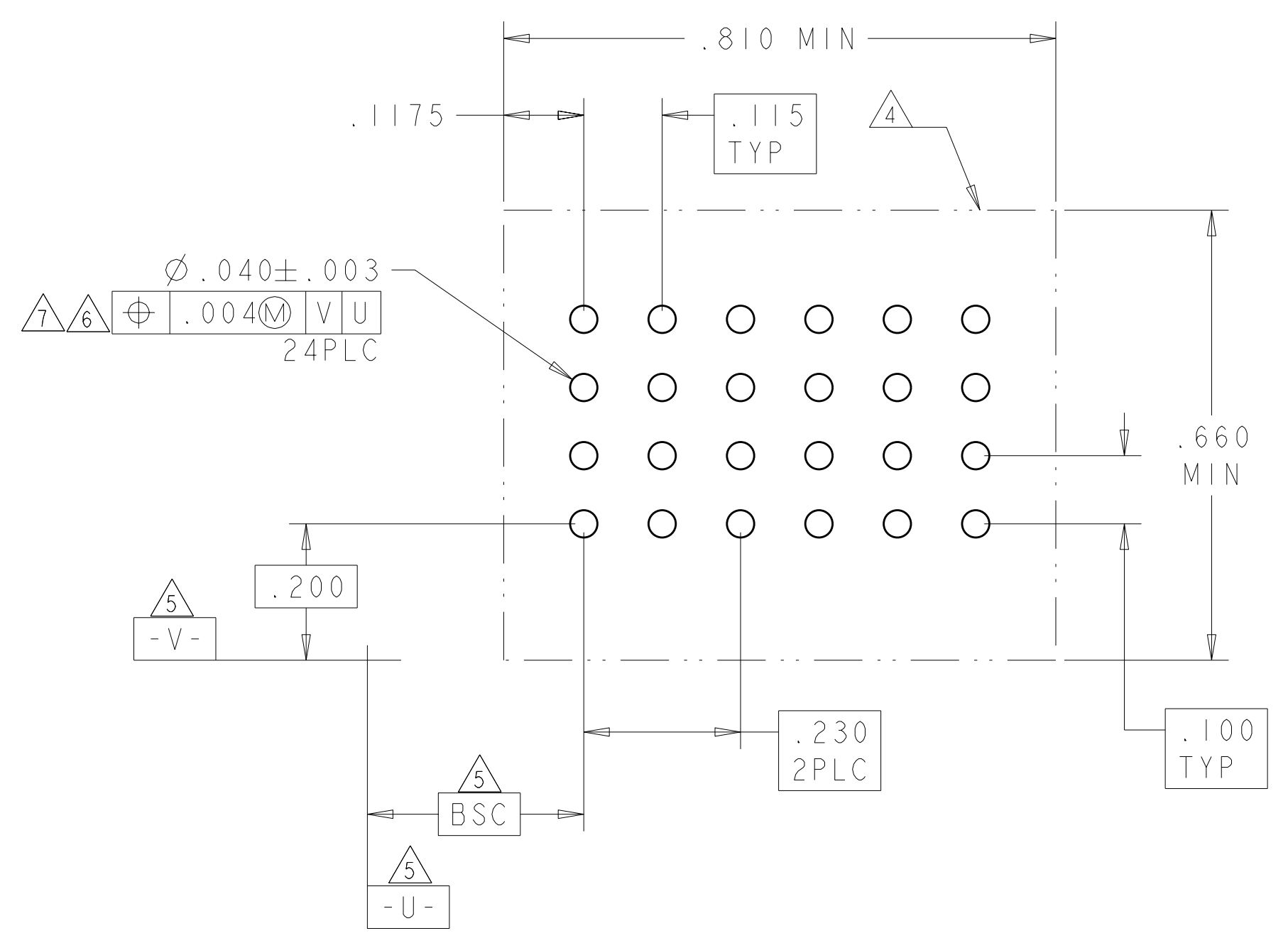
6 LP



PART NUMBER: 6450849-2

ASSY PART NUMBER	ROWS	SIGNAL										POWER										SIGNAL															
		1	2	3	4	5	6	7	8	9	10	11	P1	P2	P3	P4	P5	P6	P7	P8	P9	P10	P11	P12	P13	P14	1	2	3	4	5	6	7	8	9	10	
6450849-2	D	Z5	Z5	Z5	Z5	Z5	Z5	Z5	Z5	Z5	Z5																Z5	Z5	Z5	Z5	Z5	Z5	Z5	Z5	Z5	Z5	
	C	Y5	Y5	Y5	Y5	Y5	Y5	Y5	Y5	Y5	Y5																	Y5	Y5	Y5	Y5	Y5	Y5	Y5	Y5	Y5	Y5
	B	R5	R5	R5	R5	R5	R5	R5	R5	R5	R5																	R5	R5	R5	R5	R5	R5	R5	R5	R5	R5
	A	O5	O5	O5	O5	O5	O5	O5	O5	O5	O5																	O5	O5	O5	O5	O5	O5	O5	O5	O5	O5

44S + 14P + 40S

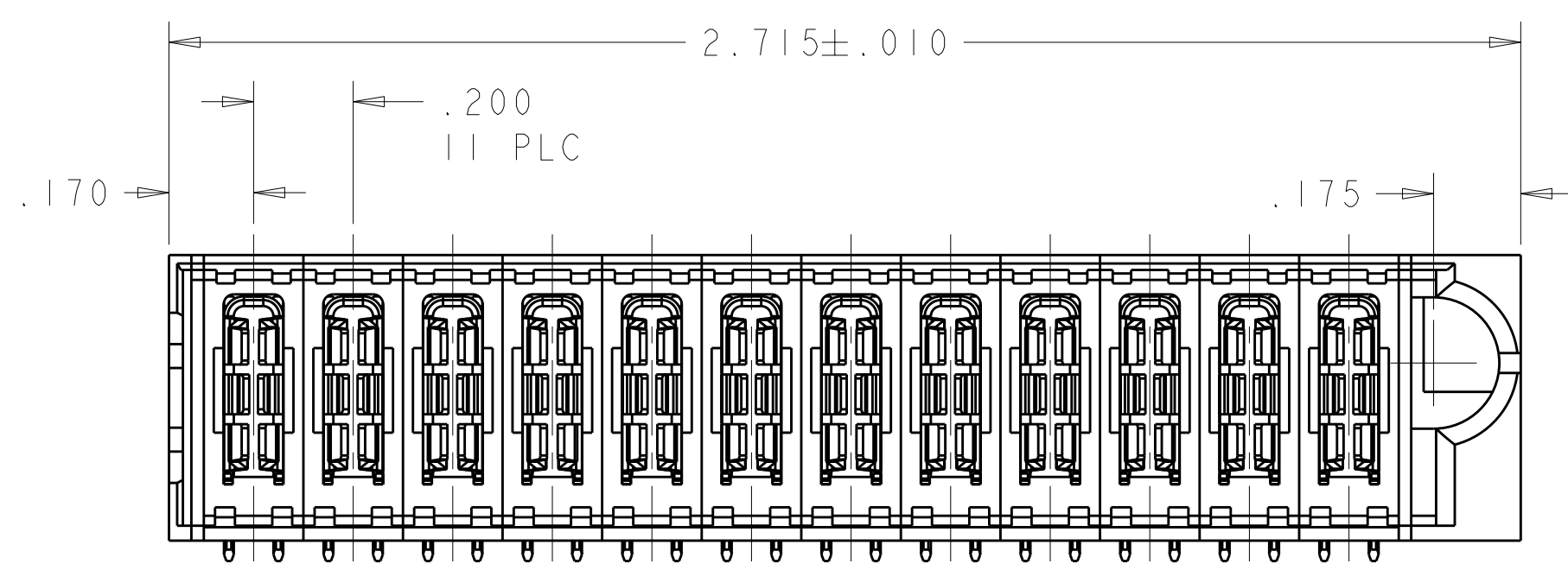


O1	.120 SIGNAL PRESS FIT CON, ROW A, MLBF
Z5	.120 SIGNAL PRESS FIT CON, ROW D, STD
Y5	.120 SIGNAL PRESS FIT CON, ROW C, STD
R5	.120 SIGNAL PRESS FIT CON, ROW B, STD
O5	.120 SIGNAL PRESS FIT CON, ROW A, STD
TT	.120 PRESS FIT POWER CON
LTF	MFBL, .120 TAIL LENGTH, PRESS FIT.
LT	STD, .120 TAIL LENGTH, PRESS FIT.
CODE	DESCRIPTION
	POWER CONTACT

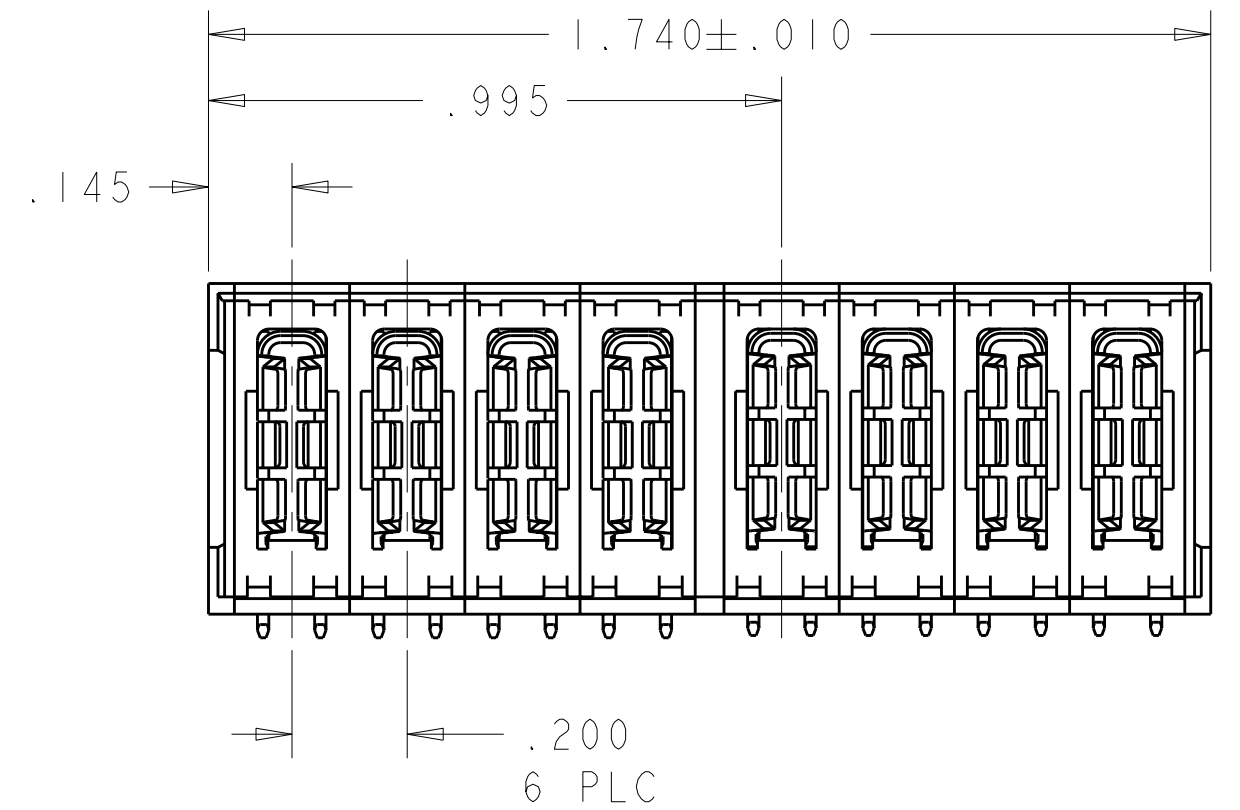
<small>THIS DRAWING IS UNPUBLISHED. IT IS SUBJECT TO CHANGE WITHOUT NOTICE AND WITHOUT OBLIGATION. TOLERANCES UNLESS OTHERWISE SPECIFIED:</small>		DWN: H. LLU 30APR2008 CHK: S. ZHAO 30APR2008 APVD: S. YAO		Tyco Electronics Corporation Shanghai, P.R. China, 200233	
DIMENSIONS: INCHES 		TOLERANCES UNLESS OTHERWISE SPECIFIED: 9 PLC ±. 5 PLC ±.01 4 PLC ±.005 ANGLES ±.0020		PRODUCT SPEC: 108-2292 APPLICATION SPEC: 114-13038 WEIGHT: - FINISH: -	
MATERIAL: - FINISH: -		NAME: S. YAO SIZE: 00779 CUSTOMER DRAWING		RIGHT ANGLE HEADER ASSEMBLY NO GUIDES MULTI-BEAM XLE SIZE: A1 CAGE CODE: 6450849 SCALE: 4:1 SHEET 2 OF 4 REV: C1	

LOC	DIST	REV	DATE	BY	APPD
ES	00				

REVISONS		DATE	BY	APPD
1	SEE SHEET 1			

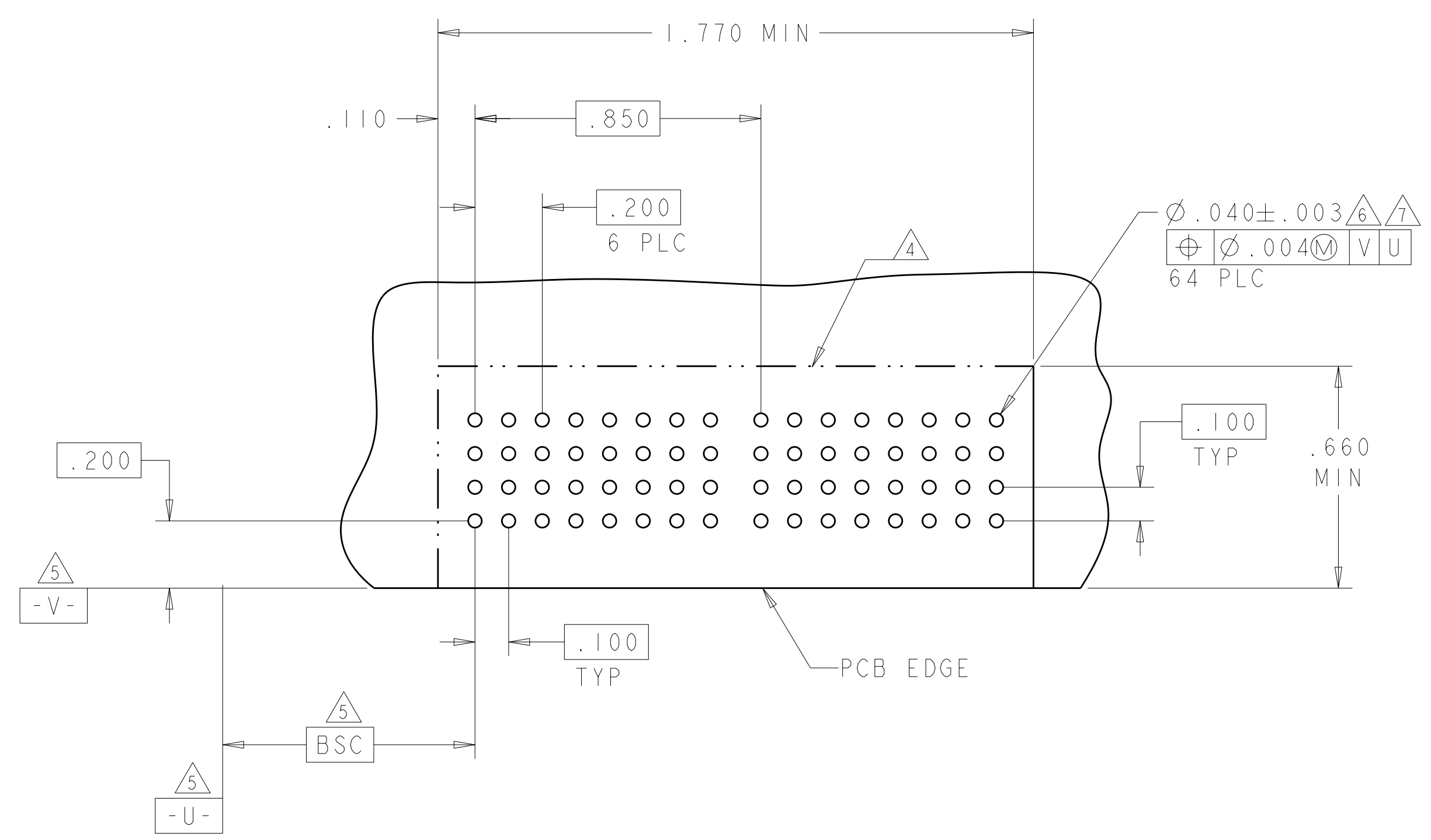
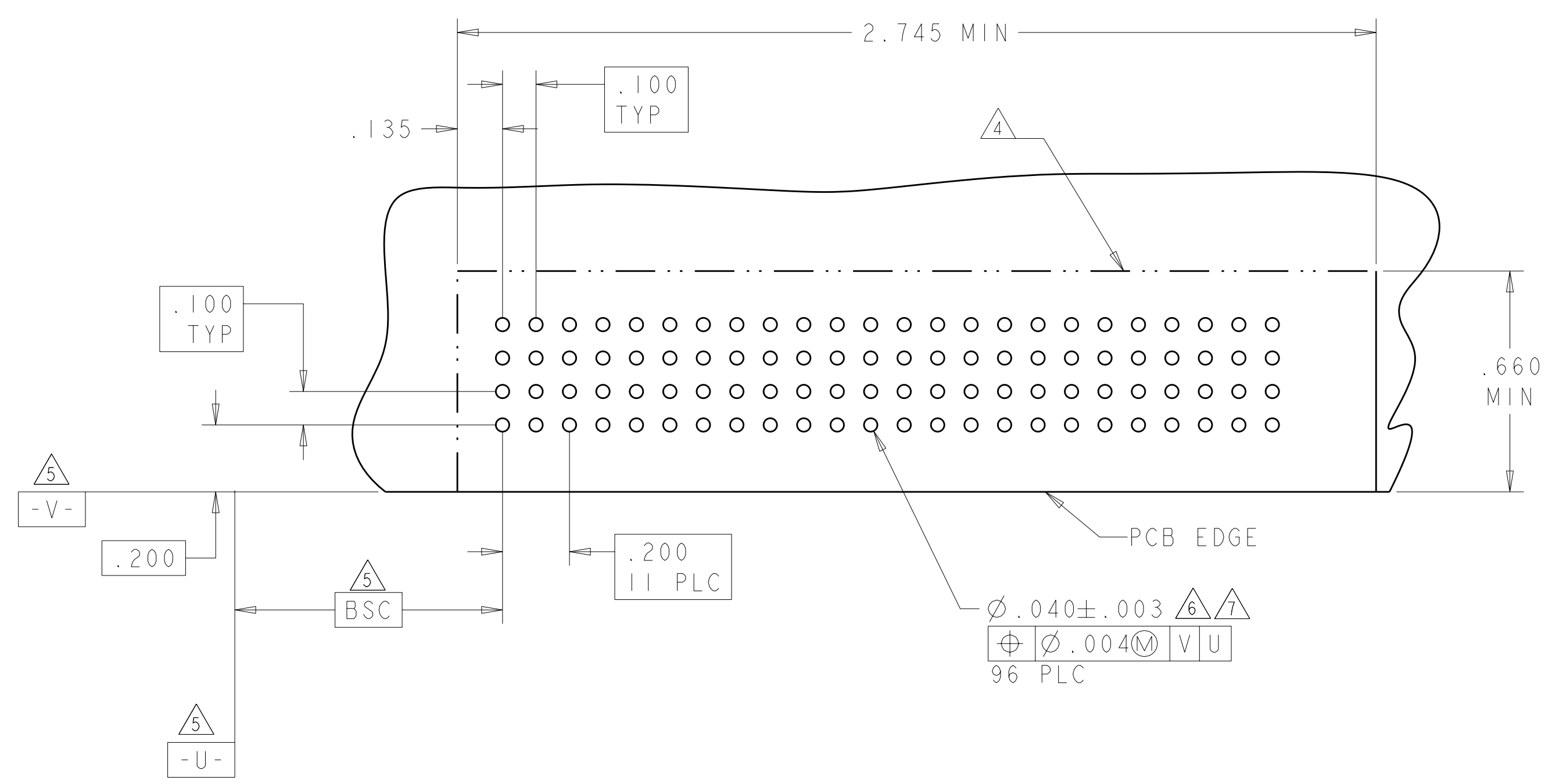


PART NUMBER: 6450849-3



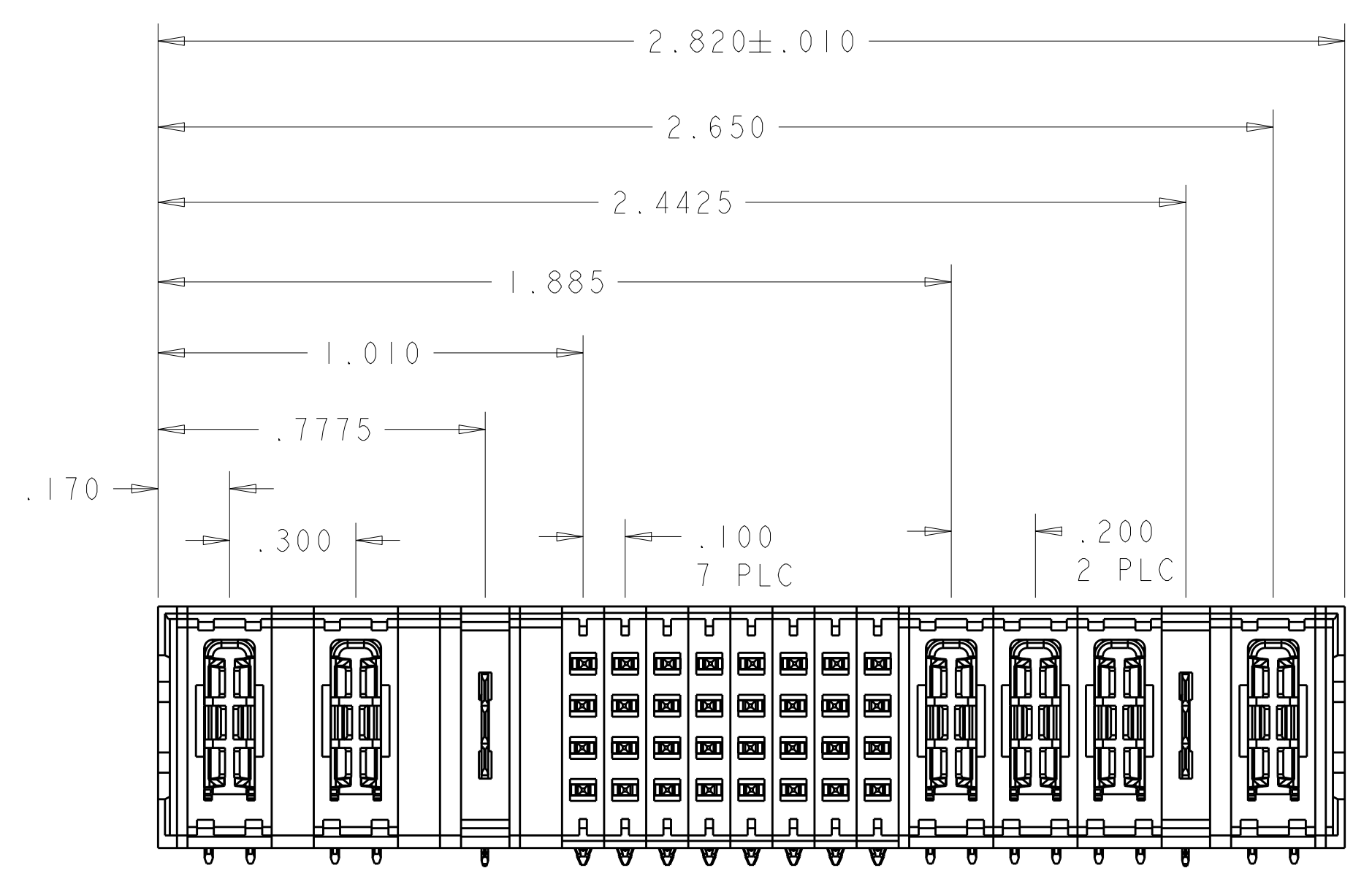
ASSY PART NUMBER	POWER											
	P1	P2	P3	P4	P5	P6	P7	P8	P9	P10	P11	P12
6450849-3	TT	TT	TT	TT	TT	TT	TT	TT	TT	TT	TT	TT
12P												

PART NUMBER	ROWS	POWER							
		P1	P2	P3	P4	P5	P6	P7	P8
6450849-4	D								
	C	TT	TT	TT	TT	TT	TT	TT	TT
	B								
	A								
8P									



DIMENSIONS: INCHES 		TOLERANCES UNLESS OTHERWISE SPECIFIED: 9 PLC ±. 8 PLC ±.01 5 PLC ±.01 4 PLC ±.005 ANGLES ±.0020		DWN: H. LIU 30APR2008 CHK: S. ZHAO 30APR2008 APVD: S. YAO NAME:		Tyco Electronics Corporation Shanghai, P.R. China, 200233	
MATERIAL:		FINISH:		PRODUCT SPEC: 108-2292 APPLICATION SPEC: 114-13038 WEIGHT:		RIGHT ANGLE HEADER ASSEMBLY NO GUIDES MULTI-BEAM XLE	
CUSTOMER DRAWING				SCALE: 4:1		SHEET 3 OF 4	

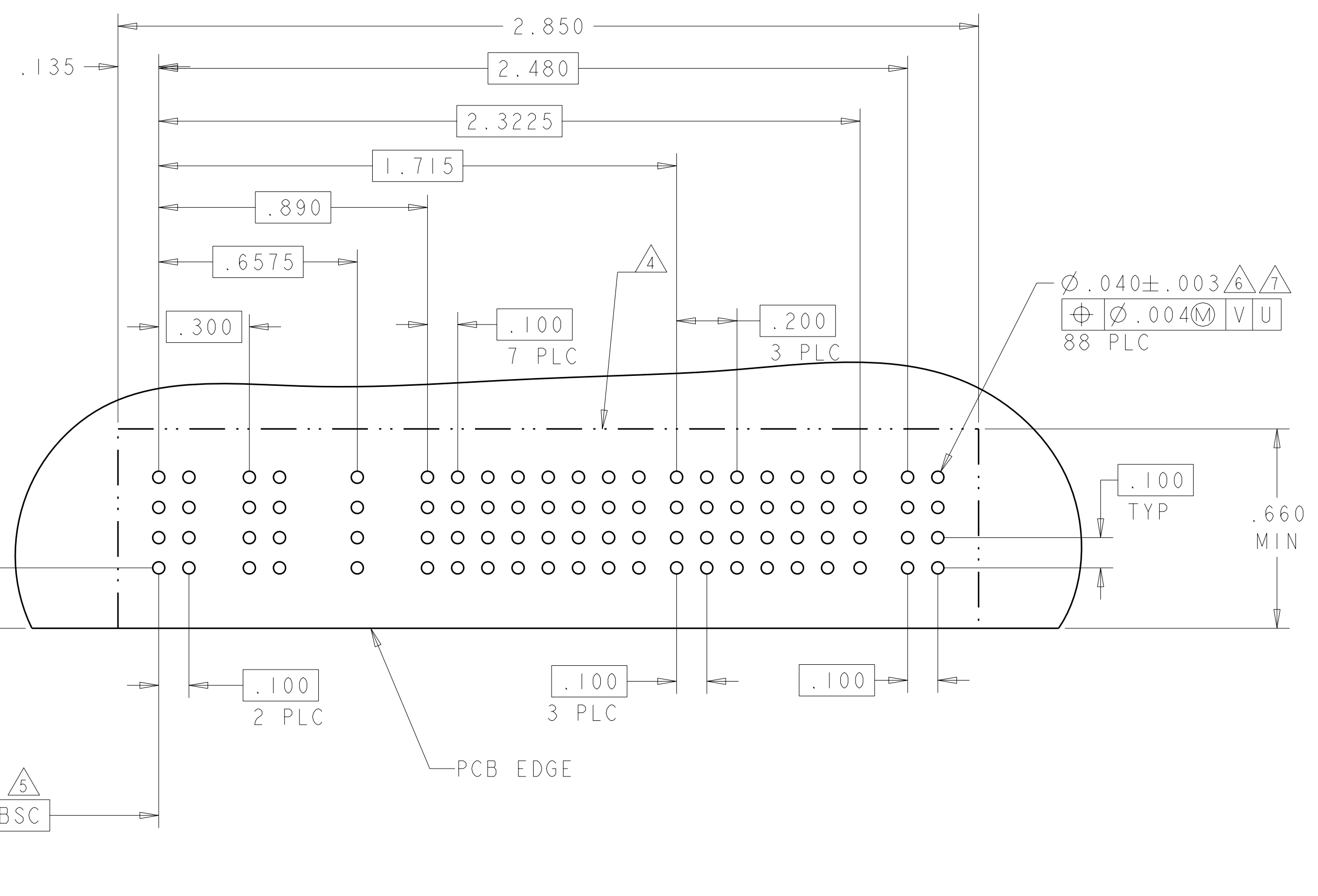
LOC		DIST		REVISIONS				
ES	00	P	LTB	DESCRIPTION	DATE	DWN	APVD	
				SEE SHEET 1				



C1

PART NUMBER	ROWS	POWER			SIGNAL								POWER					
		P1	P2	LPI	1	2	3	4	5	6	7	8	P3	P4	P5	LP2	P6	
6450849-7	D				Z5	Z5	Z5	Z5	Z5	Z5	Z5	Z5						
	C	TT	TT	LT	Y5	Y5	Y5	Y5	Y5	Y5	Y5	Y5	TT	TT	TT	LT	TT	
	B				R5	R5	R5	R5	R5	R5	R5	R5						
	A				O5	O5	O5	O5	O5	O5	O5	O1						

2ACP+1LP+32S+3HDP+1LP+1HDP



DIMENSIONS: INCHES 		TOLERANCES UNLESS OTHERWISE SPECIFIED: 9 PLC ±. 8 PLC ±.01 5 PLC ±.005 4 PLC ±.0020 ANGLES ±.0°		DWN H.L.LIU 30APR2008 CHK S.ZHAO 30APR2008 APVD S.YAO NAME PRODUCT SPEC 108-2292 APPLICATION SPEC 114-13038 WEIGHT CUSTOMER DRAWING		Tyco Electronics Corporation Shanghai, P.R.China, 200233 RIGHT ANGLE HEADER ASSEMBLY NO GUIDES MULTI-BEAM XLE SIZE CAGE CODE DRAWING NO RESTRICTED TO A 00779 C-6450849 SCALE 4:1 SHEET 4 OF 4 REV C1	
---------------------------	--	--	--	--	--	--	--