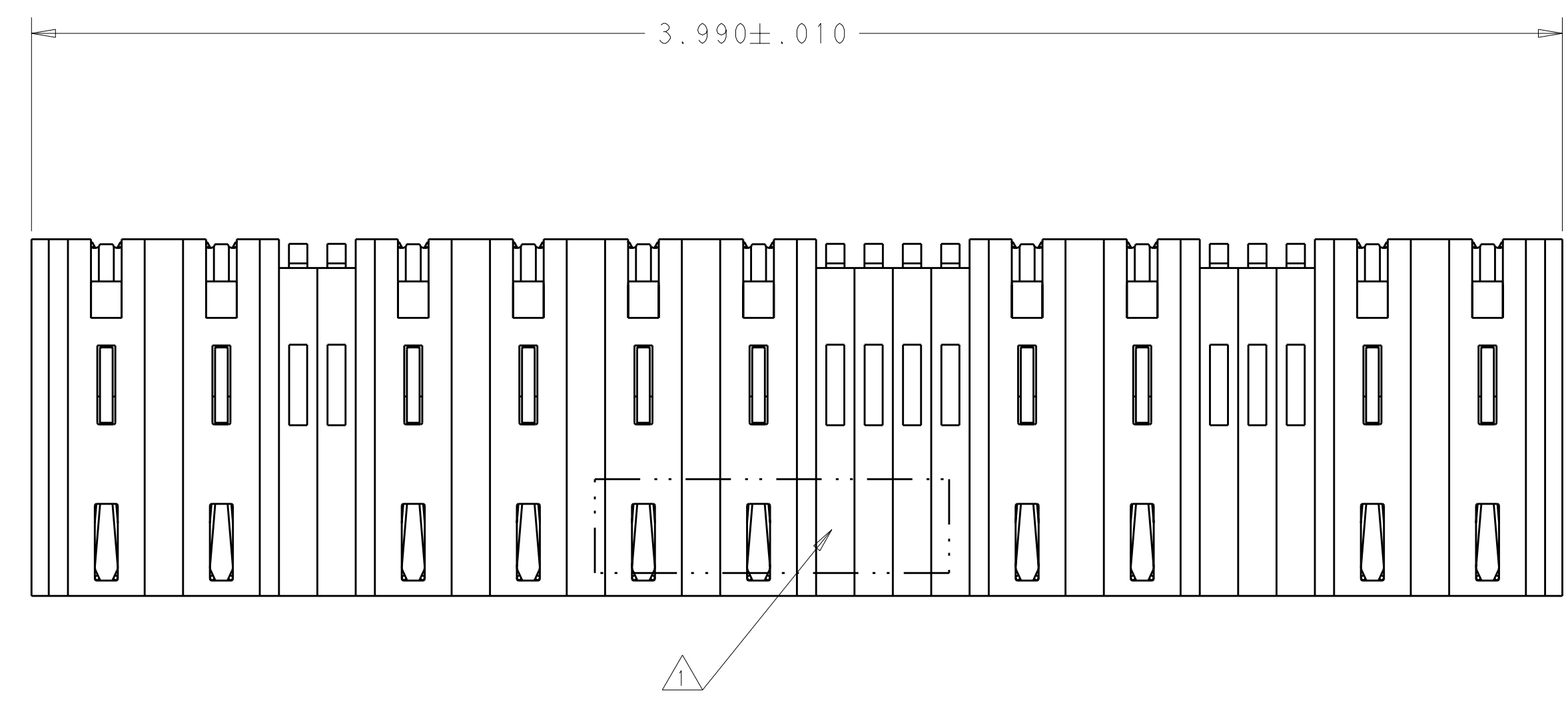
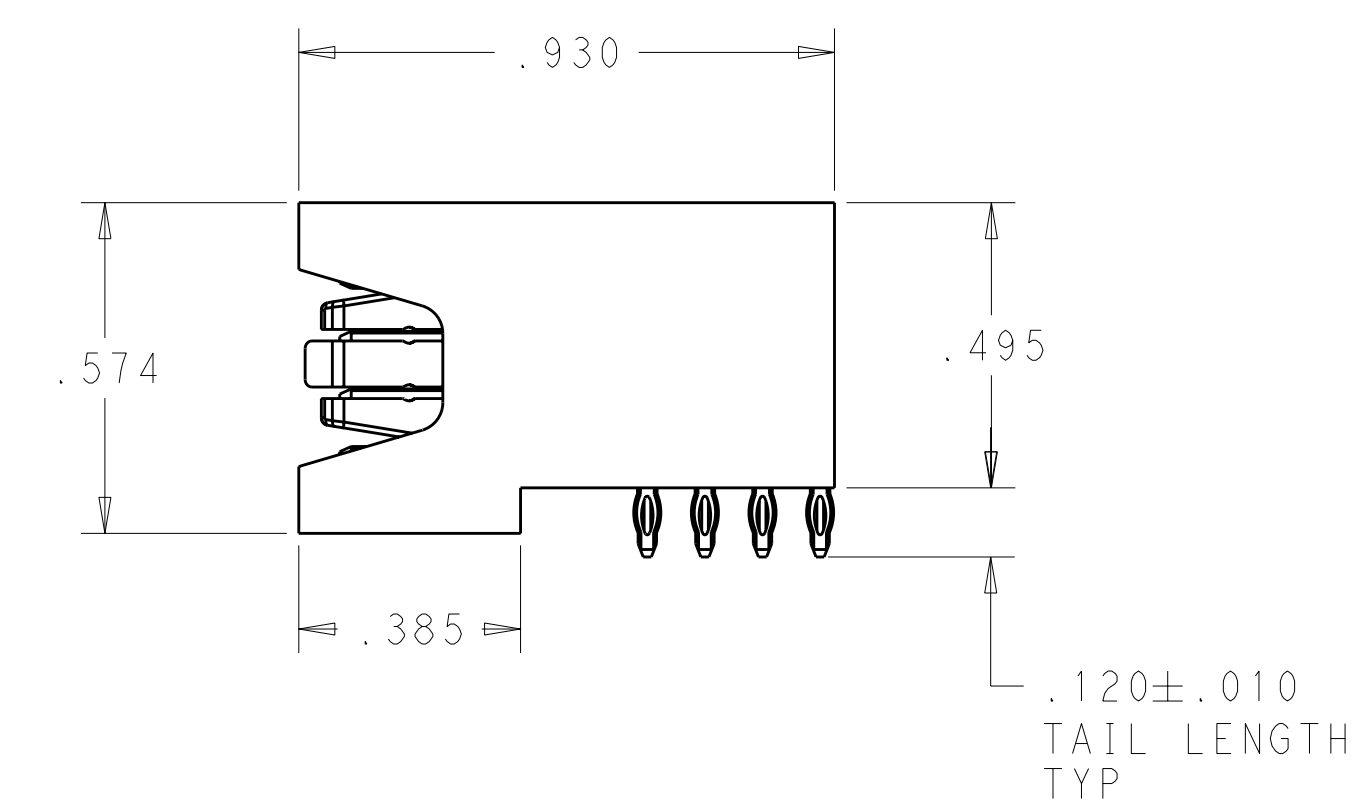
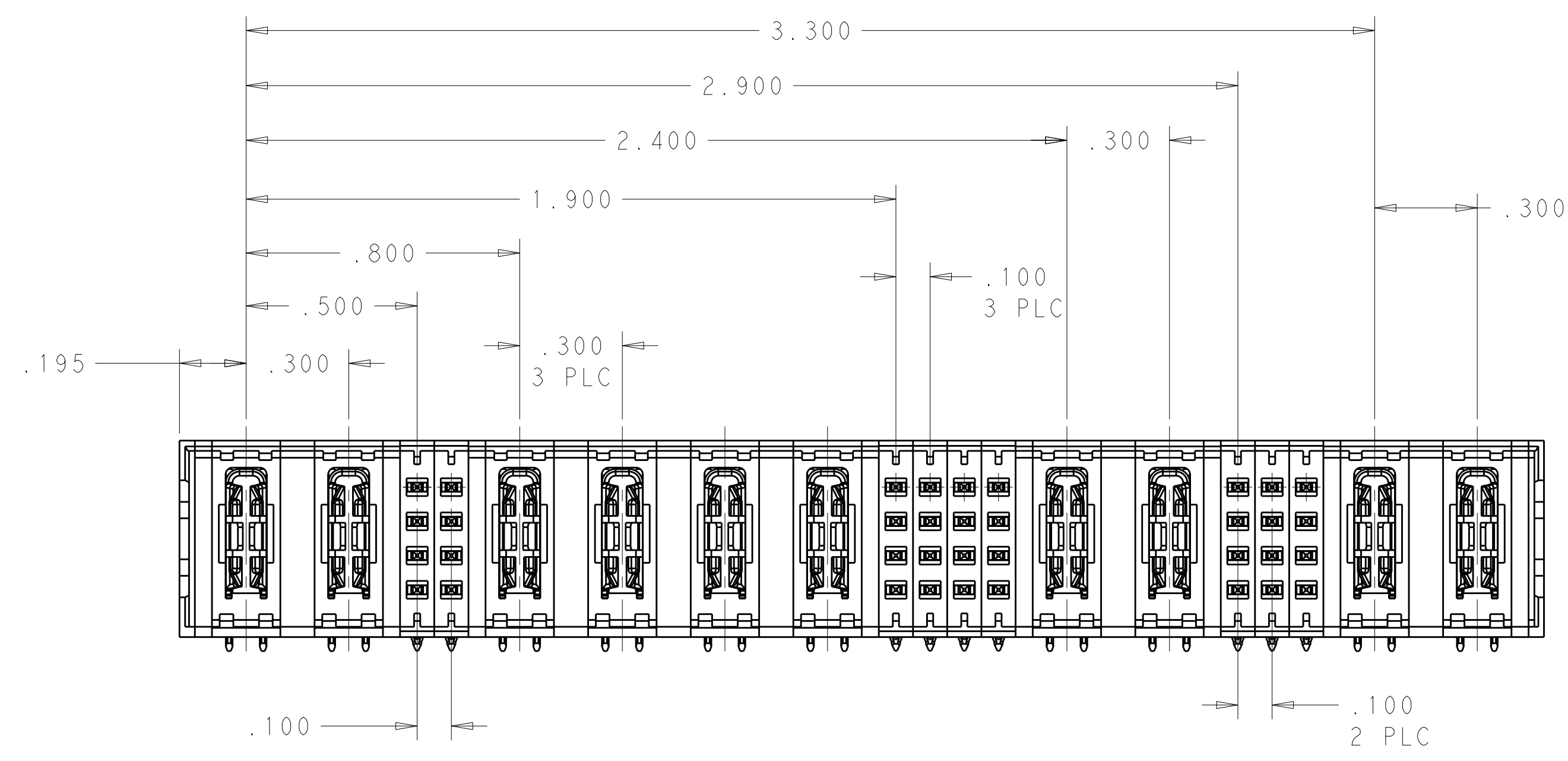


LOC	DIST	REVISIONS			
ES	00	REV	DATE	DWN	APVD
		A	REV PER ECR-10-003012	20FEB2010	CZ SY



- 1 "AMP", PART NUMBER, AND DATECODE TO BE MARKED IN AREA SHOWN. PARTS UNDER 2.00 LONG MAY BE MARKED ON BOTH SIDES.
- 2 MATERIAL: HOUSING - GLASS FILLED HIGH TEMP THERMO PLASTIC, BLACK, UL94 V-0
 SIGNAL CONTACT - COPPER ALLOY
 POWER CONTACT - HIGH CONDUCTIVITY COPPER ALLOY
- 3 CONTACT PLATING: SIGNAL CONTACTS - .000050 MIN Ni UNDER ALL.
 .000030 MIN. Au ON CONTACT AREA.
 .000100 MIN Sn AT PCB INTERFACE.)
 POWER CONTACTS - .000050 MIN Ni UNDER ALL.
 .000030 MIN Au AT CONTACT AREA.
 .000100 MIN Sn AT PCB INTERFACE.
- 4 MECHANICAL CONNECTOR KEEP OUT ZONE.
- 5 DATUM AND BASIC DIMENSIONS ESTABLISHED BY CUSTOMER.
- 6 PCB - HOLE DIAMETERS ARE FINISHED HOLE SIZE.
- 7 PCB - .0453 ± .0010 DRILLED HOLES PLATED WITH .0003 MIN Sn OVER .001 TO .003 Cu PLATING TO ACHIEVE A .040 DIA HOLE.

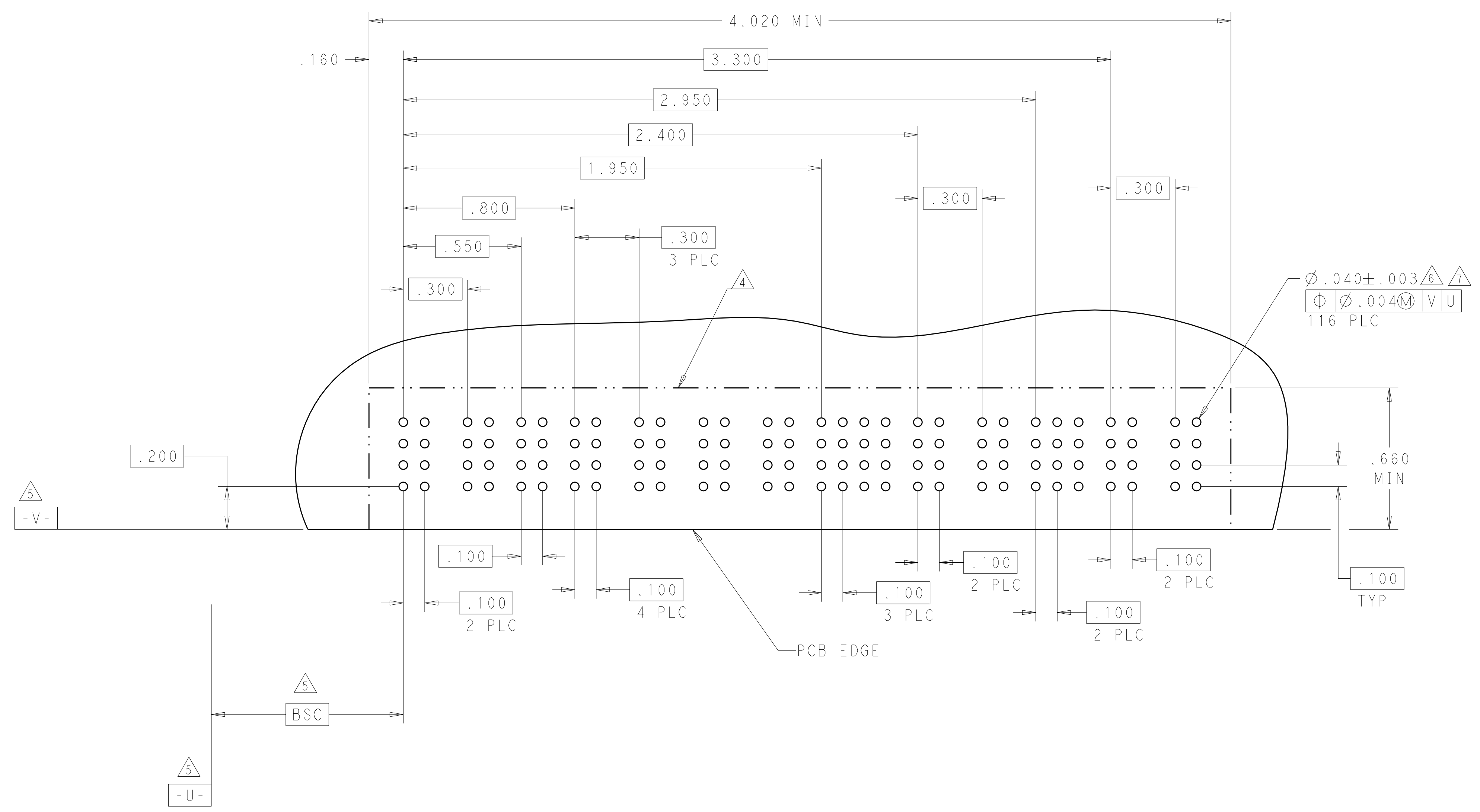


2ACP+8S+4ACP+16S+2ACP+12S+2ACP	6450849-6
DESCRIPTION	PART NUMBER

DIMENSIONS: INCHES 		TOLERANCES UNLESS OTHERWISE SPECIFIED: 9 PLC ± 1 PLC ± 2 PLC ± 3 PLC ± 4 PLC ±.005 ANGLES ±.0020 #2 FINISH		DWN: C. ZHOU 28DEC2009 CHK: S. ZHAO APVD:		Tyco Electronics Corporation Shanghai, P.R.China, 200233	
MATERIAL:		FINISH:		NAME: RIGHT ANGLE HEADER ASSEMBLY W/LP CONTACTS WITH SHORT END MODEL MULTI-BEAM XLE		RESTRICTED TO:	
CUSTOMER DRAWING		WEIGHT:		SIZE: CAGE CODE DRAWING NO: A100779 C=6450849-6		SCALE: 1:1 SHEET 1 OF 2 REV A	

LOC	DIST	REV	DATE	BY	APPD
ES	00				
DESCRIPTION			DATE	BY	APPD
SEE SHEET 1					

PART NUMBER	ROWS	POWER		SIGNAL				POWER				SIGNAL				POWER		SIGNAL				POWER	
		P1	P2	1	2	P3	P4	P5	P6	3	4	5	6	P7	P8	7	8	9	P9	P10			
6450849-6	D C B A	TT	TT	Z5	Z5	TT	TT	TT	TT	Z5	Z5	Z5	Z5	TT	TT	Z5	Z5	Z5	TT	TT			
				Y5	Y5					Y5	Y5	Y5	Y5			Y5	Y5	Y5					
				R5	R5					R5	R5	R5	R5			R5	R5	R5					
				O5	O5					O5	O5	O5	O5			O5	O5	O5					
2ACP+8S+4ACP+16S+2ACP+12S+2ACP																							



DIMENSIONS: INCHES		TOLERANCES UNLESS OTHERWISE SPECIFIED:		DWN C. ZHOU 28DEC2009		Tyco Electronics Corporation Shanghai, P.R.China, 200233	
		9 PLC ± 8 PLC ± 5 PLC ± 4 PLC ±.0020 ANGLES #2		CHK S. ZHAO 28DEC2009		NAME RIGHT ANGLE HEADER ASSEMBLY W/LP CONTACTS WITH SHORT END MODEL MULTI-BEAM XLE	
MATERIAL		FINISH		PRODUCT SPEC 108-2292 APPLICATION SPEC 114-13251		SIZE CAGE CODE DRAWING NO A100779C-6450849-6	
				WEIGHT CUSTOMER DRAWING		RESTRICTED TO SCALE 1:1 SHEET 2 OF 2 REV A	