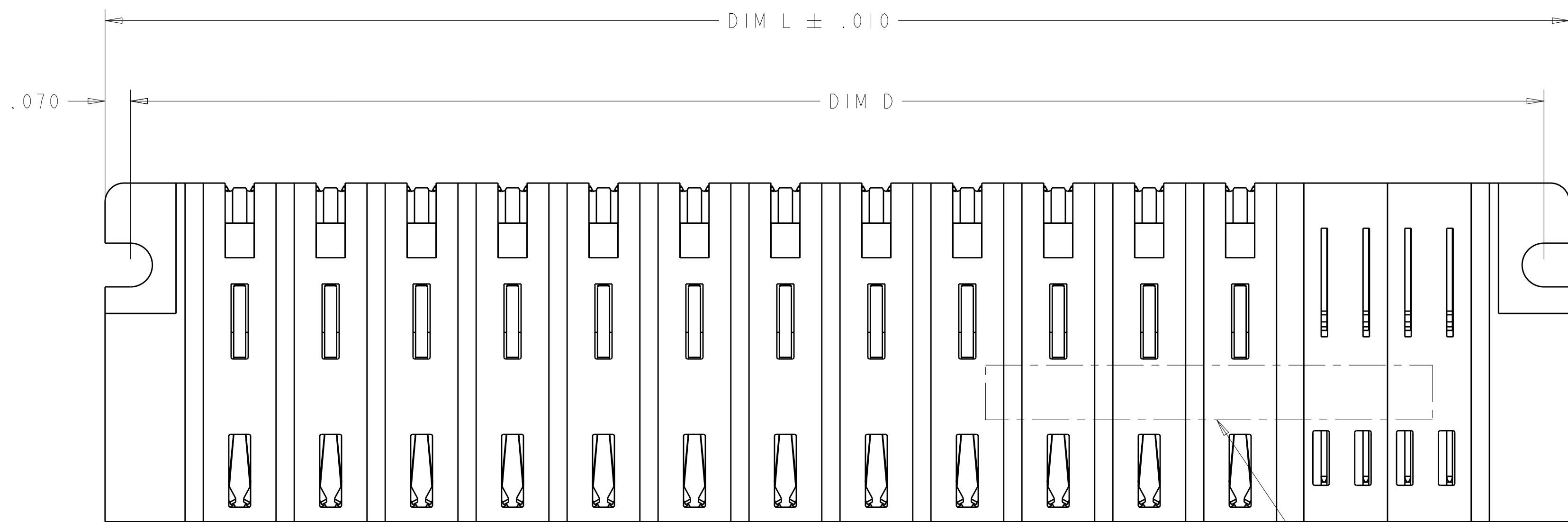
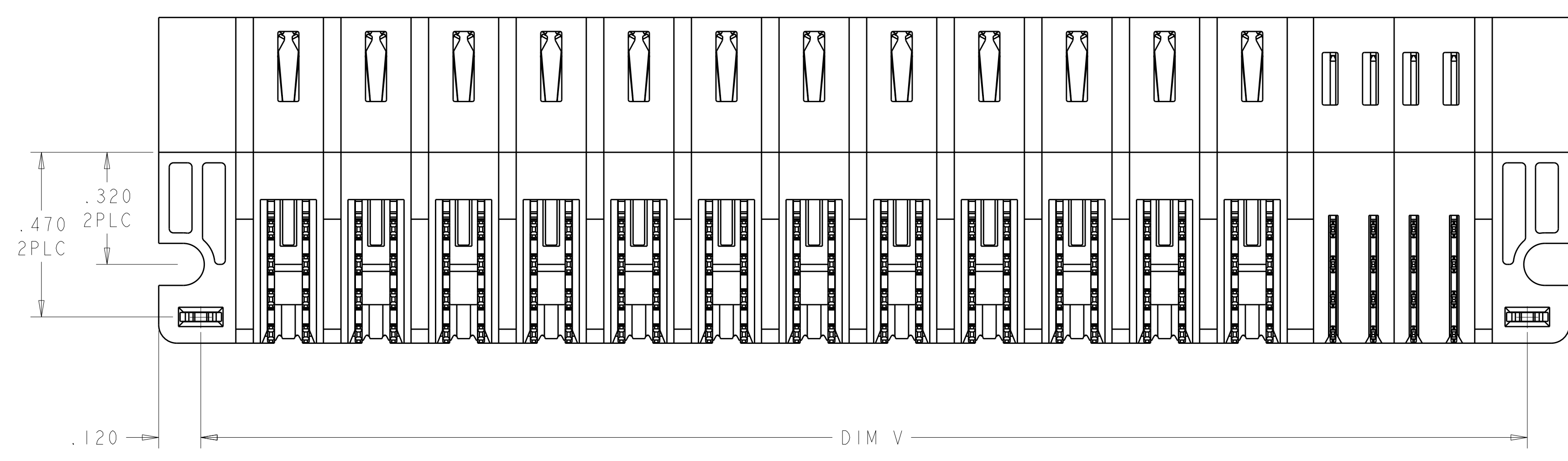
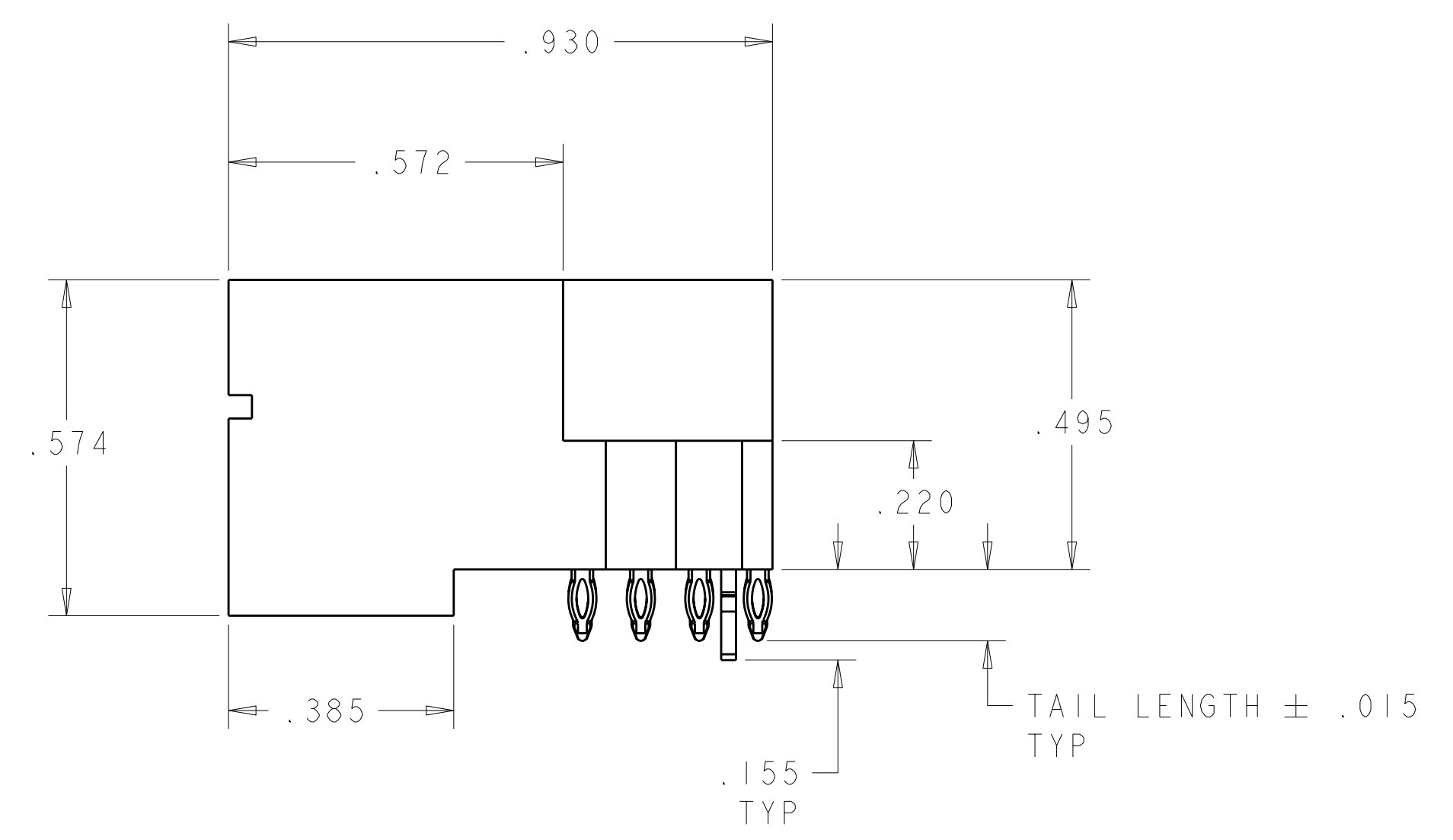
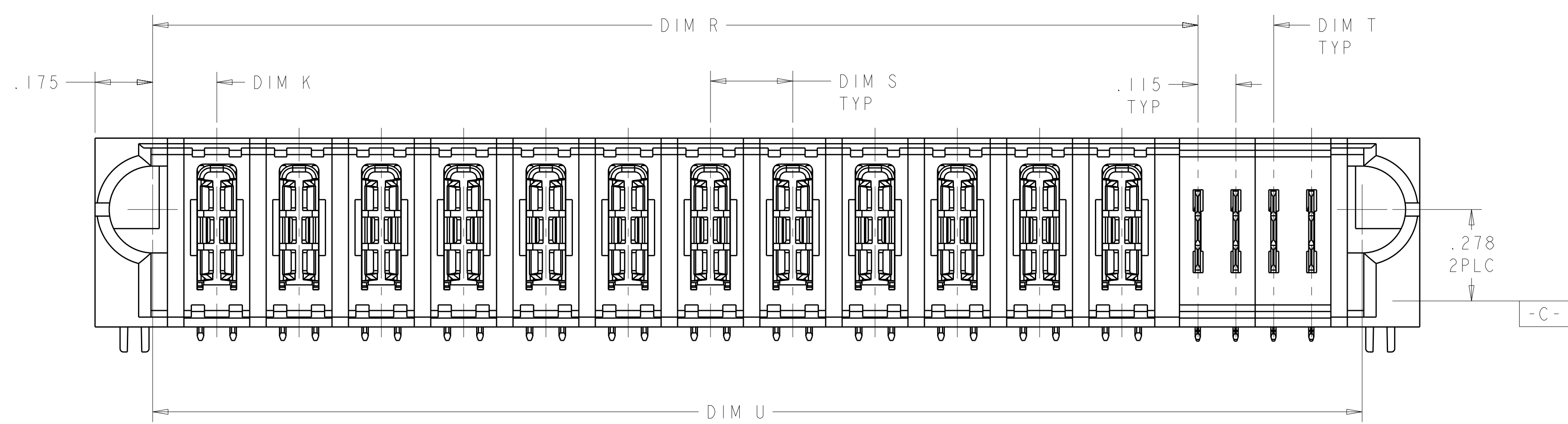


LOC	DIST	REV	DATE	BY	APPD
ES	00	A4	21JUN2011	AY	SZ



- ① "AMP", PART NUMBER, AND DATECODE TO BE MARKED IN AREA SHOWN. PARTS UNDER 2.00 LONG MAY BE MARKED ON BOTH SIDES.
- ② MATERIAL: HOUSING - GLASS FILLED HIGH TEMP THERMO PLASTIC, BLACK, UL94 V-0
SIGNAL CONTACT - COPPER ALLOY
POWER CONTACT - HIGH CONDUCTIVITY COPPER ALLOY
- ③ CONTACT PLATING: SIGNAL CONTACTS - .000050 MIN Ni UNDER ALL.
.000030 MIN. Au ON CONTACT AREA.
.000100 MIN Sn AT PCB INTERFACE.)
POWER CONTACTS - .000050 MIN Ni UNDER ALL.
.000030 MIN Au AT CONTACT AREA.
.000100 MIN Sn AT PCB INTERFACE.
- ④ MECHANICAL CONNECTOR KEEP OUT ZONE.
- ⑤ DATUM AND BASIC DIMENSIONS ESTABLISHED BY CUSTOMER.
- ⑥ PCB - HOLE DIAMETERS ARE FINISHED HOLE SIZE.
- ⑦ PCB - .0453±.0010 DRILLED HOLES PLATED WITH .0003 MIN Sn OVER .001 TO .003 Cu PLATING TO ACHIEVE A .040 DIA HOLE.
- ⑧ VARIABLE DIMENSION SHOWN ON TABLE.
- ⑨ NOT RELEASE FOR PRODUCTION.



	DIM T	DIM V	DIM R	DIM U	DIM S	DIM D	DIM L	DIM K	DESCRIPTION	PART NUMBER
④	-	1.450	-	1.340	.200	1.550	1.690	.170	6HDP	6450843-8
	-	1.600	-	1.490	.200	1.700	1.840	.145	7HDP	6450843-7
	-	2.300	-	2.190	.300	2.400	2.540	.195	7ACP	6450843-6
⑨	-	2.200	-	2.090	.200	2.300	2.440	.145	10P	6450843-5
③	-	1.200	-	1.090	.250	1.300	1.440	.170	4P	6450843-3
⑨	-	2.650	-	2.540	⑧	2.750	2.890	.145	12P	6450843-2

THIS DRAWING IS A CONTROLLED DOCUMENT.

DIMENSIONS: INCHES

TOLERANCES UNLESS OTHERWISE SPECIFIED:

9 PLC	±
3 PLC	±.01
5 PLC	±.005
4 PLC	±.0020
ANGLES	±.0020

MATERIAL: - FINISH: -

DATE: 12JUN2008
 DWG: HESPER LIU
 CHK: SUNY ZHAO
 APVD: SUNY ZHAO

NAME: SUNY ZHAO

PRODUCT SPEC: 108-2292

APPLICATION SPEC: 114-13251

WEIGHT: -

CUSTOMER DRAWING

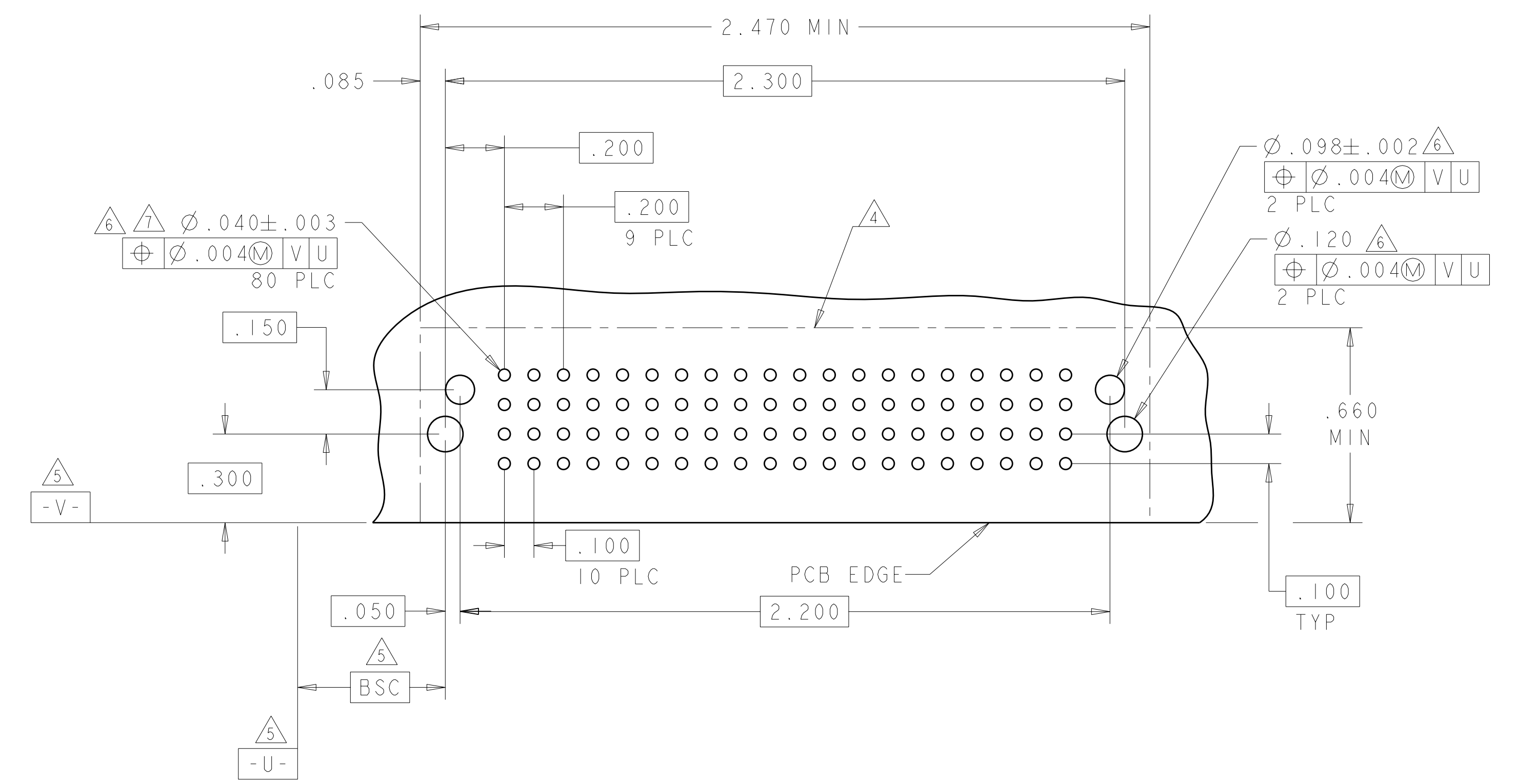
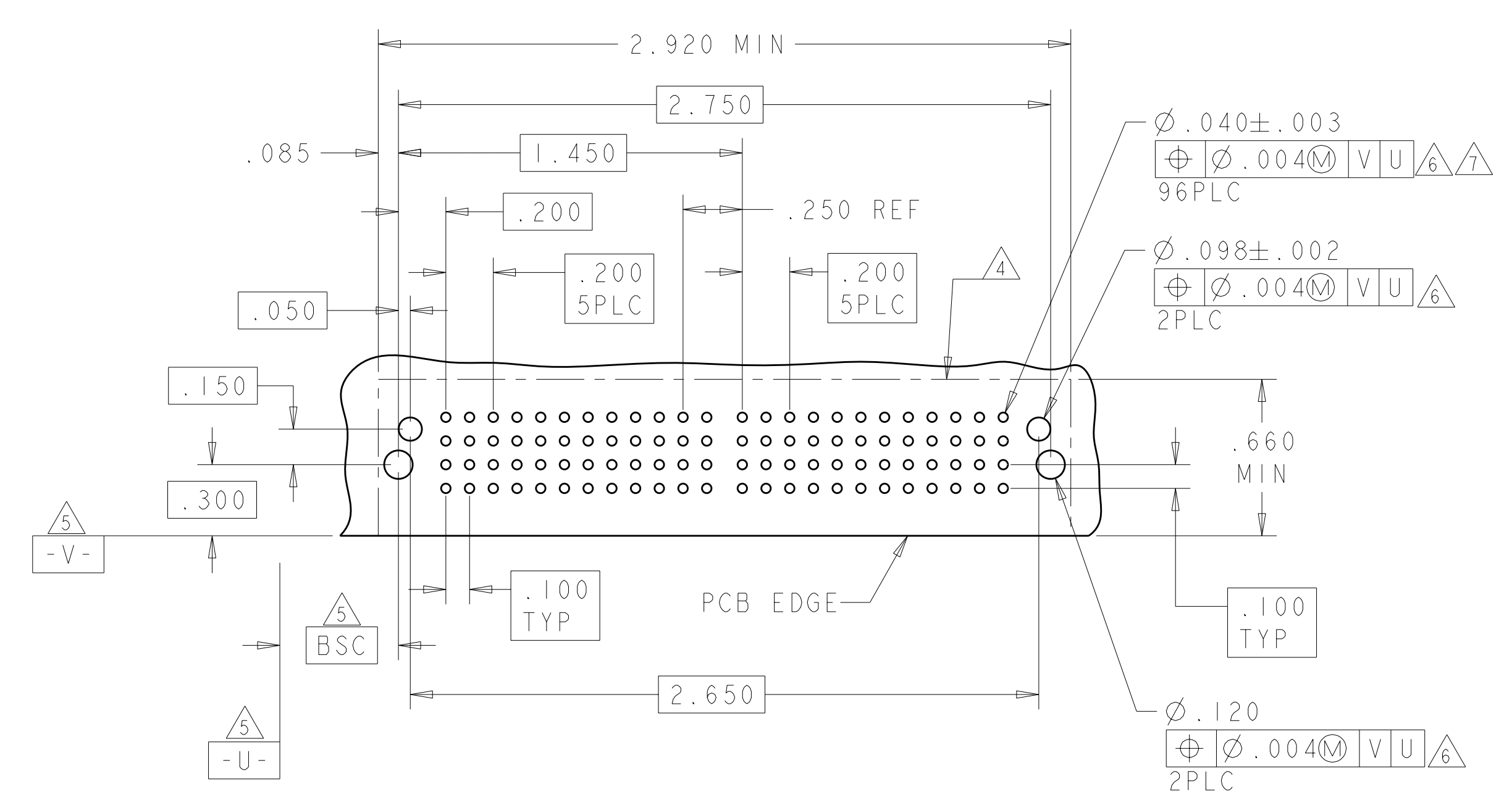
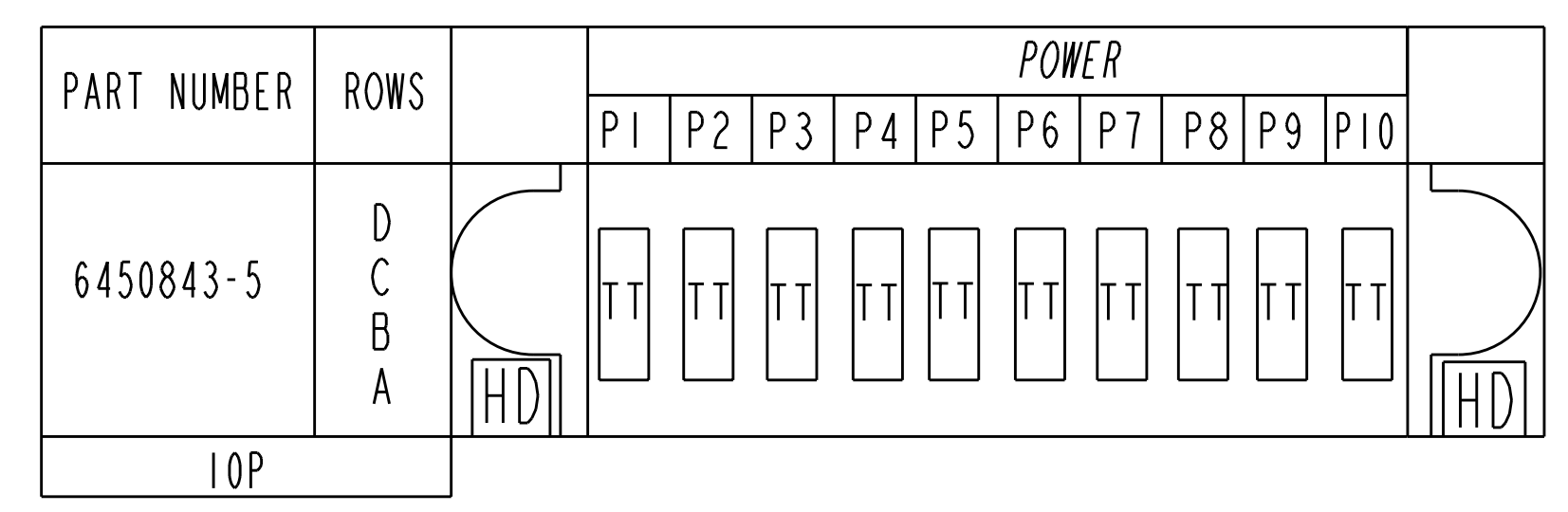
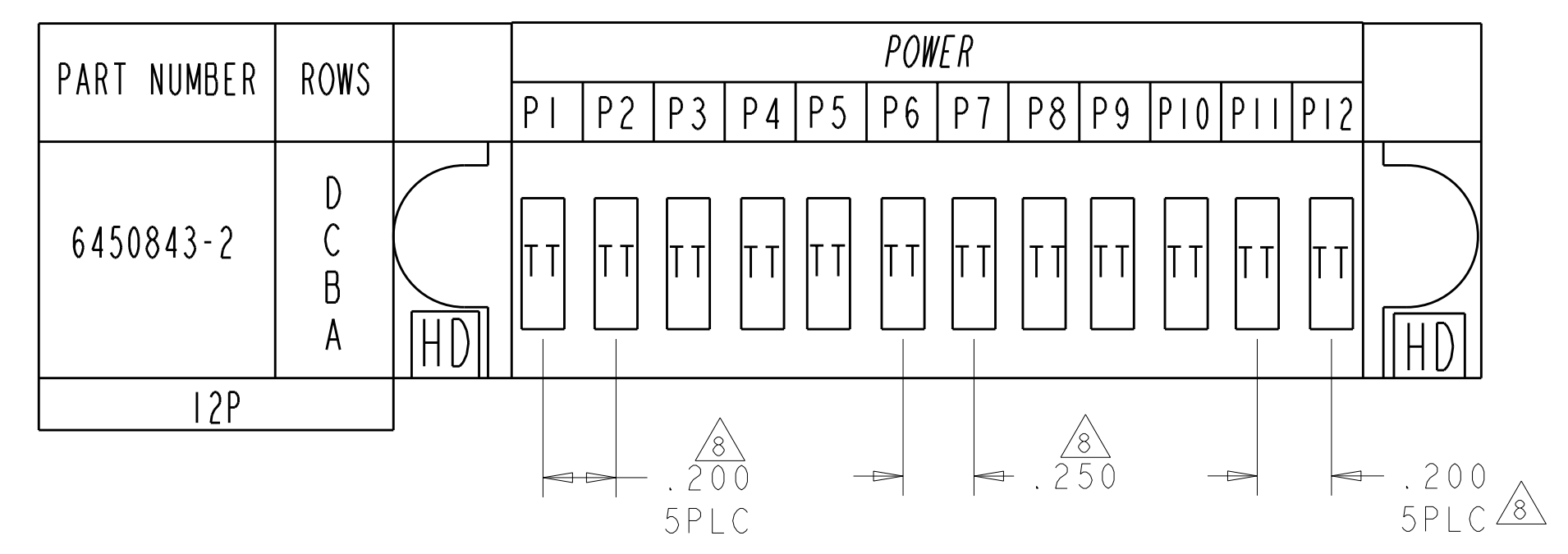
SCALE: 4:1 SHEET 1 OF 5 REV A4

STE TE Connectivity

RIGHT ANGLE HEADER
 W/ LP CONTACTS AND SHORT END MODULES
 MULTI-BEAM XLE

SIZE: CAGE CODE: DRAWING NO: A100779 C=6450843

LOC	DIST	REV	DATE	BY	APPD
ES	00				
REVISIONS			DESCRIPTION	DATE	BY
			SEE SHEET 1		



HOLD DOWN	HD
.120 PRESS FIT POWER CON	TT
DESCRIPTION	IDENTIFIER

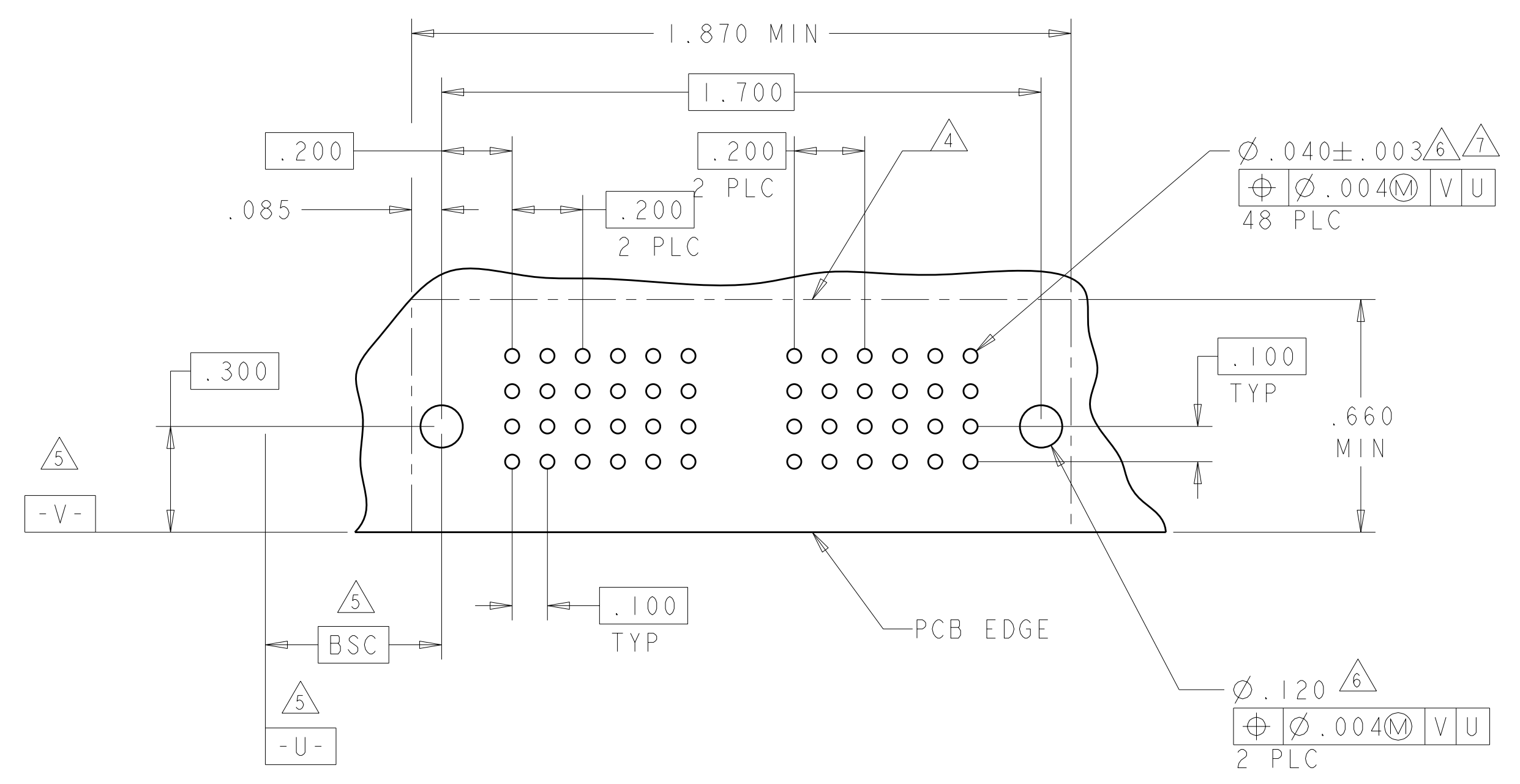
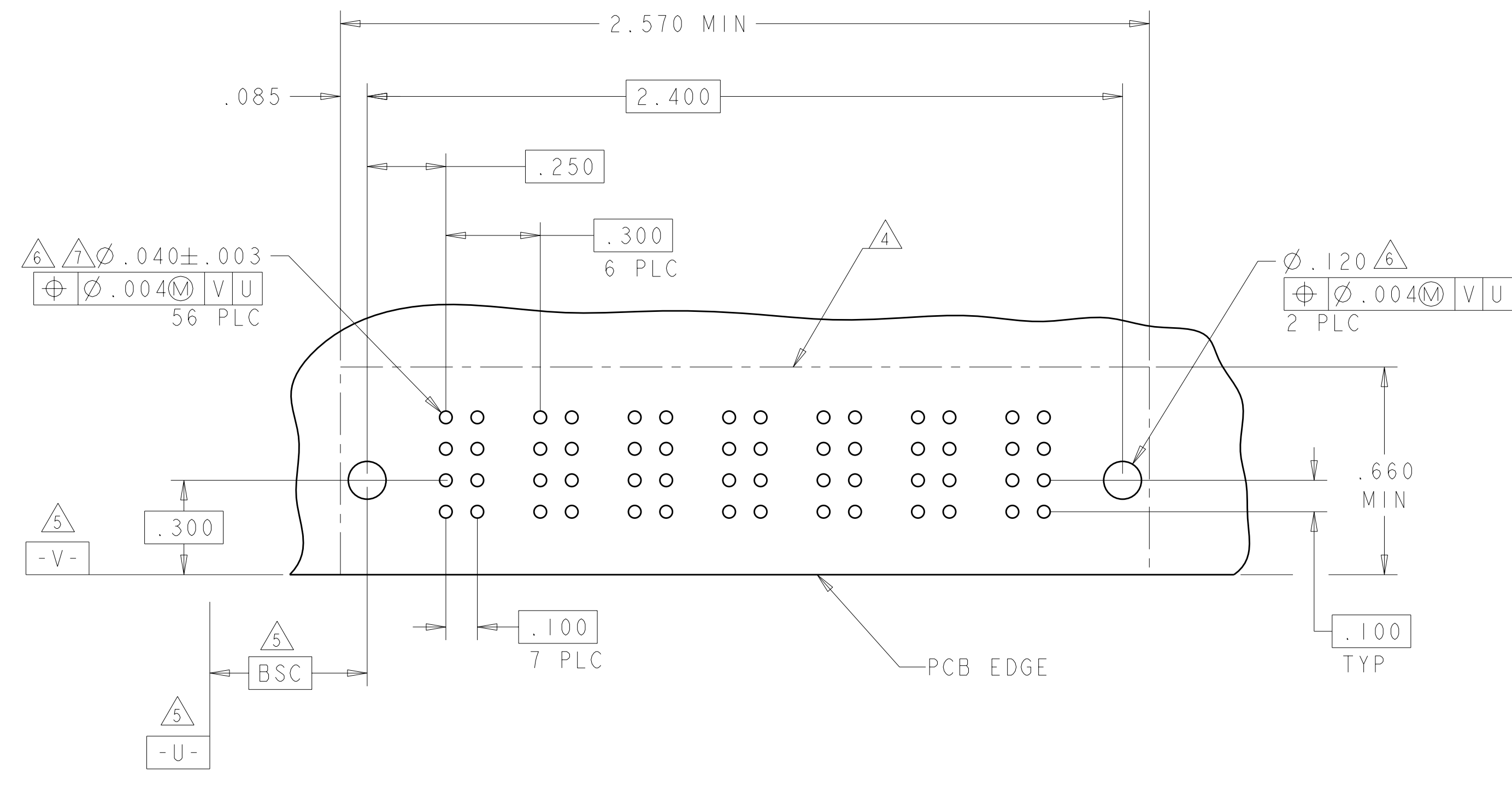
THIS DRAWING IS A CONTROLLED DOCUMENT.		DATE: 12JUN2008	APPROVED: SUNY ZHAO	NAME: SUNY ZHAO
DIMENSIONS: INCHES		TOLERANCES UNLESS OTHERWISE SPECIFIED:		
MATERIAL: -		FINISH: -		
CUSTOMER DRAWING		SCALE: 4:1	SHEET: 2 OF 5	REV: A4

STE TE Connectivity
 RIGHT ANGLE HEADER
 W/ LP CONTACTS AND SHORT END MODULES
 MULTI-BEAM XLE
 SIZE: 114-13251
 WEIGHT: -
 CAGE CODE: A1100779
 DRAWING NO: C=6450843

LOC	DIST	REV	DATE	BY	APPD
ES	00				
REVISIONS			DESCRIPTION	DATE	DWN
			SEE SHEET 1		

PART NUMBER	ROWS	POWER						
		P1	P2	P3	P4	P5	P6	P7
6450843-6	D C B A	TT	TT	TT	TT	TT	TT	TT
7ACP								

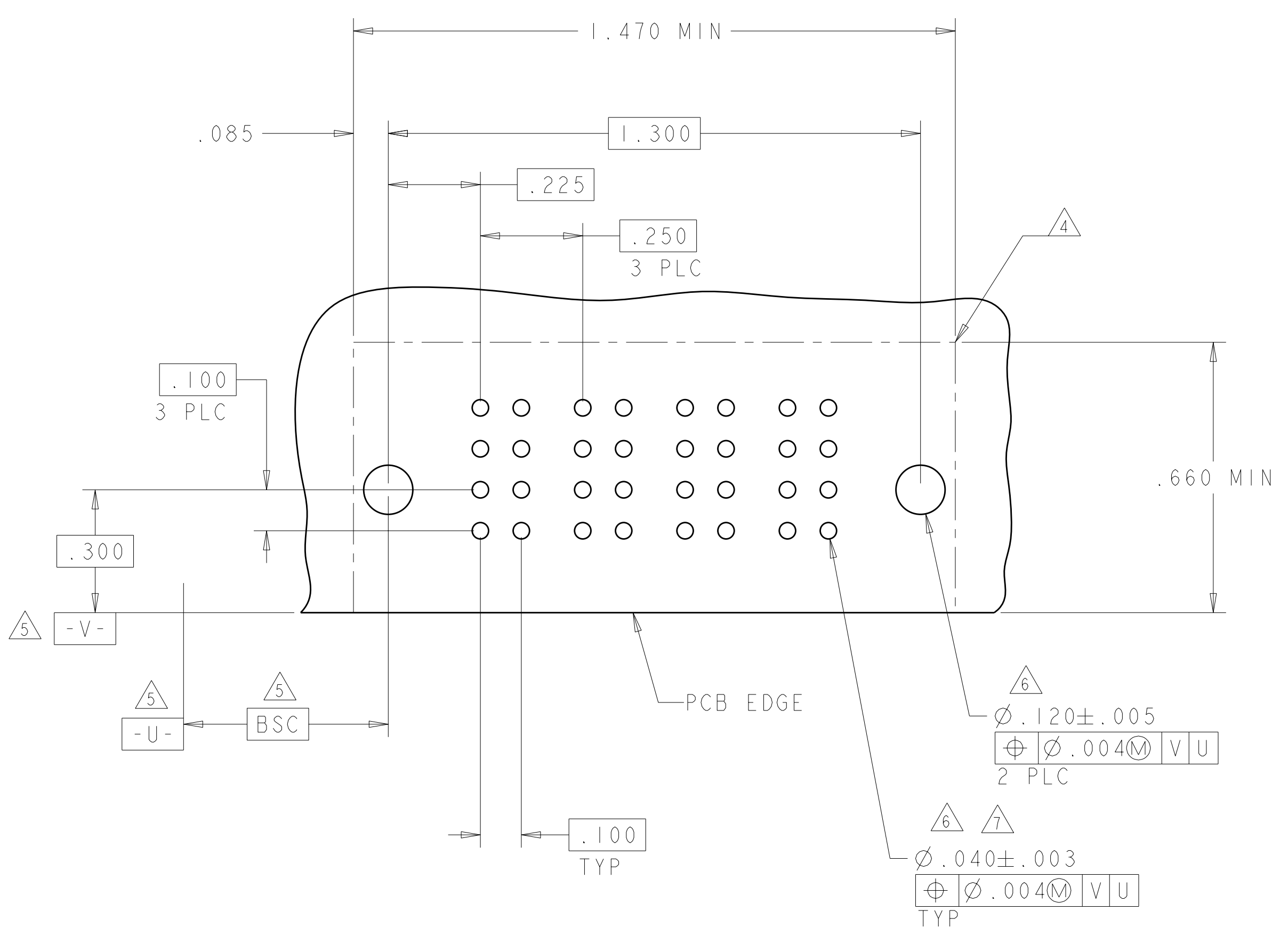
PART NUMBER	ROWS	POWER						
		P1	P2	P3	P4	P5	P6	P7
6450843-7	D C B A	TT	TT	TT		TT	TT	TT
7HDP								



THIS DRAWING IS A CONTROLLED DOCUMENT.		DRN: HESPER LIU 12JUN2008	 TE Connectivity
DIMENSIONS: INCHES		CHK: SUNY ZHAO 12JUN2008	
TOLERANCES UNLESS OTHERWISE SPECIFIED:		APVD: SUNY ZHAO	NAME: SUNY ZHAO
9 PLC ±. 3 PLC ±.01 5 PLC ±.005 4 PLC ±.0020 ANGLES #2°		PRODUCT SPEC: 108-2292	APPLICATION SPEC: 114-13251
MATERIAL: -		WEIGHT: -	RESTRICTED TO: -
FINISH: -		CUSTOMER DRAWING	SCALE: 4:1 SHEET 3 OF 5 REV A4

LOC	DIST	REVISIONS			
ES	00	REV	DATE	BY	APPD
-	-	SEE SHEET 1	-	-	-

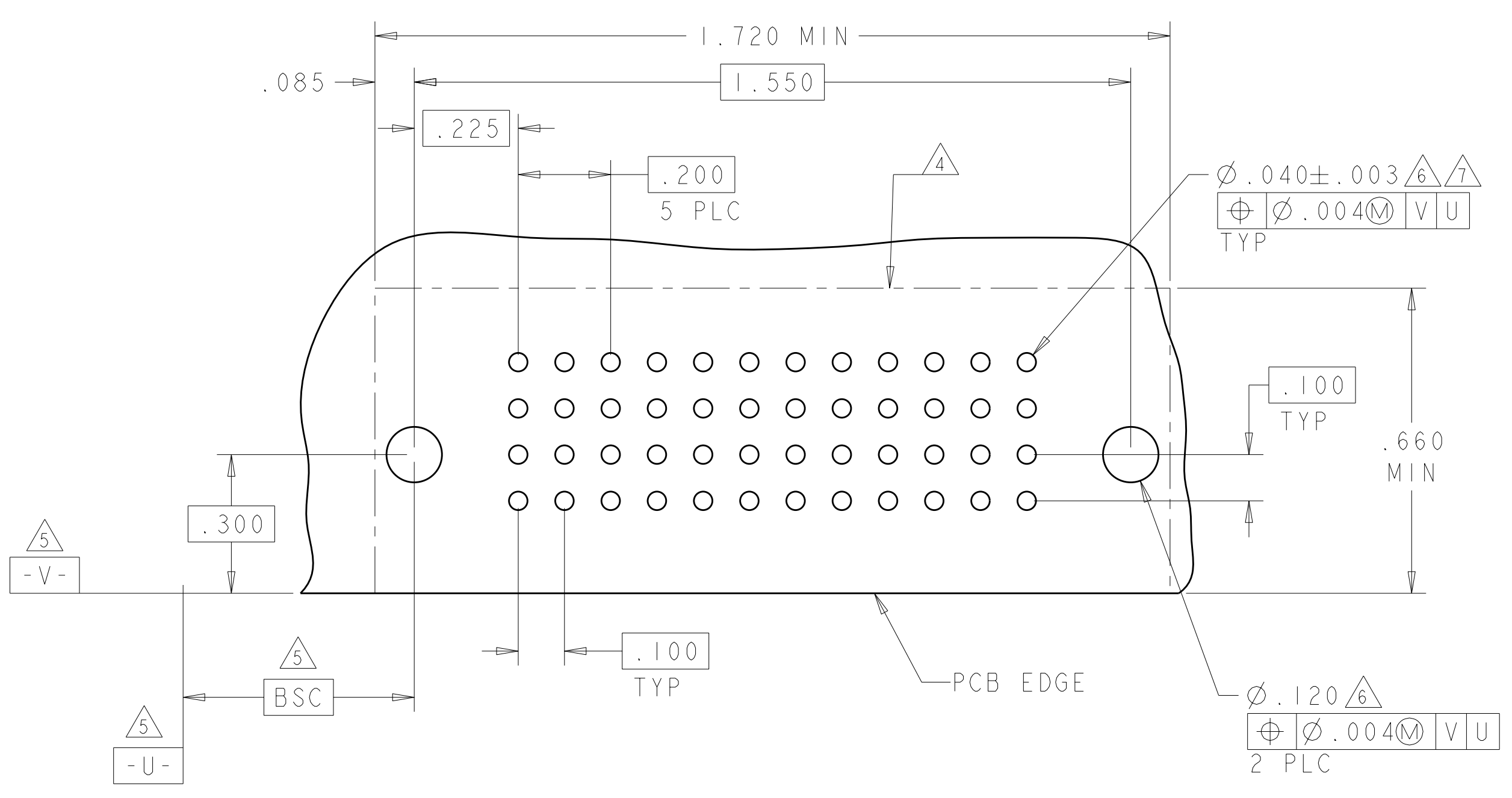
PART NUMBER	ROWS	POWER			
		P1	P2	P3	P4
6450843-3	D C B A	TT	TT	TT	TT
4P					



THIS DRAWING IS A CONTROLLED DOCUMENT.		DRN HESPER LIU 12JUN2008	TE Connectivity
DIMENSIONS: INCHES		CHK SUNY ZHAO 12JUN2008	
TOLERANCES UNLESS OTHERWISE SPECIFIED: 9 PLC ±. 2 PLC ±.01 3 PLC ±.01 5 PLC ±.005 4 PLC ±.0020 ANGLES #2°		APVD SUNY ZHAO NAME PRODUCT SPEC 108-2292 APPLICATION SPEC 114-13251 WEIGHT CUSTOMER DRAWING	NAME RIGHT ANGLE HEADER W/ LP CONTACTS AND SHORT END MODULES MULTI-BEAM XLE SIZE CAGE CODE DRAWING NO A100779C=6450843 RESTRICTED TO
MATERIAL	FINISH	SCALE 4:1	SHEET 4 OF 5 REV A4

LOC	DIST	REVISIONS			
ES	00	REV	DATE	BY	APPD
-	-	SEE SHEET 1	-	-	-

PART NUMBER	ROWS	POWER					
		P1	P2	P3	P4	P5	P6
6450843-8	D C B A	TT	TT	TT	TT	TT	TT
6HDP							



THIS DRAWING IS A CONTROLLED DOCUMENT.		DWN: HESPER LIU 12JUN2008 CHK: SUNY ZHAO 12JUN2008 APVD: SUNY ZHAO	STE TE Connectivity	
DIMENSIONS: INCHES	TOLERANCES UNLESS OTHERWISE SPECIFIED: 9 PLC ± 8 PLC ±.01 5 PLC ±.005 4 PLC ±.0020 ANGLES ±.2° FINISH -	NAME: RIGHT ANGLE HEADER W/ LP CONTACTS AND SHORT END MODULES MULTI-BEAM XLE	SIZE: CAGE CODE: DRAWING NO: A1100779 C=6450843	RESTRICTED TO:
MATERIAL: -		WEIGHT: -	CUSTOMER DRAWING	SCALE: 4:1 SHEET 5 OF 5 REV A4