

NOTES:

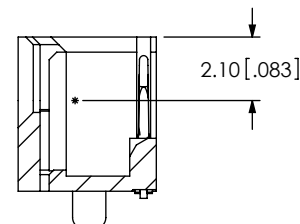
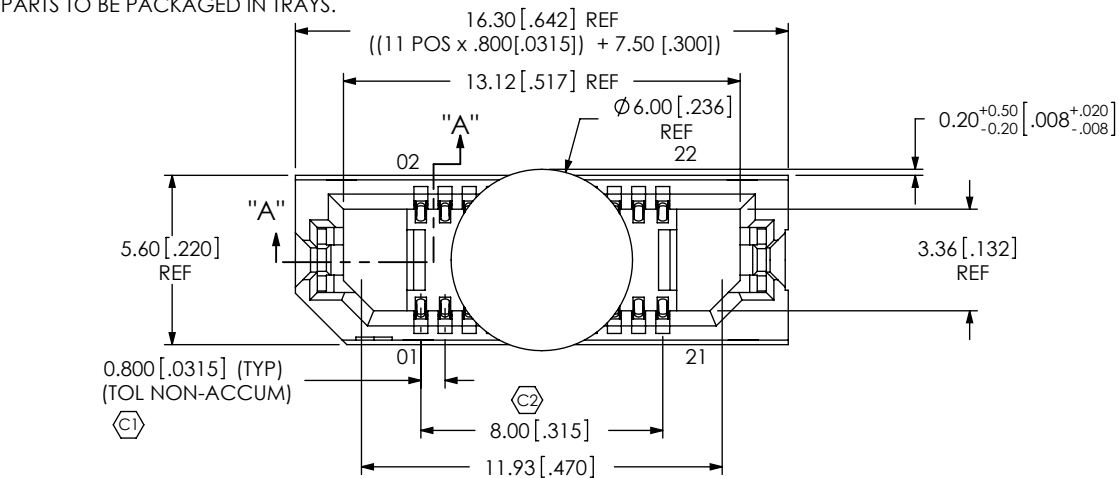
1. STANDARD PART SET UP AS ASP.
2. Ⓢ REPRESENTS A CRITICAL DIMENSION.
3. MAXIMUM BURR ALLOWANCE: .038 [.0015].
4. MINIMUM PUSHOUT FORCE: 2.22N [.5LB].
5. PARTS TO BE PACKAGED IN TRAYS.

REVISION

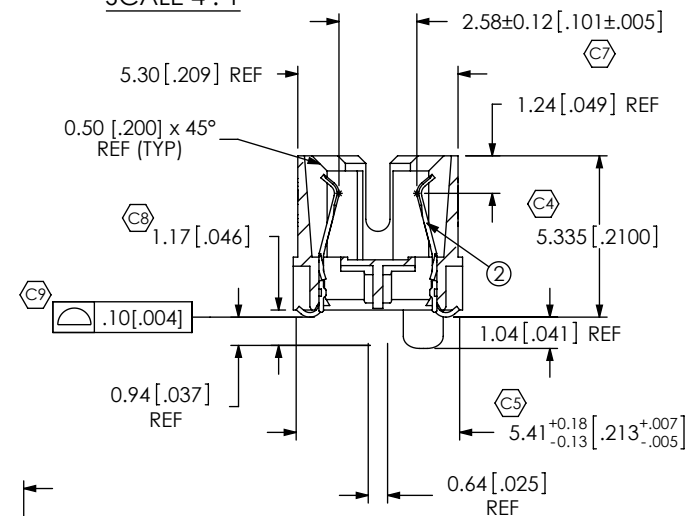
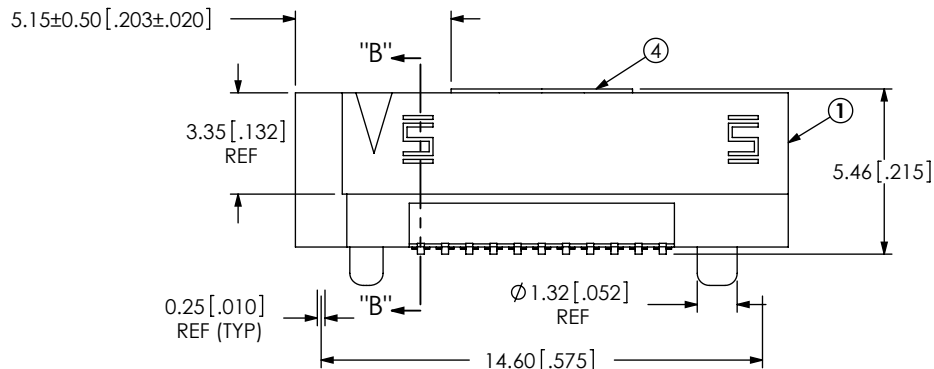
0	DF	D FRALEY
2/5/2008	ECN-85869	
ISSUE FOR REVIEW.		
A	SM	D Fletcher
5/1/2008	ECN-90087	
RELEASE FOR PRODUCTION.		
B	MM	D Fletcher
6/11/2008	ECN-92573	
BOM CHG ERF8-011-05.0-DV-L TO ERF8-011-05.0-DV-SL		
C	JB	D FRALEY
11/10/2008	ECN-100474	
BOM CHG ERF8-011-05.0-DV-SL TO ERF8-011-05.0-DV-L		
D	JB	Z Paden
3/2/2010	ECN-126251	
SHT 2, RECOMMENDED PCB LAYOUT: DEL 4.90(TYP), ADD 1.80(TYP), CHG Ø0.83±0.02 TO Ø0.83±0.05, CHG 5.61 TO 5.60, ADD NOTE "TO BE SOLDERED USING PASTE-IN-HOLE TECHNOLOGY"; RECOMMENDED STENCIL LAYOUT: CHG Ø1.58 (2 PLCS) TO Ø2.247 (2 PLCS).		

ACCEPTANCE OF DRAWING
ACCEPTED WITH DEVIATIONS LISTED

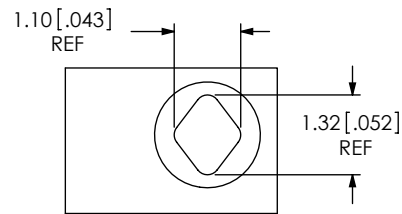
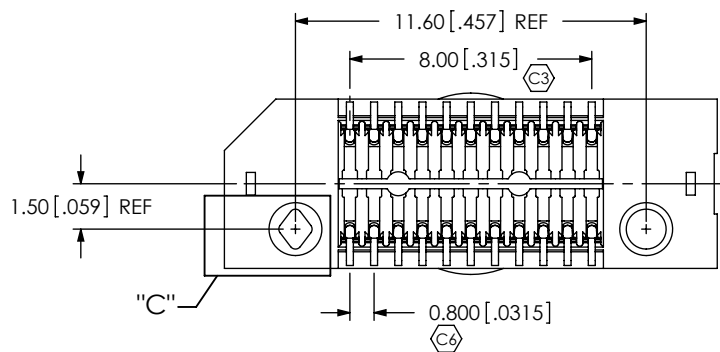
DATE: _____
COMPANY: _____
CUSTOMER SIGNATURE: _____
PRINTED NAME: _____
PHONE No: _____
FAX No: _____



SECTION "A"-"A"
SCALE 4 : 1



SECTION "B"-"B"
SCALE 4 : 1



DETAIL "C"
SCALE 8 : 1

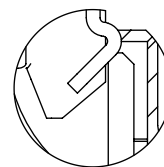
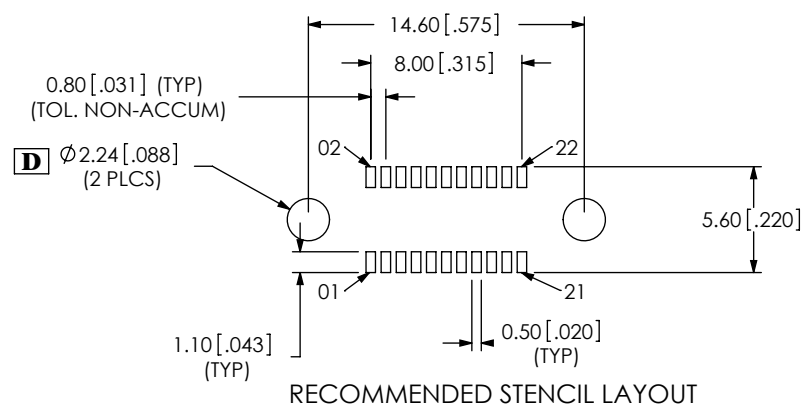
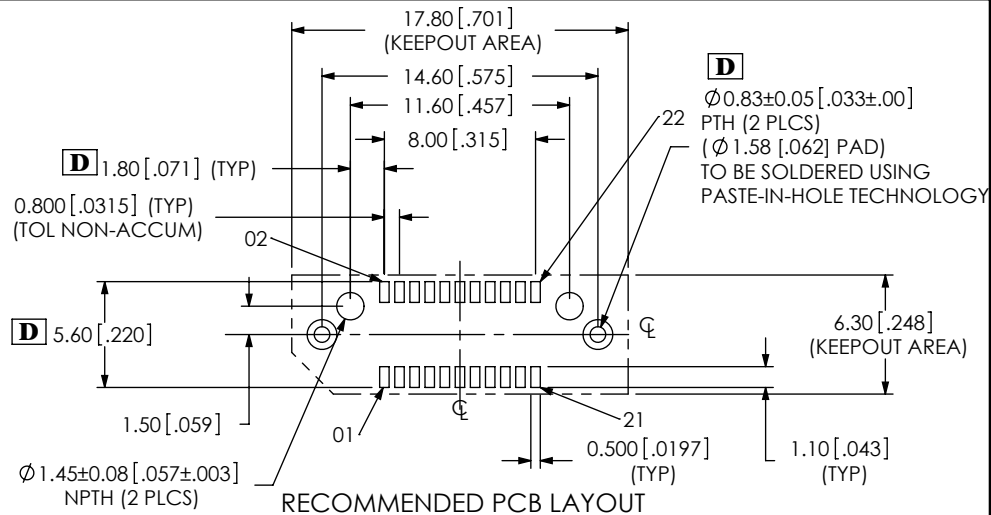
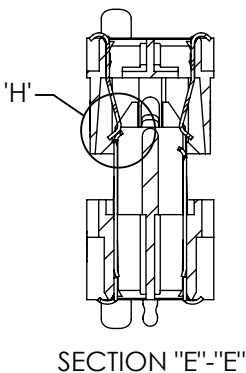
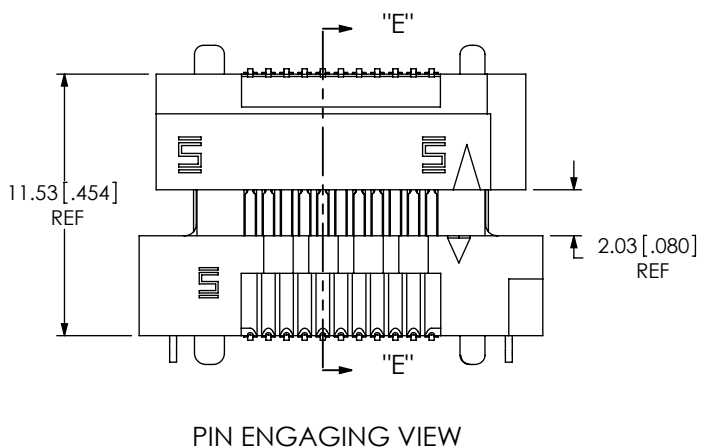
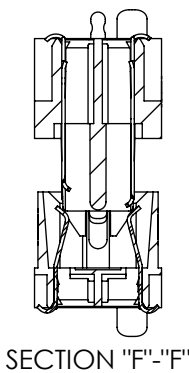
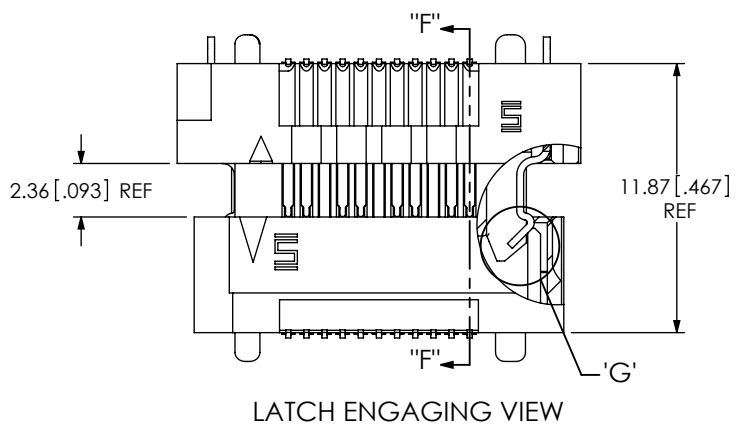
UNLESS OTHERWISE SPECIFIED, DIMENSIONS ARE IN MILLIMETERS.
TOLERANCES ARE:
DECIMALS ANGLES
.X: ±.3[.01] 2°
.XX: ±.13[.005]
.XXX: ±.051[.0020]

PROPRIETARY NOTE
THIS DOCUMENT CONTAINS INFORMATION CONFIDENTIAL AND PROPRIETARY TO SAMTEC, INC. AND SHALL NOT BE REPRODUCED OR TRANSFERRED TO OTHER DOCUMENTS OR DISCLOSED TO OTHERS OR USED FOR ANY PURPOSE OTHER THAN THAT WHICH IT WAS OBTAINED WITHOUT THE EXPRESSED WRITTEN CONSENT OF SAMTEC, INC.

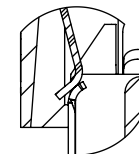


520 PARK EAST BLVD, NEW ALBANY, IN 47150
PHONE: 812-944-6733 FAX: 812-948-5047
e-Mail: info@SAMTEC.com code 53322

DO NOT SCALE DRAWING		SHEET SCALE: 1:0.3333		DESCRIPTION:
PLATING: CONTACT AREA: .000030 GOLD OVER .000050 NICKEL REMAINDER: .000200 REF TIN OVER .000050 NICKEL LATCHES: .000003 GOLD OVER .000050 NICKEL				MODIFIED ERF8 ASSEMBLY
DWG. NO.				ASP-137969-01
BY: David F		01/24/2008	SHEET 1 OF 2	



DETAIL 'G'
SCALE 6:1



DETAIL 'H'
SCALE 6:1

PROPRIETARY NOTE

THIS DOCUMENT CONTAINS INFORMATION CONFIDENTIAL AND PROPRIETARY TO SAMTEC, INC. AND SHALL NOT BE REPRODUCED OR TRANSFERRED TO OTHER DOCUMENTS OR DISCLOSED TO OTHERS OR USED FOR ANY PURPOSE OTHER THAN THAT WHICH IT WAS OBTAINED WITHOUT THE EXPRESSED WRITTEN CONSENT OF SAMTEC, INC.



520 PARK EAST BLVD, NEW ALBANY, IN 47150
PHONE: 812-944-6733 FAX: 812-948-5047
e-Mail: info@SAMTEC.com code 53322

SHEET SCALE: 3:1

DESCRIPTION: MODIFIED ERF8 ASSEMBLY

DWG. NO. ASP-137969-01

BY: David F 01/24/2008 SHEET 2 OF 2