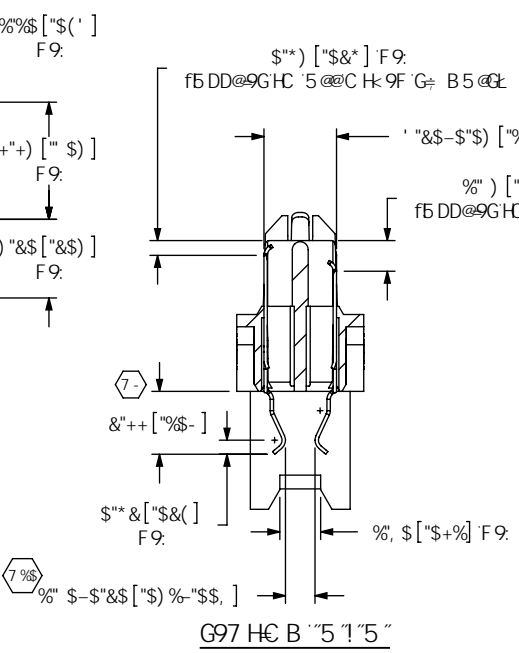
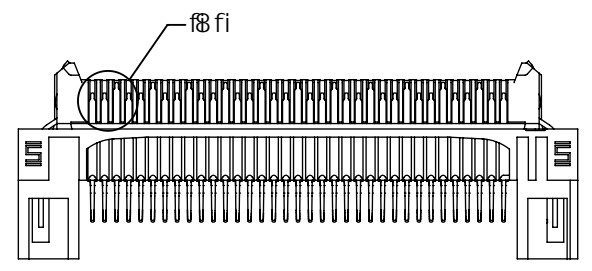
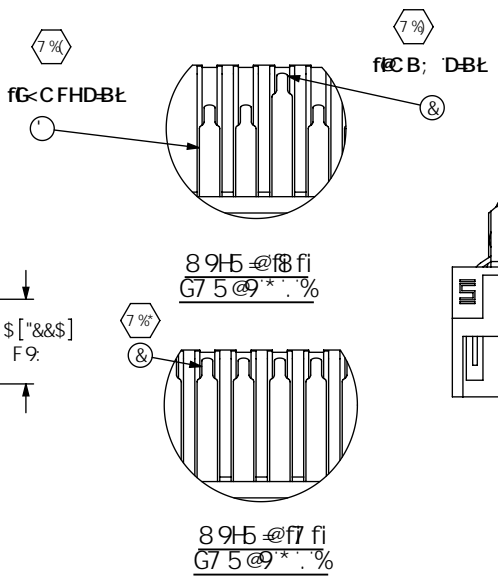
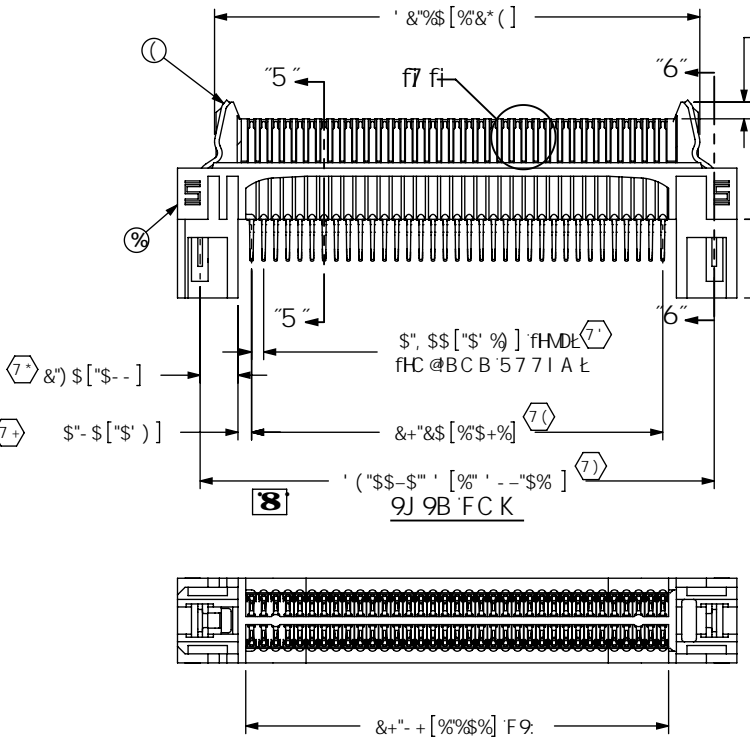
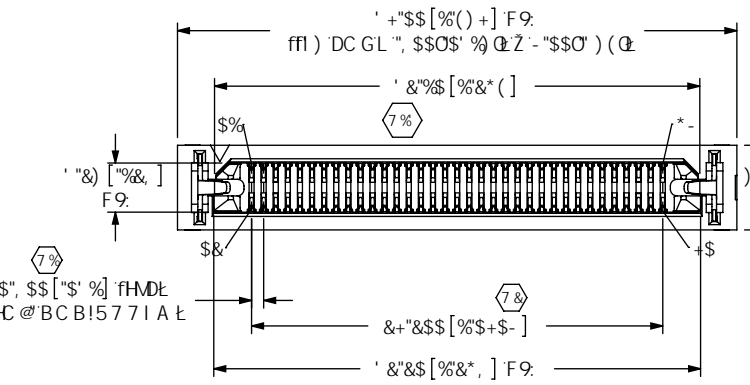


5GD!)\$(!\$%)  
**F9J GCB**  
 0 DU D FRALEY  
 11/8/2007 ECN-82901  
 ISSUE FOR REVIEW.  
 A RL D Fletcher  
 5/13/2008 ECN-90764  
 RELEASE FOR PRODUCTION; BOM: CHG ITEM 5 FROM ASP-TRAY TO TY-ASP126.  
 B JB D FRALEY  
 10/9/2008 ECN-98693  
 SHT 1, BOM: CHG WT-29-01-F TO WT-29-07-F; TOP VIEW: ADD DIM 32.20 REF. FRONT VIEW: DEL DIM 32.20 REF. ADD DIM 32.10, SHT 2, RECOMMENDED PCB LAYOUT: CHG DIM 3.302 TO 3.402.  
 C AC J FREEMAN  
 12/31/2008 ECN-103112  
 BOM: CHG QTY FOR EACH PIN FROM 14.00 TO 35.00  
 D JB D FRALEY  
 4/6/2009 ECN-108210  
 FRONT VIEW: CHG C5 DIM 34.00 TO 34.00 ± .33

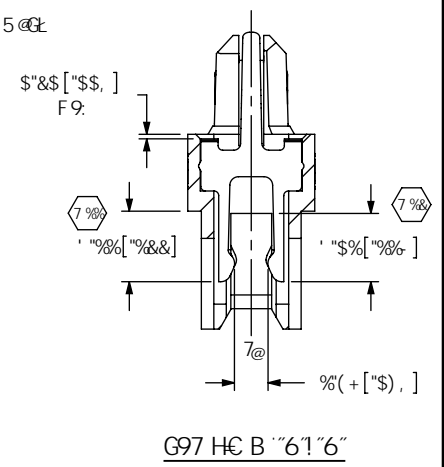
85H:  
 7CA D5BM  
 71 GCA 9F G: B5H F9  
 DF-BH98 B5A 9  
 D-C B9BC:  
 :5L Bc.

ITEM NO.	PART NUMBER	QUANTITY	MATERIAL
1	ASP-136452-02-B	1.00	VECTRA E130i, COLOR:BLACK
2	T-1M47-01-S	35.00	PHOS BRONZE, 521 HT
3	T-1M47-03-S	35.00	PHOS BRONZE, 521 HT
4	WT-29-07-F	2.00	BeCu #25, 1/2 HT
5	TY-ASP126	.01786	BLACK HIPS

BCH9G  
 %" #DA % / 7CBH57H7CB: ÷ 1F5HC B'CH5J 5-66@95GG5B85F8"  
 &" (7) F9DF 9G9BHG5 7F#H 5@8A 9BGC B"  
 " "A 5L A I A '6I FF 5@C K 5B79. "\$ , OS\$%) Q  
 ("A B A I A 'DI G-C I H: CF79. '&&B 'O) @CQ  
 )" D5FHGC 69D5775; 98 B H 5M'



C 88 FC K fBD'G-89Z<C HD@ ; 'G-89L



1 B @9G C H-9F K 69 'GD97 =98Z  
 8 A 9B GC BG5F9 B A @A 9HFG'  
 HC @9F5B79G 5F9.  
 897 A 5@G .....5B: @9G  
 "L. ±" OS%Q .....&"  
 "LL. ±% OS\$) O  
 "LLL. ±%) OS\$&Q

D F C D F-9H5 F M B C H P  
 H-68C 71A 98H7C B16 8G B: CFA 5HC B  
 7C B: 89B H5 @5B8 DFC DF 9H5 F M C  
 G5A H7 Z 47 "5B8 G:5@B C H69F 90FC 81 7 98  
 C F H5B G 9F 98 H C C H-9F B C 71 A 9B H G C F  
 8 47 @C 98 H C C H-9F G C F I 098 : C F 5 B M  
 DI FDC 09 C H-9F H 5 B H 5 H K <7 < H K 5 G  
 C 645 898 K H C I H H-99L DF 9098 K F H 98  
 7 C B 098 H C: G5A H7 Z 47 "



)&\$ D5F? 95GH6@ 8ZB9K 5@65BMZ-B (+)% \$  
 D<C B9. %&L-((1\*+)' .....5L. %&L- (, ) \$ (+  
 YIA UJ: bZ:4 G5A H7 'w:a ..... 'w:XY.))' &&

8C 'BCH G7 5@9 8F5K B: G:99H7 5@9. "%  
 D#5HB:  
 7C B167 H5F95. "SSSS' S: C @C CJ 9F "SSSS' B 7 79@  
 F9A 5 B 8 9F. "SSSS' F9: HB CJ 9F "SSSS' B 7 79@  
 @5H <9G "SSSS' : C @C CJ 9F "SSSS' B 7 79@

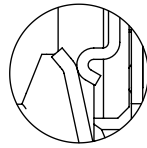
89G7 F@HC B.  
 A C 8 ÷ 98 '9FA , '5 GG9A 6@M  
 8K: "BC"  
 5GD!)\$(!\$%)  
 6M 8 1 B 89FK C C 8 %&#/#\$+ G<99H% C : &

5GD!)\$(!\$%

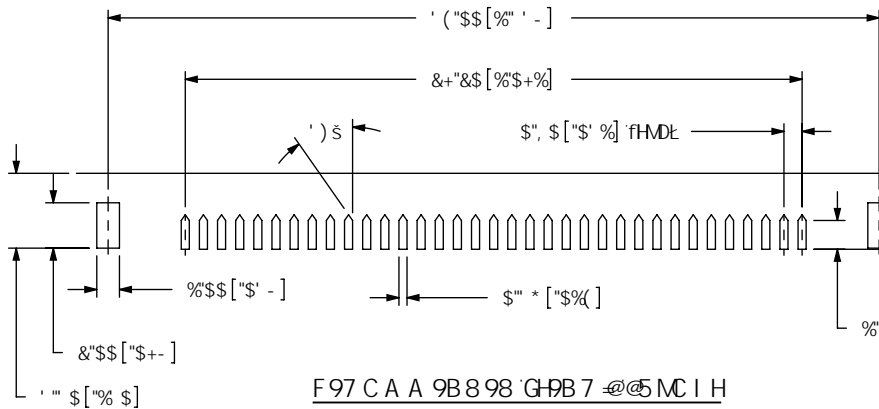
F9J €€B`8



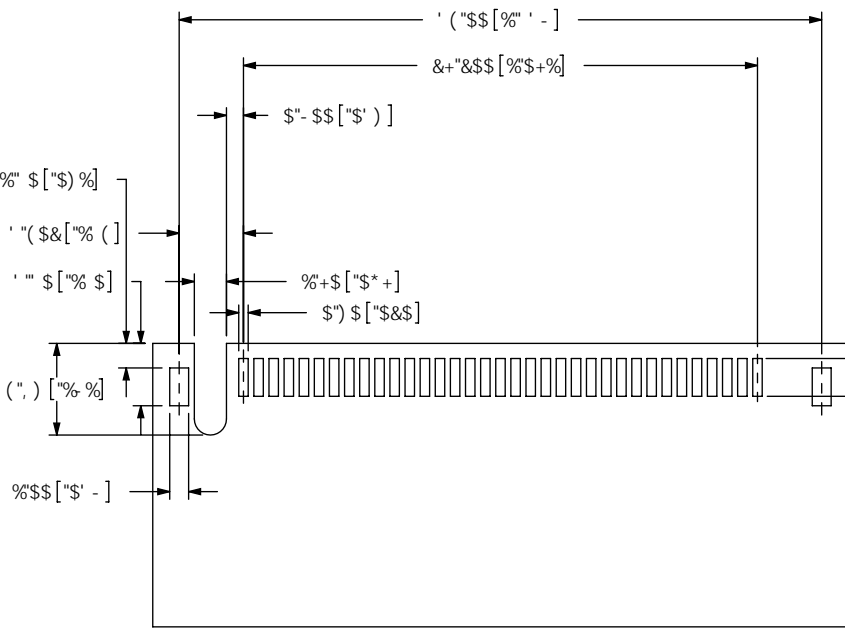
89H5 @fj fi  
G75 @9`\*`.%



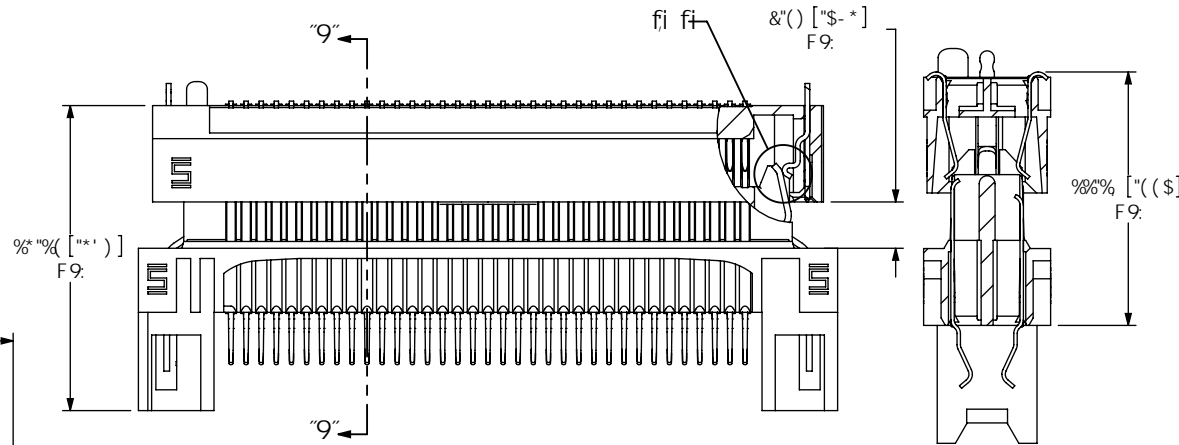
89H5 @fj fi  
G75 @9`\*`.%



F97 CA A 9B898 `GH9B7 @5MC I H

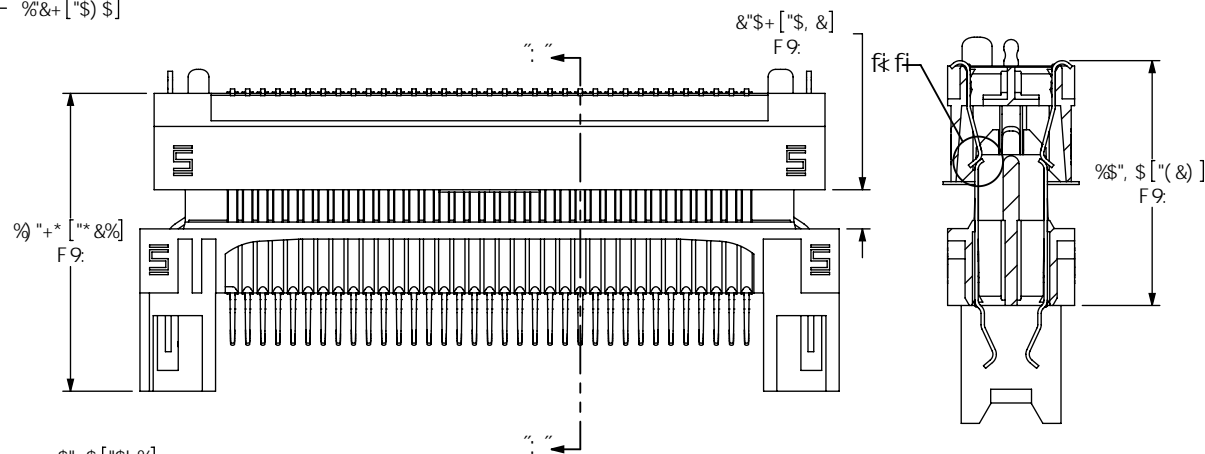


F97 CA A 9B898 `D7 6' @5MC I H



@5H7 <'9B; 5; B; `J`9K

G97 H€ B ``91`9"



D-B`9B; 5; B; `J`9K

G97 H€ B ``1:"`"

**DFC DF-9H5 FMB C H9**

H: G8C 71A 9B H7 C B H6 B G 8: C FA 5HC B  
7 C B: 8 9B H6 #5 B B DFC DF 9F6 FMC  
GSA H97 Z B 7`5 B B G: 5 @B C H 6 9 F9 F C B 1 7 9 8  
C F H F 5 B G 9 F F 9 B H C C H: 9 F B C 7 1 A 9 B H C F  
B 6 7 #C 9 B H C C H: 9 F G C F 1 G 9 B: C F 5 B M  
D F D C G 9 C H: 9 F H: 5 B H: 5 H K < 7 < H K 5 G  
C 8 H 6 B 9 8 K # C 1 H H: 9 9 L D F 9 G 9 8 K F # H B  
7 C B G 9 B H C: GSA H97 Z B 7`

G< 99HG7 5 @9.` %



)&\$ D5F? 95 GH6 @ 8ZB9K` 5 @5 B M B (+) \$  
D< C B 9; %&- ((1\* \*` ..... 5 L.; %&- (, 1) \$(+  
YIA UJ): `b z: 4 GSA H97 `Wc: a .....` Wc X Y.)` &

89G7 F #HC B.

A C 8 ÷ 98 `9FA, `5 GG9A 6 @M

8K: ``BC`

5GD!)\$(!\$%

6M8 1 B8 9FK C C 8 %/#, #+\$ G< 99H & C: &