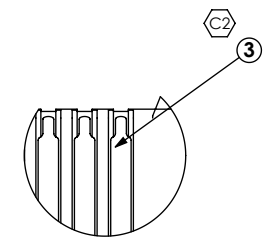
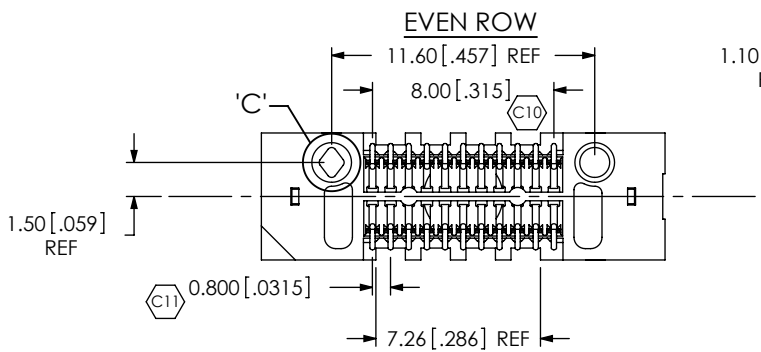
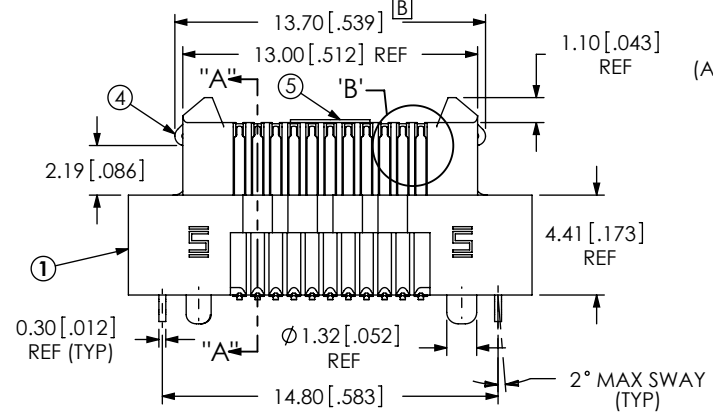
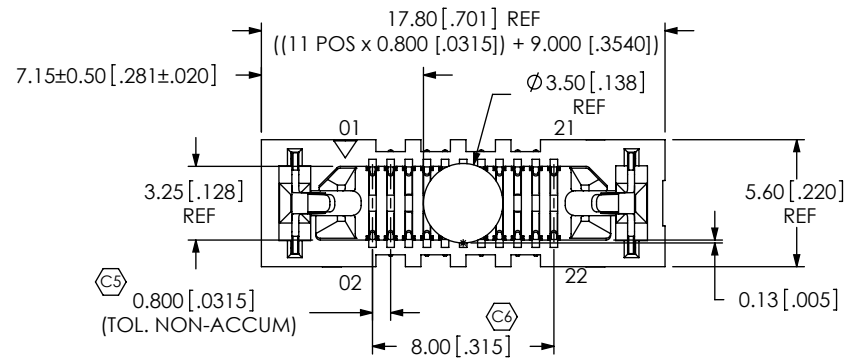


NOTES:

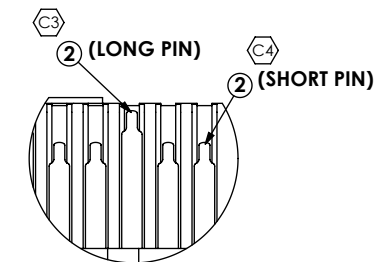
1. CONTACT CONFIGURATION NOT AVAILABLE AS STANDARD.
2. Ⓢ REPRESENTS A CRITICAL DIMENSION.
3. MAXIMUM BURR ALLOWANCE: .038 [.0015].
4. MINIMUM PUSHOUT FORCE: 2.22N [.5 LB].
5. PARTS TO BE PACKAGED IN TRAYS.

REVISION

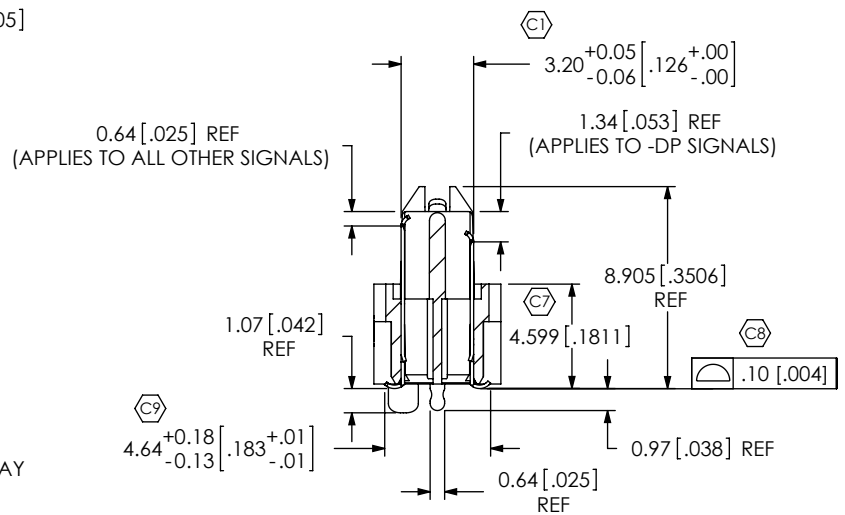
0	DF	S HILLERICH
4/3/2007 ECN-74132 ISSUE FOR REVIEW.		
0	DF	D FRALEY
3/24/2008 ECN-88099 ISSUE FOR REVIEW.		
A	TP	D Fletcher
4/29/2008 ECN-89954 RELEASE FOR PRODUCTION; CHG TRAY TY-ERM8042-11-5 TO TY-ERM8057-11-5-L		
B	MM	E Fox
6/1/2009 ECN-111187 FRONT VIEW: CHG DIM "14.16" TO "13.70".		



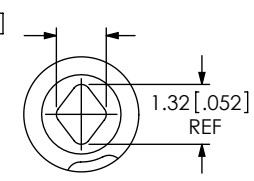
DETAIL 'B'  
SCALE 6:1  
SE SIDE



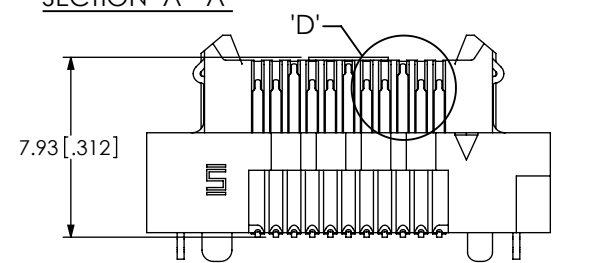
DETAIL 'D'  
SCALE 6:1  
DP SIDE



SECTION "A"-A



DETAIL 'C'  
SCALE 6:1



ODD ROW (DP SIDE, HOT PLUG SIDE)  
(PIN ORIENTATION TO BE EXACTLY AS SHOWN)

ACCEPTANCE OF DRAWING  
ACCEPTED WITH DEVIATIONS LISTED

DATE: \_\_\_\_\_  
COMPANY: \_\_\_\_\_  
CUSTOMER SIGNATURE  
PRINTED NAME  
PHONE NO: \_\_\_\_\_  
FAX NO: \_\_\_\_\_

ITEM NO.	PART NUMBER	QUANTITY	MATERIAL
1	ERM8-011-05.0-DV-L	1.00000	VECTRA E130i, COLOR: BLACK
2	T-1M48-05.0-S	11.00000	PHOS BRONZE, 521 HARD TEMPER
3	T-1M37-05.0	11.00000	PHOS BRONZE, 521 HARD TEMPER
4	WT-29-03-F	2.00000	BeCu #25, 1/2 HT
5	K-500-300	1.00000	POLYIMIDE FILM (KAPTON)
6	TY-ERM8057-11-5-L	1.00000	BLACK HIPS

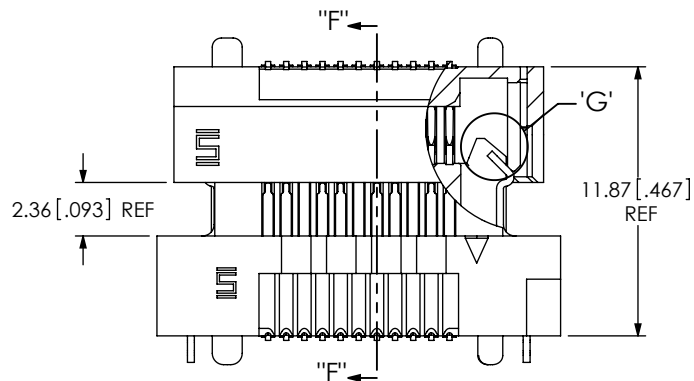
UNLESS OTHERWISE SPECIFIED, DIMENSIONS ARE IN INCHES. TOLERANCES ARE:  
DECIMALS ANGLES  
.X: ±.3[.01] 2°  
.XX: ±.13[.005]  
.XXX: ±.051[.0020]

PROPRIETARY NOTE  
THIS DOCUMENT CONTAINS INFORMATION CONFIDENTIAL AND PROPRIETARY TO SAMTEC, INC. AND SHALL NOT BE REPRODUCED OR TRANSFERRED TO OTHER DOCUMENTS OR DISCLOSED TO OTHERS OR USED FOR ANY PURPOSE OTHER THAN THAT WHICH IT WAS OBTAINED WITHOUT THE EXPRESSED WRITTEN CONSENT OF SAMTEC, INC.

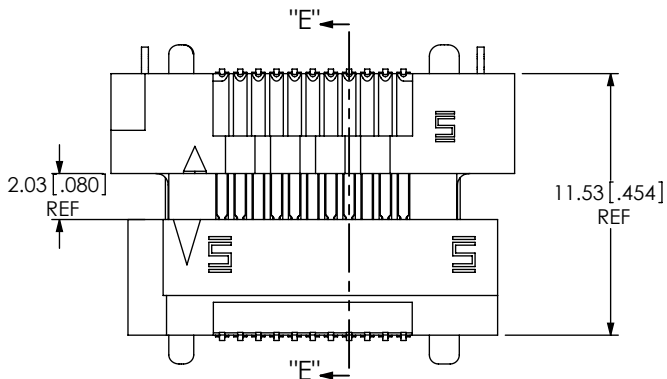
520 PARK EAST BLVD, NEW ALBANY, IN 47150  
PHONE: 812-944-6733 FAX: 812-948-5047  
e-Mail: info@SAMTEC.com code: 55322

DO NOT SCALE DRAWING SHEET SCALE: 1:0.333333  
PLATING:  
CONTACT AREA: .000030 GOLD OVER .000050 NICKEL  
REMAINDER: .000200 REF TIN OVER .000050 NICKEL  
LATCHES: .000003 GOLD OVER .000050 NICKEL

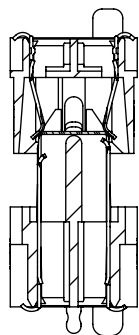
DESCRIPTION: MODIFIED ERM8 ASSEMBLY  
DWG. NO. ASP-137968-01  
BY: David F 01/24/2008 SHEET 1 OF 2



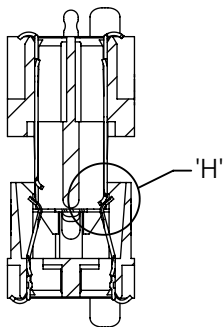
LATCH ENGAGING VIEW



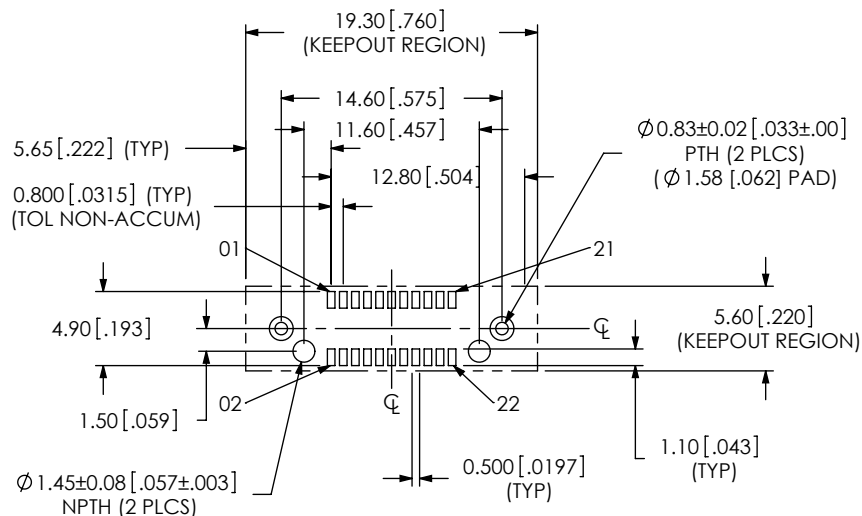
PIN ENGAGING VIEW



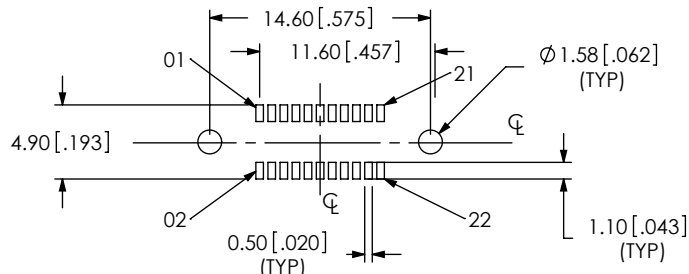
SECTION "F"-"F"



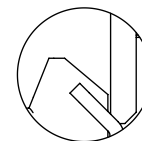
SECTION "E"-"E"



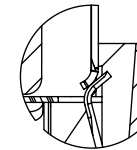
RECOMMENDED PCB LAYOUT



RECOMMENDED STENCIL LAYOUT



DETAIL 'G'  
SCALE 6 : 1



DETAIL 'H'  
SCALE 6 : 1

PROPRIETARY NOTE

THIS DOCUMENT CONTAINS INFORMATION CONFIDENTIAL AND PROPRIETARY TO SAMTEC, INC. AND SHALL NOT BE REPRODUCED OR TRANSFERRED TO OTHER DOCUMENTS OR DISCLOSED TO OTHERS OR USED FOR ANY PURPOSE OTHER THAN THAT WHICH IT WAS OBTAINED WITHOUT THE EXPRESSED WRITTEN CONSENT OF SAMTEC, INC.



SHEET SCALE: 3:1

DESCRIPTION: MODIFIED ERM8 ASSEMBLY

DWG. NO. ASP-137968-01