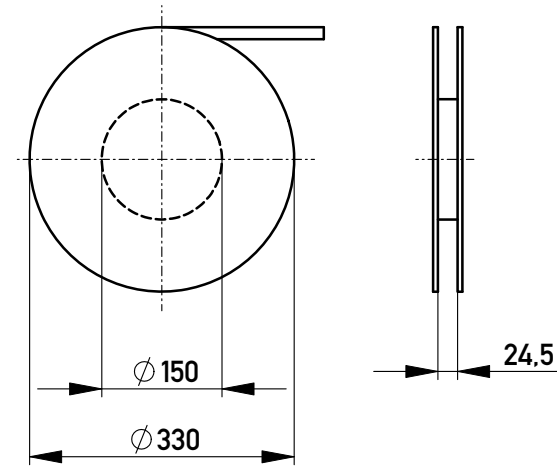


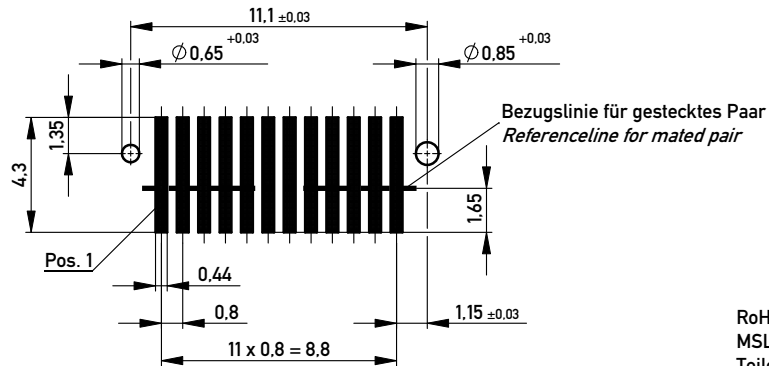
Koplanarität der Anschlüsse ≤ 0.1 mm
Coplanarity Area of Termination ≤ 0.1 mm

Verpackt in Gurtverpackung - *Tape on Reel Packaging*
 Verpackungseinheit: 1300 Stück - *Packaging unit: 1300 pcs*

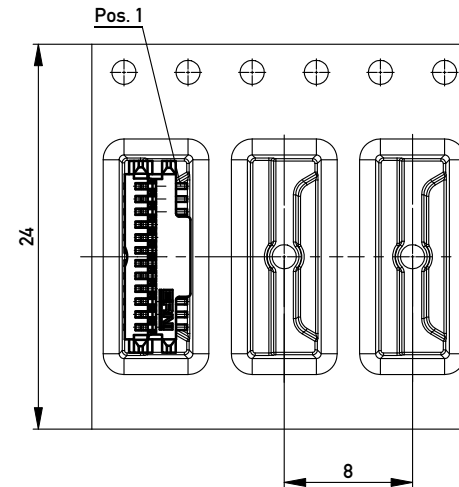


Abspulrichtung - *Reel off Direction* →

Leiterplatten-Layout Vorschlag
PCB-Layout Proposal



RoHS: 6/6
 MSL: 3
 Teile müssen in MSL Folie
 verpackt werden!
Parts wrapped in MSL bag!



einreihig, mit Zapfen
1 row, with pegs

Information:		Tolerances	Scale 5:1
All rights reserved. Only for Information. To ensure that this is the latest version of this drawing, please contact one of the ERNI companies before using.		All Dimensions in mm	Designation
Subject to modification without prior notice. Drawing will not be updated.		www.ERNI.com	MicroStac Steckverb., 12 polig MicroStac Con., 12 contacts
g	10.08.2010	114712	
Index	Date	1	
Class		MICROS	
		A3	

Copyright by ERNI GmbH.
 Proprietary notice pursuant to ISO 16016 to be observed.