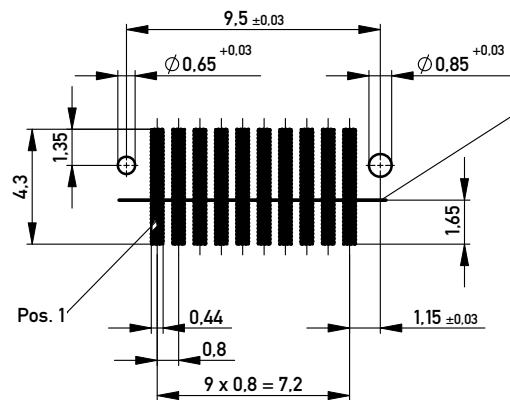


Koplanatität der Anschlüsse <math>< 0.1 \text{ mm}</math>  
 Coplanarity area of termination <math>< 0.1 \text{ mm}</math>

Leiterplatten-Layout-Vorschlag  
 PCB-Layout-Proposal

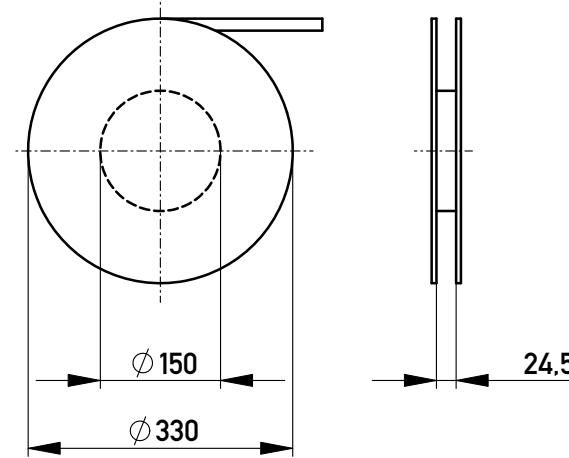


Bezugslinie für gestecktes Paar  
 Referenceline for mated pair

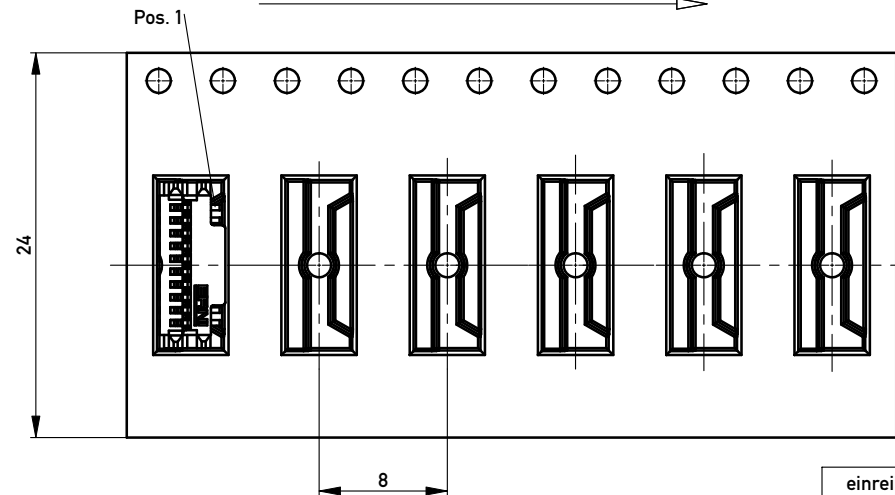
RoHS: 6/6  
 MSL: 3

Teile müssen in MSL Folie verschweißt werden!  
 Parts wrapped in MSL bag!

Verpackt in Gurtverpackung - Tape on Reel Packaging  
 Verpackungseinheit: 1300 Stück - Packaging unit: 1300 pcs



Abspulrichtung - Reel off Direction



einreihig, mit Zapfen  
 1 row, with legs

Information:		Tolerances	Scale 5:1
All rights reserved. Only for Information. To ensure that this is the latest version of this drawing, please contact one of the ERNI companies before using.		All Dimensions in mm	Designation
Subject to modification without prior notice. Drawing will not be updated.		www.ERNI.com	<b>MicroStac Steckverb. 10-polig</b> <b>Microstac conn. , 10 contacts</b>
c	21.12.2010	354863	
Index	Date	Class MICROS	
		I A3	

Copyright by ERNI GmbH  
 Proprietary notice pursuant to ISO 16016 to be observed.