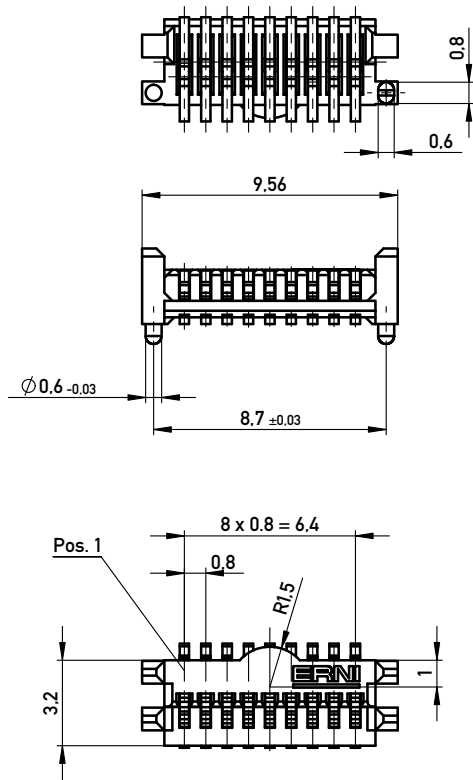
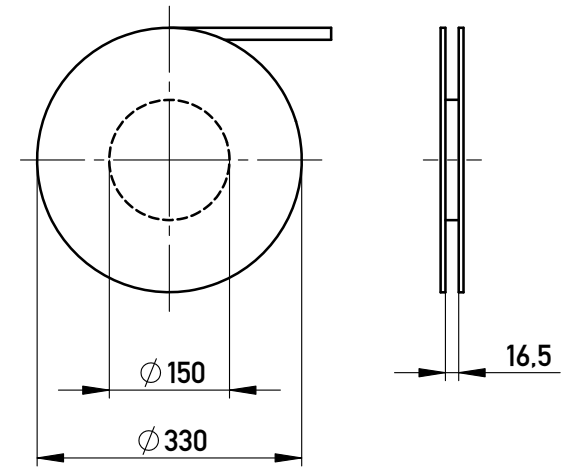


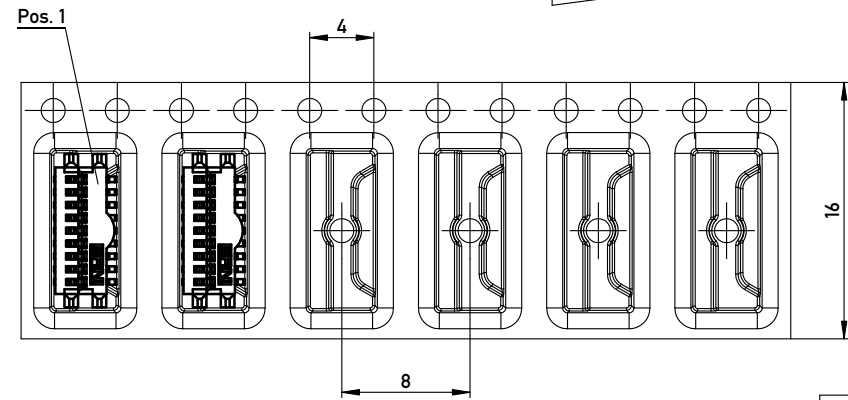
Verpackt in Gurtverpackung - *Tape on Reel Packaging*
 Verpackungseinheit: 1750 Stück - *Packaging unit: 1750 pcs*



Koplanarität der Anschlüsse $\leq 0.1\text{mm}$
Coplanarity area of termination $\leq 0.1\text{mm}$

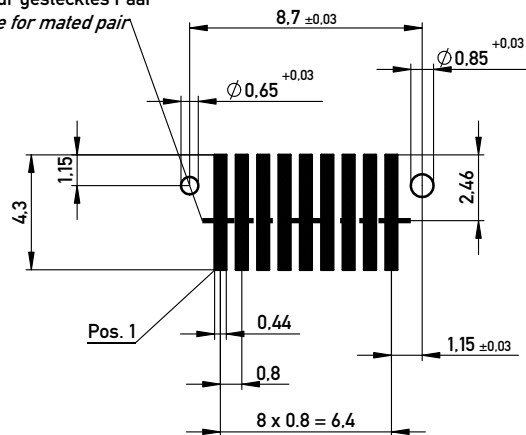


Abspulrichtung - *Reel off Direction*



Leiterplatten-Layout Vorschlag
PCB-Layout Proposal

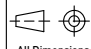

Bezugslinie für gestecktes Paar
Referenceline for mated pair



RoHS: 6/6
 MSL: 3

Teile müssen in MSL Folie verschweißt werden!
Parts wrapped in MSL bag!

einreihig, mit Zapfen
1 row, with pegs

Information:		Tolerances		Scale	5:1
All rights reserved. Only for Information. To ensure that this is the latest version of this drawing, please contact one of the ERNI companies before using.		All Dimensions in mm		Designation	
Subject to modification without prior notice. Drawing will not be updated.				MicroStac Steckv., 9 polig 3mm MicroStac conn., 9 cont. 3 mm	
f	05.05.2011	www.ERNI.com		224920	
Index	Date			I A3	
				Class	
				MICROS	

Copyright by ERNI GmbH
 Proprietary notice pursuant to ISO 16016 to be observed.