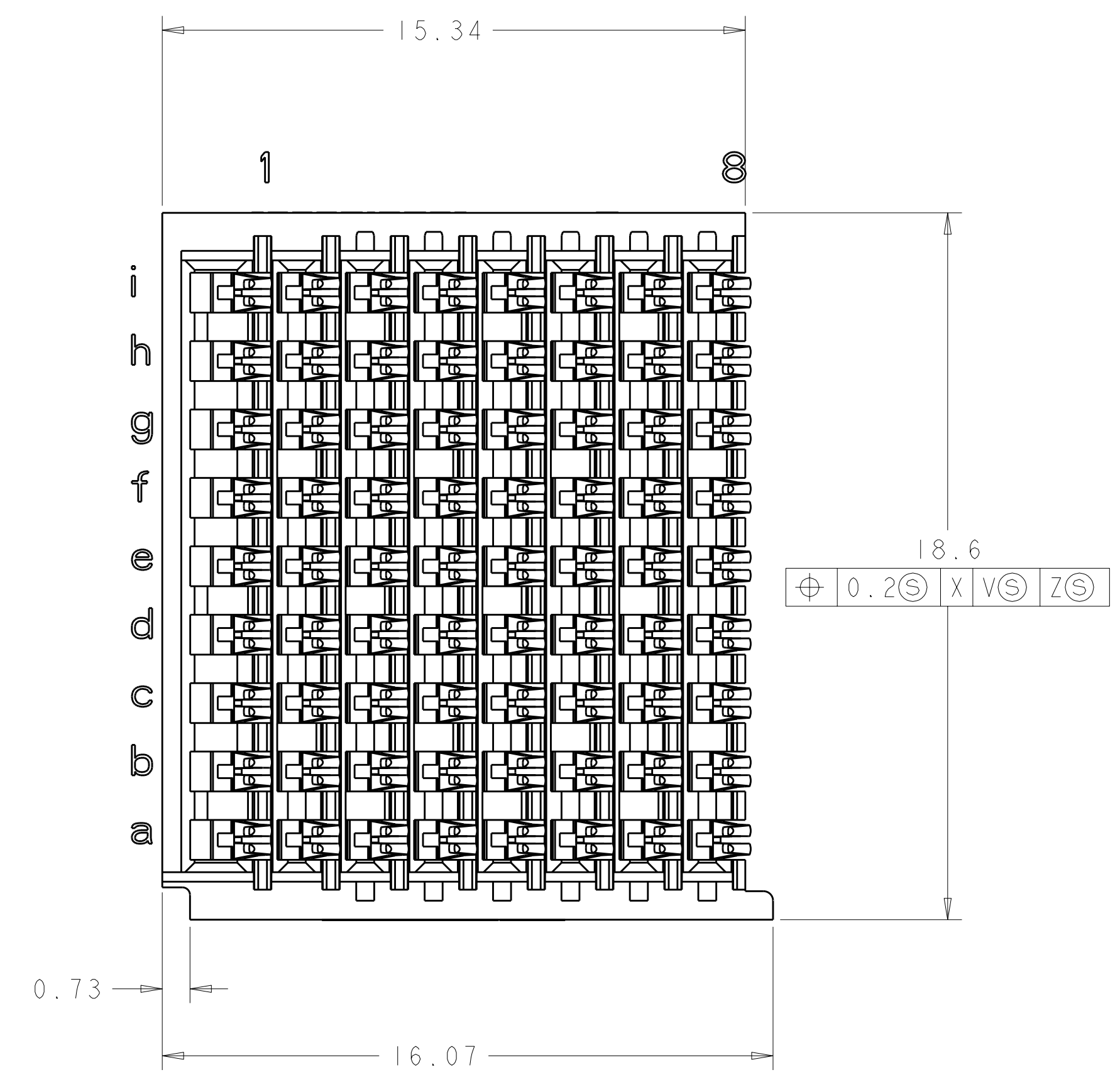
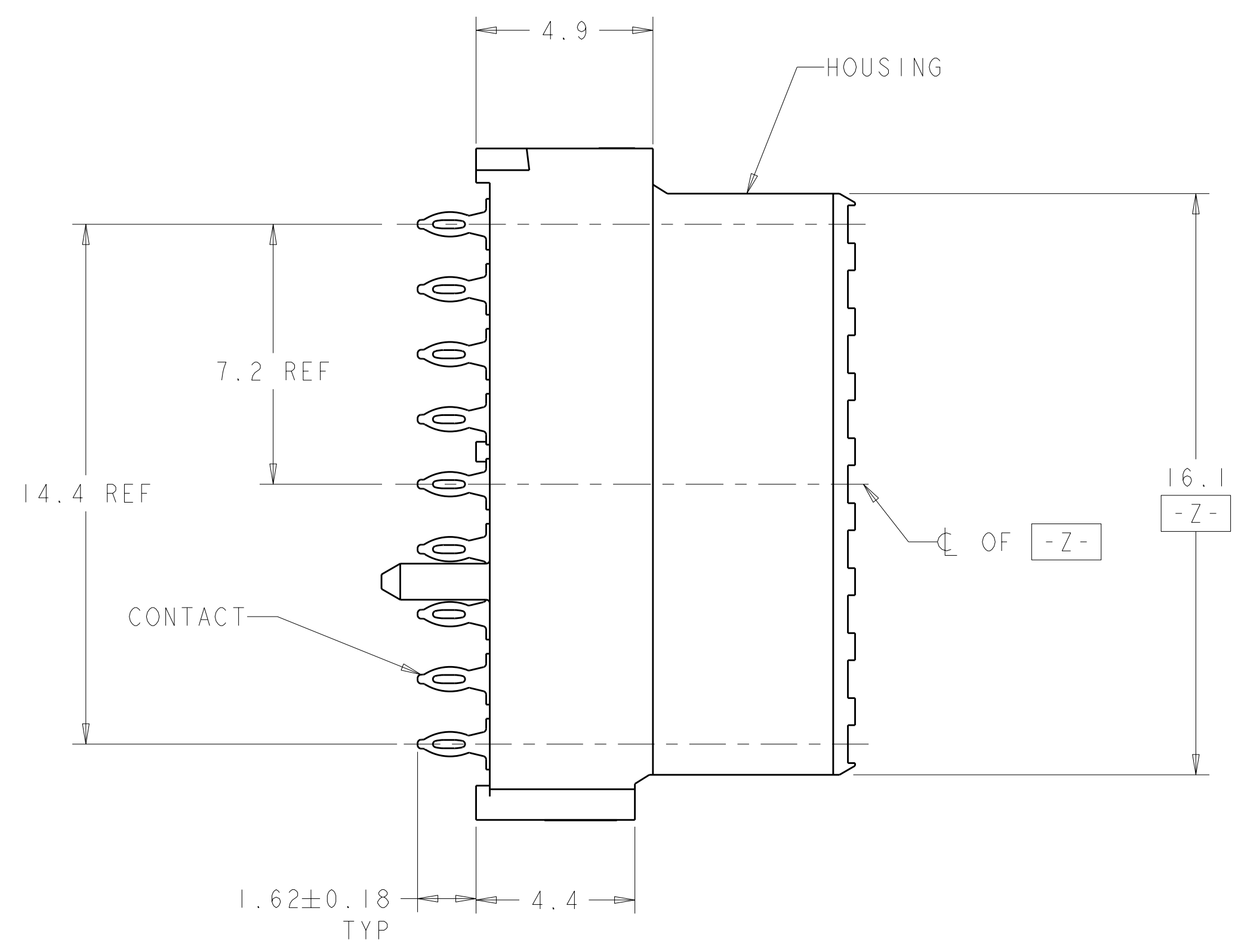
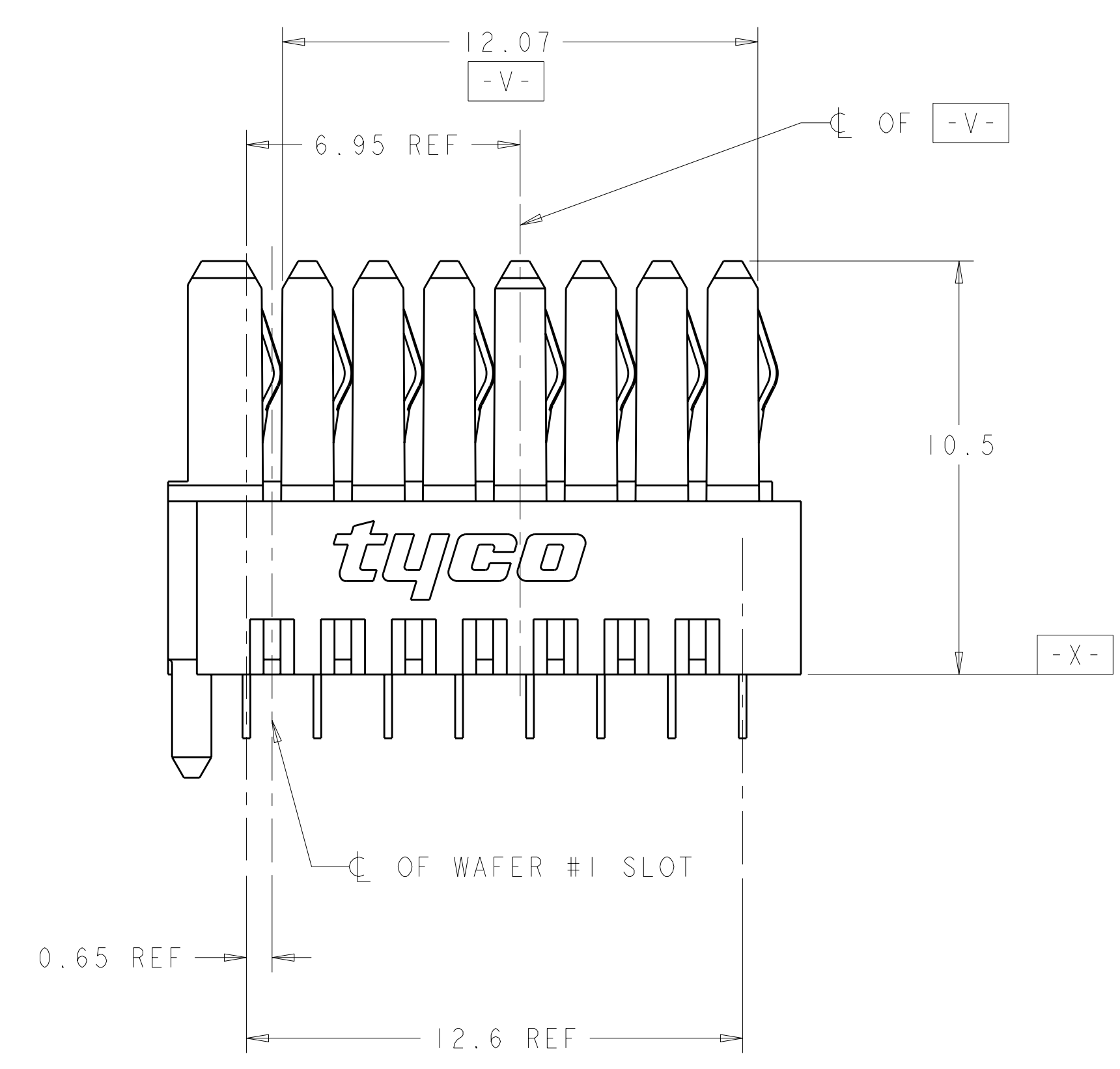
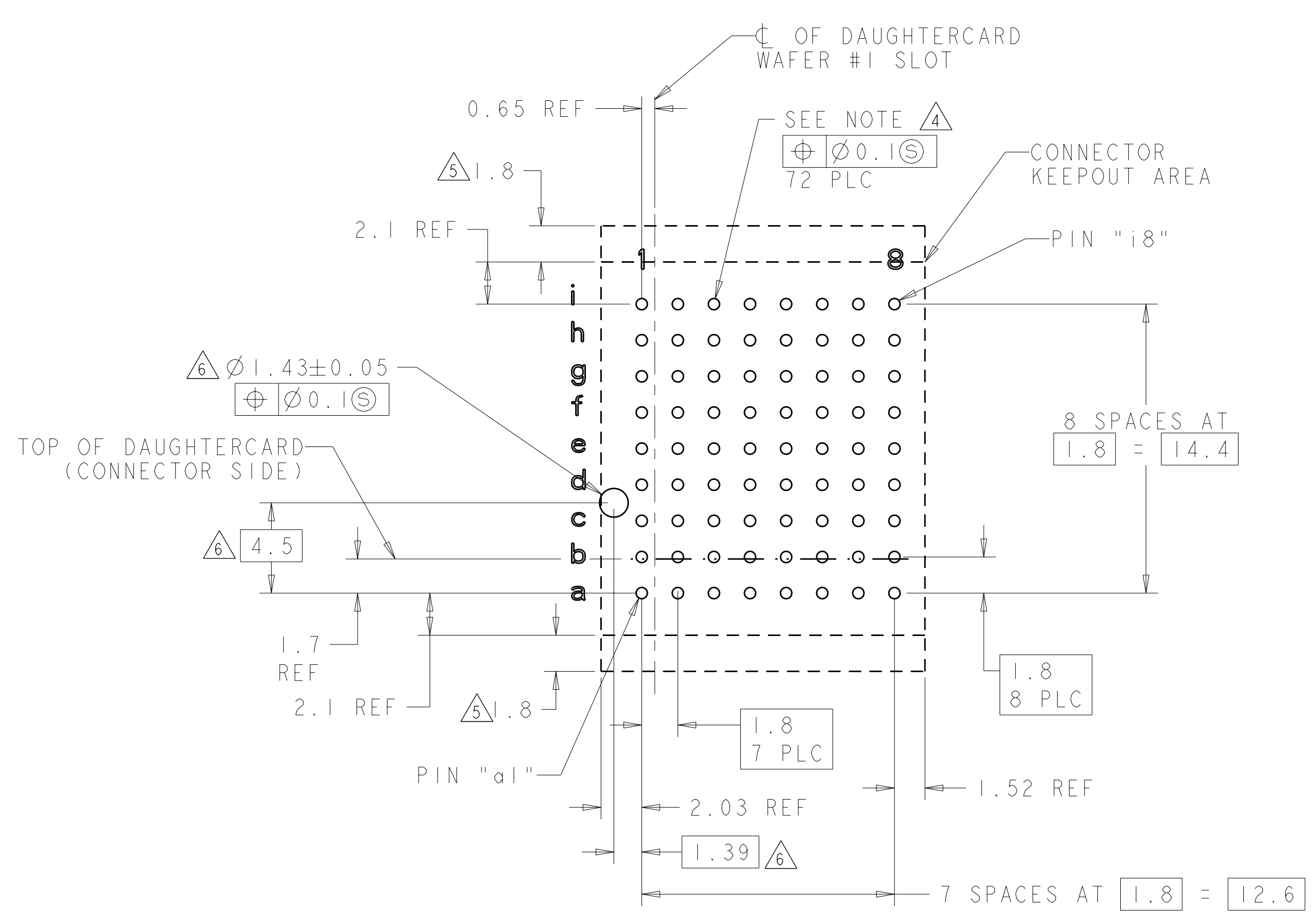


LOC	DIST	REV	DATE	DWN	APVD
GP	00	C	08SEP2011	HMR	AS
		REVISIONS			
		DESCRIPTION	DATE	DWN	APVD
		REVISED PER ECO-11-003271	08SEP2011	HMR	AS



- 1 HOUSING: LCP, UL94V0, COLOR: BLACK. CONTACT: PHOSPHOR BRONZE.
- 2 FINISH: 1.27µm GOLD IN CONTACT AREA 1.27µm MIN. TIN-LEAD ON PCB TAIL OVER 3.81µm MIN. NICKEL OVER ALL.
- 3 FINISH: 1.27µm GOLD IN CONTACT AREA 1.27µm MIN. TIN ON PCB TAIL OVER 3.81µm MIN. NICKEL OVER ALL.
- 4 MANUFACTURING TOLERANCE FOR:
 Ø0.56±0.05 FINISHED HOLE WITH Sn PB PLATING:
 DRILLED HOLE = Ø0.65±0.02
 COPPER PLATING = 0.025-0.050
 Sn PB PLATING = 0.0038-0.0124
 OR
 Ø0.575±0.050 FINISHED HOLE WITHOUT Sn PB PLATING:
 DRILLED HOLE = Ø0.65±0.02
 COPPER PLATING = 0.025-0.050
- 5 ADDITIONAL CONNECTOR-SIDE KEEPOUT AREA REQUIRED IF CONNECTOR-SIDE EXTRACTION TOOL IS TO BE USED.



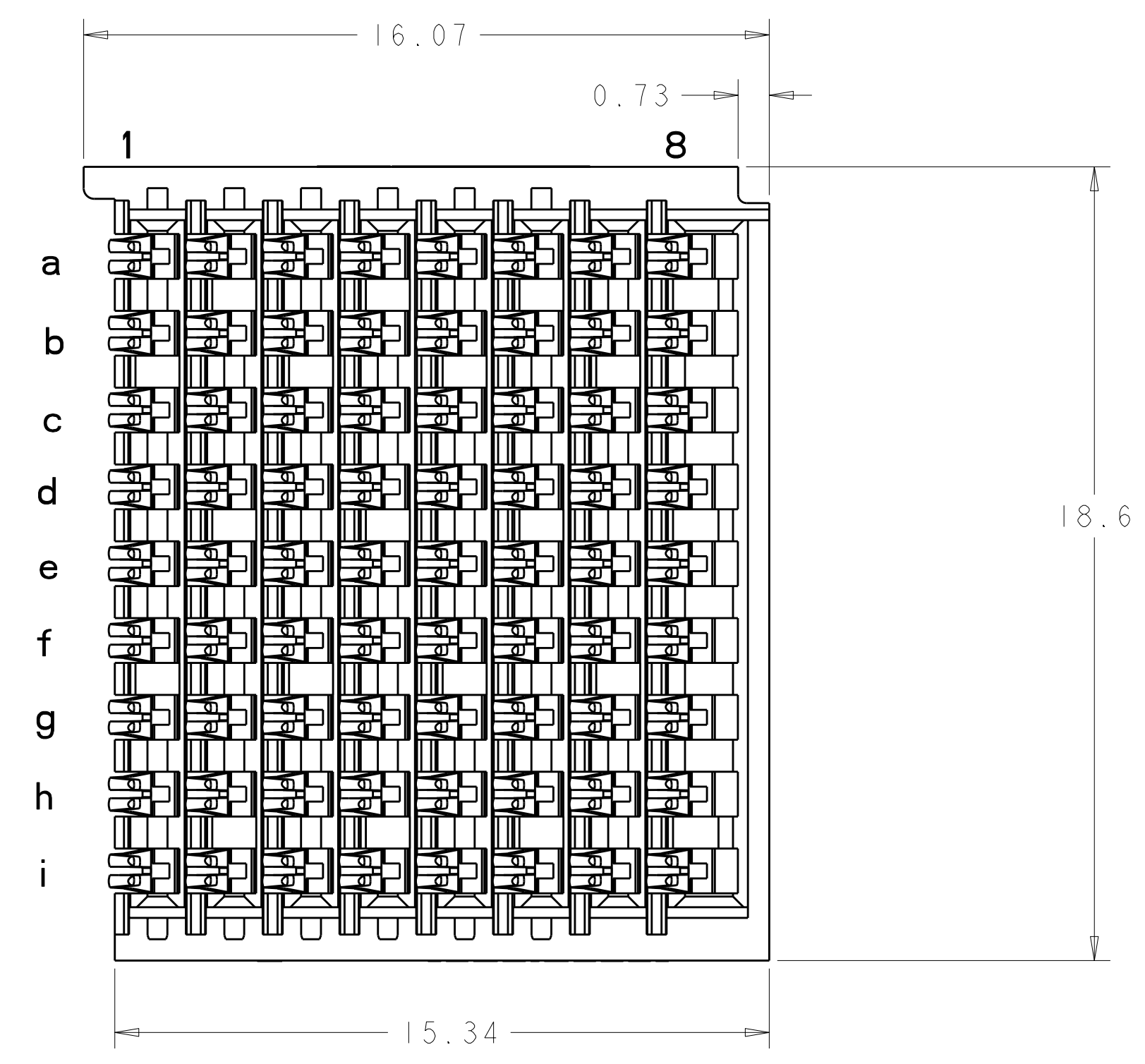
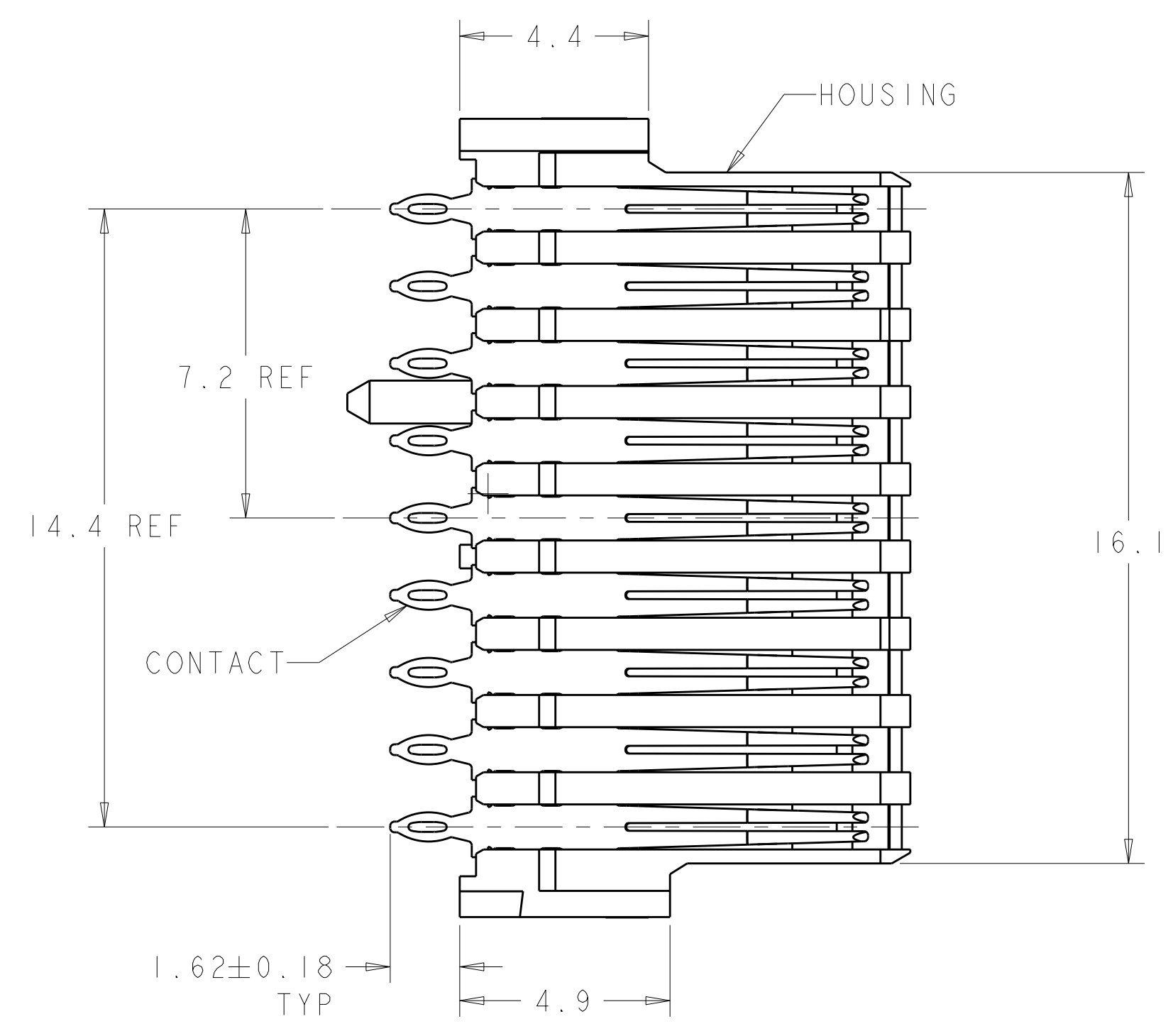
PC BOARD LAYOUT (CONNECTOR SIDE)
 SEE SHEET 2 FOR RTM)
 SCALE 5:1

1410186-2	1410186-1
PLATING	PART NO

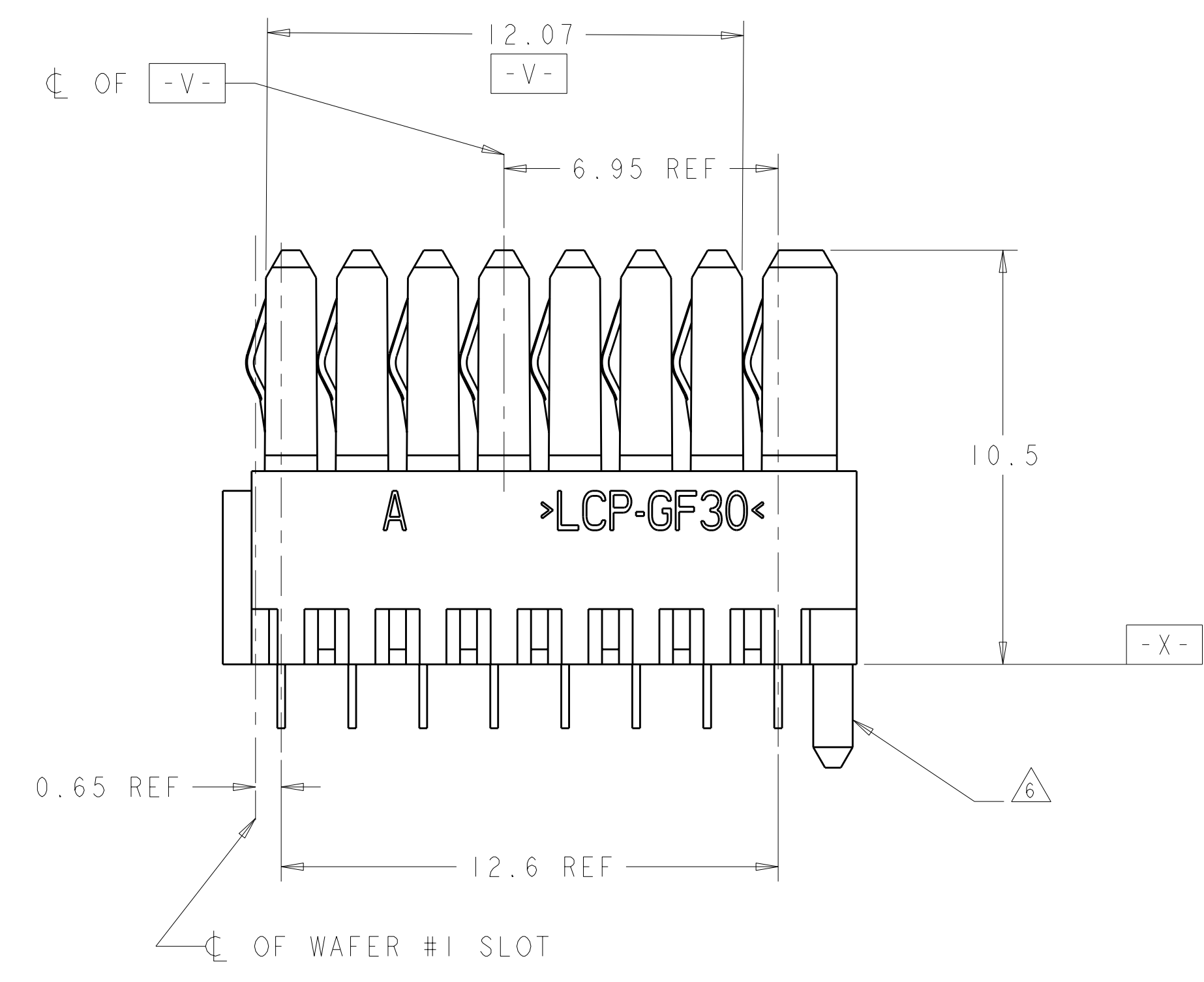
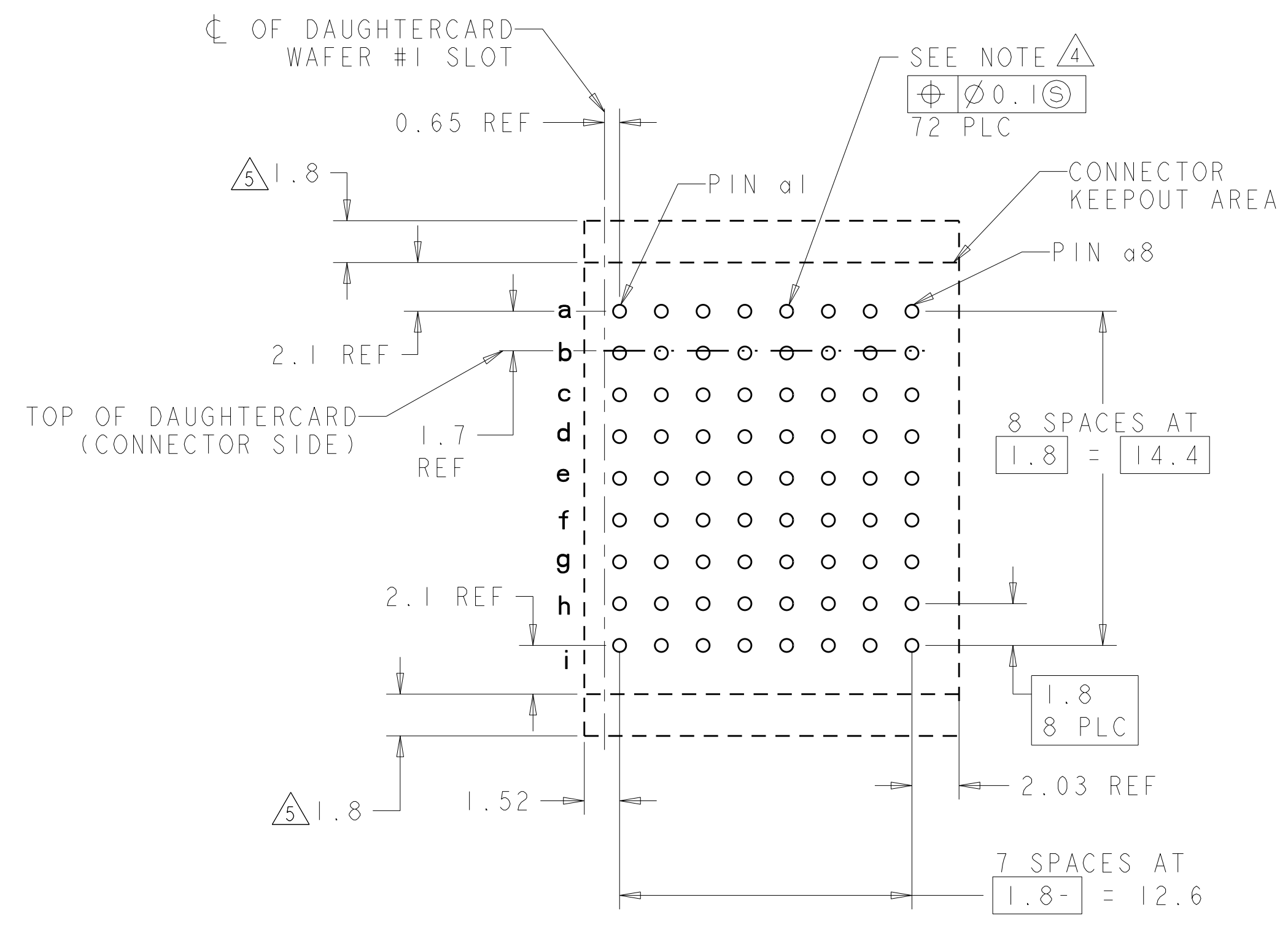
THIS DRAWING IS A CONTROLLED DOCUMENT.		DWN	30SEP2003	TE Connectivity	
DIMENSIONS:		CHK	30SEP2003	NAME	
mm		J. CONSOLI	30SEP2003	CONNECTOR ASSEMBLY, BACKPLANE	
TOLERANCES UNLESS OTHERWISE SPECIFIED:		APVD	30SEP2003	VERTICAL RECEPTACLE, HALF, LEFT END,	
9 PLC	±	PRODUCT SPEC		20.3mm, MultiGig RT 2	
1 PLC	±0.5	APPLICATION SPEC		SIZE CAGE CODE DRAWING NO	
5 PLC	±0.13	114-13056		RESTRICTED TO	
4 PLC	±	WEIGHT		A100779C=1410186	
ANGLES	±1°	CUSTOMER DRAWING		SCALE 4:1 SHEET 1 OF 2 REV C	
MATERIAL		SEE TABLE			

LOC		DIST		REVISIONS			
GP	00	P	LTR	DESCRIPTION	DATE	DWN	APVD
				SEE SHEET 1			

REAR TRANSITION MODULE APPLICATION



- ⚠️ PLASTIC ALIGNMENT PIN MUST BE REMOVED FLUSH TO HOUSING BODY PRIOR TO INSERTION INTO RTM LAYOUT
- ⚠️ OBSOLETE PARTS: OBSOLETE CIS STREAMLINING PER D. RENAUD/D. SINISI



RTM PC BOARD LAYOUT
 (CONNECTOR SIDE)
 SCALE 5:1

THIS DRAWING IS A CONTROLLED DOCUMENT.		DWN	30SEP2003	 TE Connectivity
DIMENSIONS:		CHK	30SEP2003	
mm		J	CONSOLI	NAME CONNECTOR ASSEMBLY, BACKPLANE VERTICAL RECEPTACLE, HALF, LEFT END, 20.3mm, MultiGig RT 2
TOLERANCES UNLESS OTHERWISE SPECIFIED:		APVD	30SEP2003	
9 PLC ± 1 PLC ±0.5 5 PLC ±0.13 4 PLC ± ANGLES ±1°		PRODUCT SPEC	108-2072	SIZE CAGE CODE DRAWING NO A100779C-1410186
MATERIAL FINISH SEE TABLE		APPLICATION SPEC	114-13056	
		WEIGHT		RESTRICTED TO
		CUSTOMER DRAWING		SCALE 4:1 SHEET 2 OF 2 REV C