

5GD!%&+- *!\$%

F9J €€ B

0 BP J HENRY
8/25/2006 ECN-63418
ISSUE FOR REVIEW

A BP J HENRY
11/14/2006 ECN-67649
RELEASE FOR PRODUCTION

B BP J HENRY
12/19/2006 ECN-69097
ADD SHEETS 2 & 3. SHT 2: ADD FOOTPRINT. SHT 3: ADD STENCIL LAYOUT.

C TP J HENRY
12/9/2008 ECN-102178

NOTES: CHG NOTE 4 FROM FROM TRAY TO TAPE & REEL. UPDATE BOM FROM TRAY-SEAFO18-40-5-10-AP TO CT-SEAFO28M. TOP VIEW SHEET 1. RECOMMENDED PCB LAYOUT SHEET 2 & 3. RECOMMENDED STENCIL SHEET 3. ADD VITA SPEC PINOUTS TO THESE VIEWS. ROWS A THRU K, AND POSITIONS 01-40

577 90HBB79C: 8F5K B:
577 90HP8 K H: 89J 5HC B G G498
85HR:
7CA D5BM
71 GCA 9F B5H F9
DF B48 B5A 9
D-C89BC:
:5L Bc:

BC HPG
%: @FCK G' z(z+z, CB@M
&' (7) F9DF 9G9BH G5 7 F #7 5 @8-A 9B€ B"
" "A B A I A 'D I G< C I H: C F 7 9. "+" @
(" "D5FHGC '69D57?5; 98 'B 'H5D9/ 'F99@ [7]

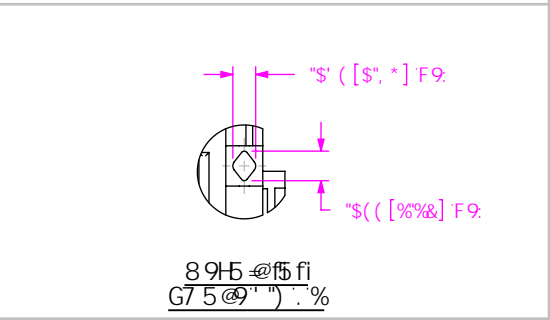
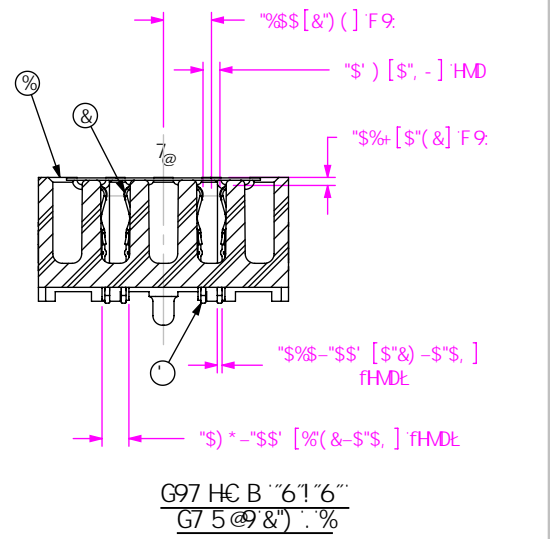
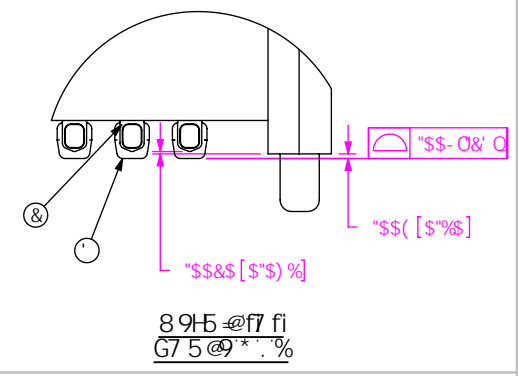
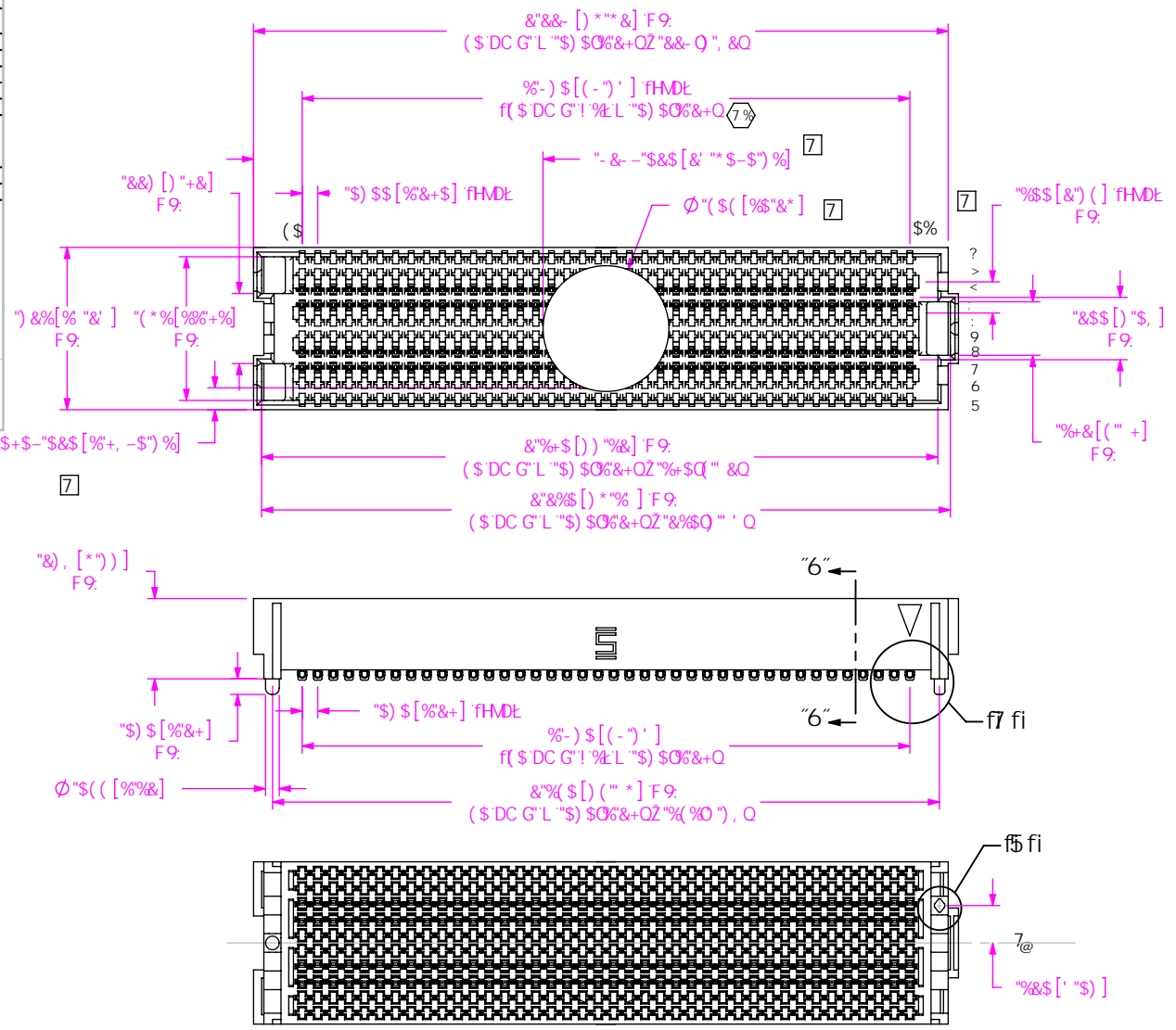
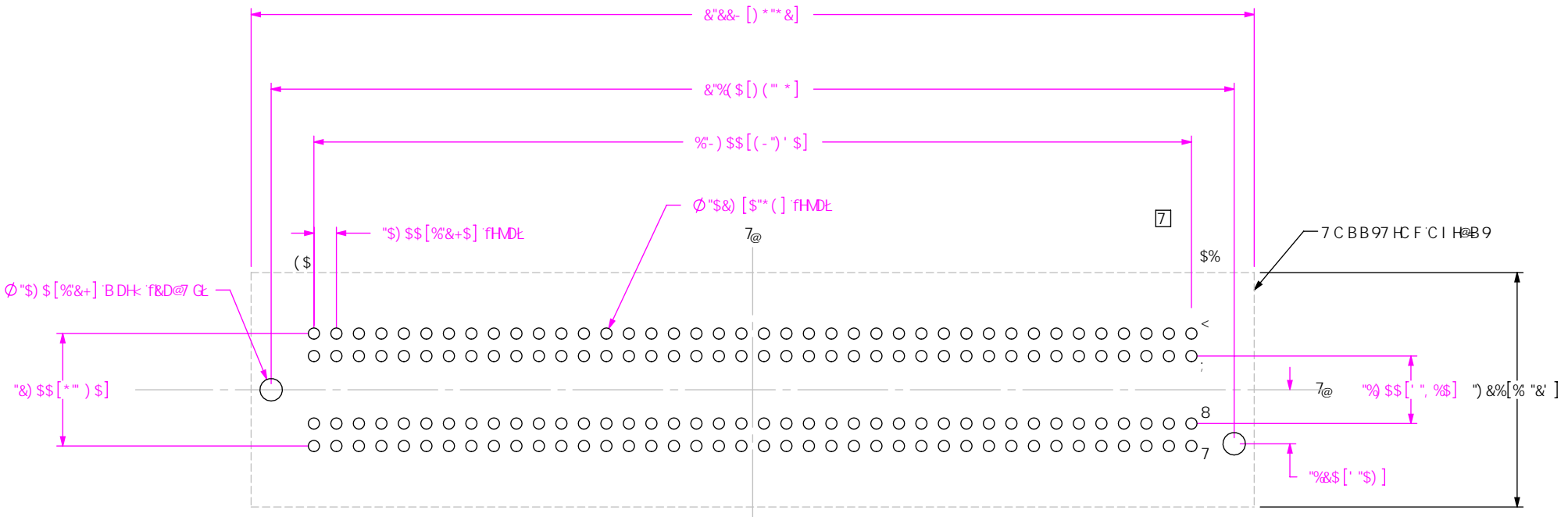



Table with 4 columns: #PA 'BC", D5FHBI A 69F, EI 5BH#M, A 5H9F-5@. Rows contain alphanumeric characters and symbols.

I B @GG C H: 9FK @9' @97 @98Z
8-A 9BGC BG 5F9-B 'B7 < 9G"
HC @9F5B7 9G 5F9.
897 A 5@G
"LL ±\$%O Q" @&°
"LLL ±\$S) 0% Q
"LLLL ±\$S&S) %Q
DFC DF-9H5FMBC H9
H: 68C 71A 98H7 C B16 8G B: CFA 5HC B
7 C B: 89B H5 @588 DFC DF-9H5FMC
GSA H97 Z B7 5B8 G: 5 @BC H69F 90FC 81 7 98
C F H5BG 9F 98 HC C H: 9F 8C 71 A 9B H G C F
8 47 @C 98 HC C H: 9F G C F I 98 : C F 5BM
DI FDC @9 C H: 9F H: 5B H: 5HK < 7 < H: K 5G
C 616 8 98 K H: C I H: 9 9L DF 9G 98 K F H 98
7 C B 98 HC : GSA H97 Z B7 "

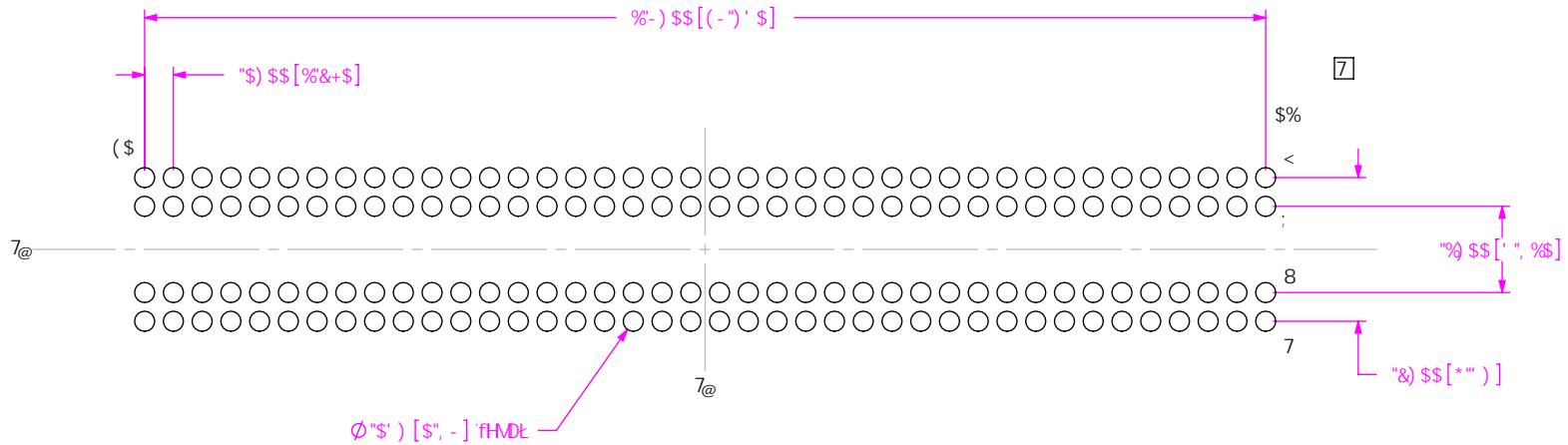
samtec logo and technical specifications including part numbers and dimensions.



f5 @@8 -A 9B €€ B G'GMA A 9H 7 '5 6 C I Hk 9'7 9B H9F @B 9L

<p>DFC DF-9H5 FMBCH9 H: 68C 71A 98H7 C B H 6 B G: CFA 5HC B 7 C B: 8 9B H 6 @5 B 8 DFC DF 9H5 FMB C G5A H97 Z B 7 * 5 B 8 G: 5 @B C H 6 9 F 90 F C 81 7 98 C F H 5 B G 9 F 98 H C H: 9 F 8 C 7 1 A 9 B H C F 8 6 7 @C 98 H C H: 9 F G C F I 9 8 : C F 5 B M D I F D C 9 C H: 9 F H: 5 B H: 5 H K < 7 < H K 5 G C 6 H 6 B 98 K H: C I H H: 9 L D F 9 8 9 8 K F H H 8 7 C B 9 8 H C: G5A H 9 7 Z B 7 *</p>	 <p>) & \$ D5 F ? ' 95 GH6 @ 8 Z B 9 K : 5 @5 B M B : (+) \$ D < C B 9 , % & - (! * + ' : : : : : : : : 5 L : , % & - (, !) \$ (+ Y ! A U] : j z : 4 G5A H97 ' Wc a : : : : : : : Wc X Y .)) ' & &</p>
<p>G < 99 H G 7 5 @9 . % %</p>	<p>8 9 G 7 F @ H C B . "\$) \$ D + 7 < ' G C 7 ? 9 H 5 F F 5 M 5 G G 9 A 6 @ M 8 K : " " B C * 5 GD ! % & + - - * ! \$ % 6 M 6 " D 9 F F M , # &) # & \$ \$ * G < 99 H & C : (</p>

BC H9.
"GH9B 7 @HC '69"\$\$\$* 0% QHk-7 ?



f5 @@8-A 9BG€ BG'GMA A 9H 7 '5 6C I HH: 9'7 9BH9F @B 9Ł

DFC DF-9H5FMBC H9

H: 68C 71A 98H7 C B H 6 B G: C F A 5 H C B
 7 C B: 8 9 B H 6 @ 5 B 8 D F C D F 9 F 6 F M C
 G 5 A H 7 Z B 7 * 5 B 8 G: 5 @ B C H 6 9 F 9 D C 8 I 7 9 8
 C F H 5 B G 9 F 9 8 H C H: 9 F B C 7 1 A 9 B H C F
 B 6 7 @ C 9 8 H C H: 9 F G C F 1 9 8 : C F 5 B M
 D I F D C 9 C H: 9 F H: 5 B H: 5 H K < 7 < H K 5 G
 C 6 H 6 B 9 8 K H: C I H H: 9 9 D F 9 9 9 8 K F H H 8
 7 C B 9 8 H C: G 5 A H 7 Z B 7 *

G< 99HG7 5@9. %%



) &\$ D5 F? '95 GH6@ 8zB 9K '5 @5 B M B '(+%) \$
 D< C B 9', %& - ((! * + ' : ; , . : : 5 L : ; %& - (, !) \$(+
 Y ! A U] : } z 4 G 5 A H 7 " \ a : : : : : : : \ z X Y .)) ' &&

89G7 F@HC B.

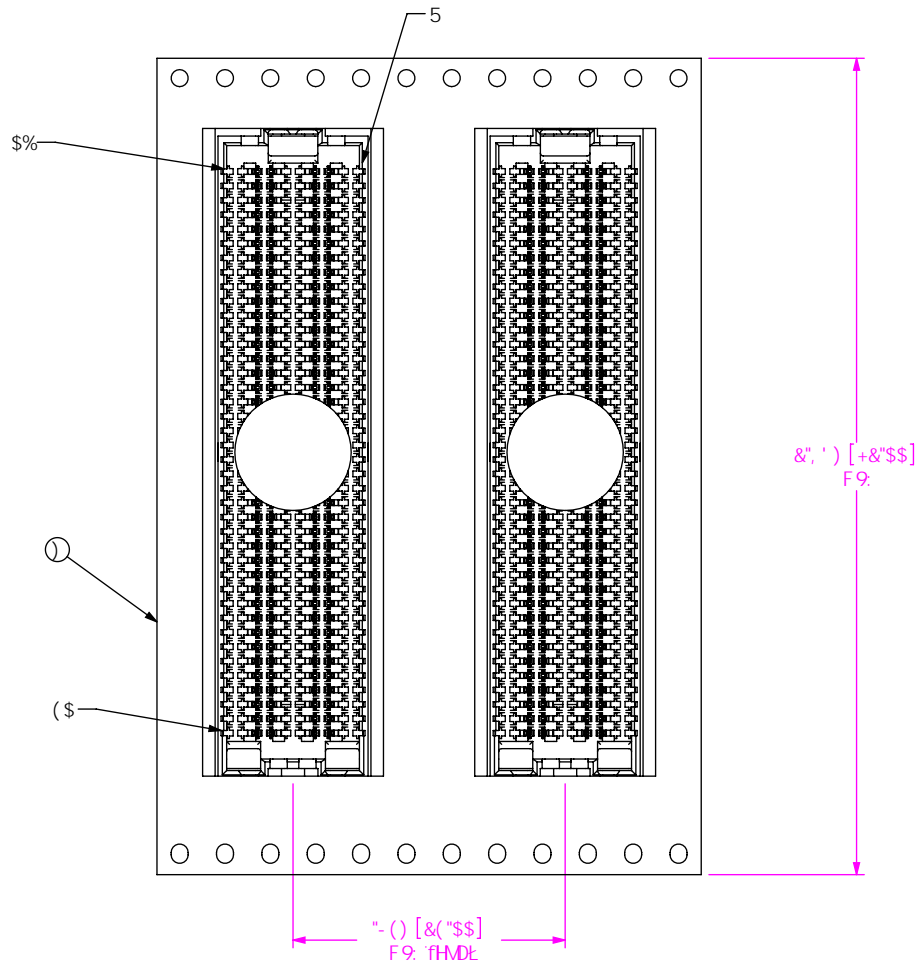
8K : "BC"

5 GD!%&+- *!\$%

6M 6"D9FFM , #&) #&\$ \$* G< 99H" C: (

5GD!%&+- *!\$%

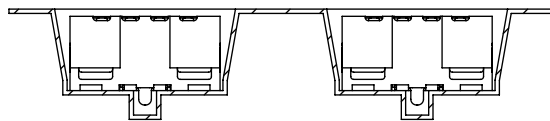
F9J GCB 7



8.7" (+0.005")
F9

1.4" (+0.005")
F9

7



I G9F 8 F97 HC B C : 1 BF99@B;

.....DC 7 ?9HBC H8 9H5 @98

.....D5 7 ?5; B; J 9K

DFC DF-9H5 FMBC H9

H: 68C 71A 98H7C B16 BG 8: CFA 5HC B
7CB: 898H5 @588 DFC DF 96FMBC
G5A H97 Z B 7 588 G: 5 @BC H69 F90FC B1 7 98
CF HF5BG 9FF98 HC C H: 9F BC 71A 98H6CF
B 67 @C 98 HC C H: 9FGC F1 98H : CF 5BM
DI FDC G9C H: 9F H: 5B H: 5HK < 7 < HK 5G
C 6H 6 B 98 K H: C1 H: 9 9LDF 9G98 K F H98
7CB G98 HC: G5A H97 Z B 7

G< 99HG7 5 @9. %&



)&\$ D5F? 95GH6@ 8ZB9K 5 @6BMZ-B (+%) \$
D<CB9; %8- ((1* *: 5L.; %8- (, !)\$ (+
YIA UJ): bZ: 4 G5A H97 Wc: a WcXY.)) &&

89G7 F @HC B.
"\$) \$'D#7 < 'GC 7 ?9H5FF5M5GG9A 6@M

8K: "BC"
5GD!%&+- *!\$%

6M 6"D9FFM , #&) #&\$*\$ G< 99H('C: (

:.PBK : PGK P5GDP%+\$\$SP5CD!%&+- *!\$%G@B8FK