

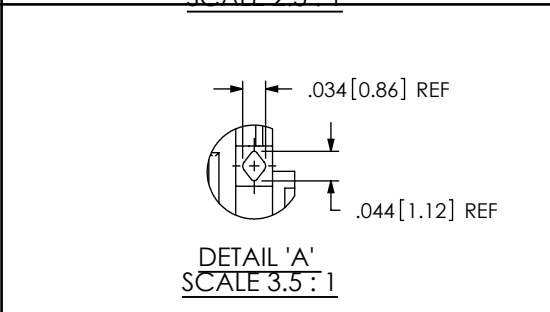
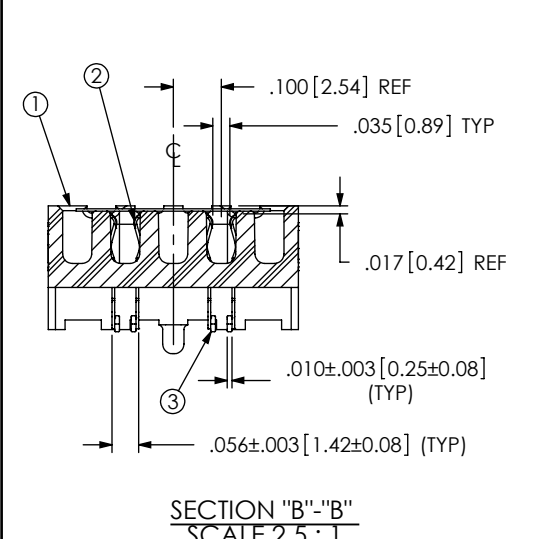
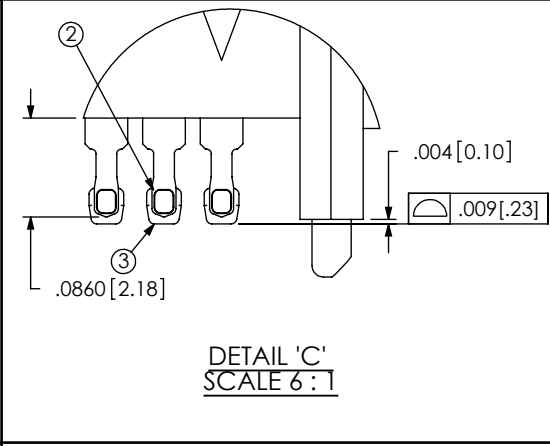
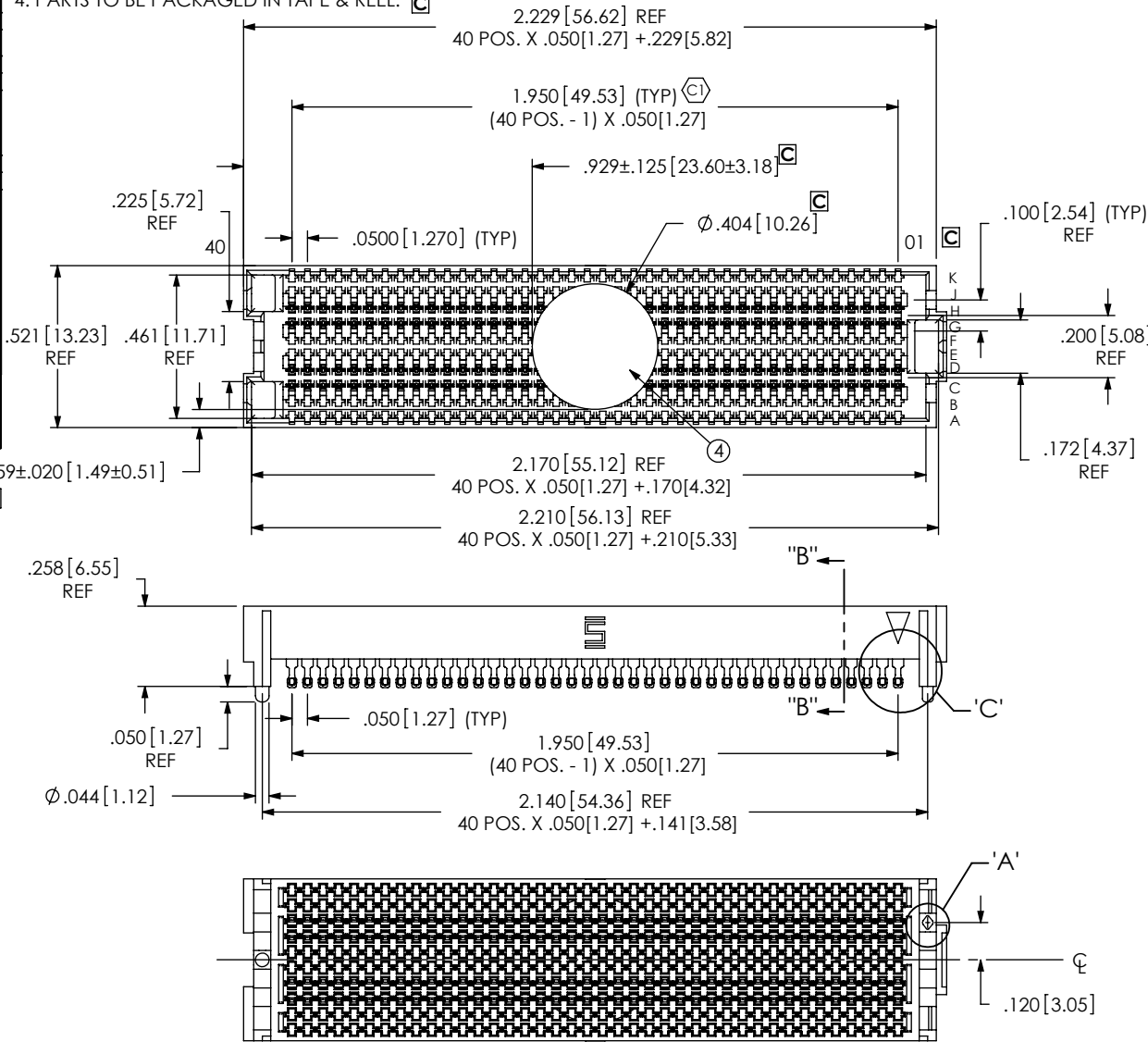
ASP-134603-01

NOTES:

1. **FILL ROWS 3, 4, 7, 8 ONLY, NOT AVAILABLE AS STANDARD.**
2.  $\text{\textcircled{C}}$  REPRESENTS A CRITICAL DIMENSION.
3. MINIMUM PUSHOUT FORCE: .75 LB.
4. PARTS TO BE PACKAGED IN TAPE & REEL.  $\text{\textcircled{C}}$

REVISION

A	SS	R SKEES
10/31/2007 ECN-82531		
RELEASE FOR PRODUCTION		
B	TT	T SPINE
5/19/2008 ECN-91164		
DETAIL C: DELETE .0020, ADD .0860; BOM: CHG ITEM 3 FROM SOLDER (63% TIN/37% LEAD) TO SOLDER (95.5% TIN/3.8% /0.7% COPPER).		
C	TP	J HENRY
12/17/2008 ECN-102601		
NOTES: CHG NOTE 4 FROM FROM TRAY TO TAPE & REEL, UPDATE BOM FROM TRAY-SEAF019-40-6.5-10-AP TO CT-SEAF028MS ADD T&R VIEW SHEET 4: TOP VIEW SHEET 1; RECOMMENDED PCB LAYOUT SHEET 2 & RECOMMENDED STENCIL SHEET 3; ADD VITA SPEC PINOUTS TO THESE VIEWS, ROWS A THRU K, AND POSITIONS 01-40, ADD K-DOT-404- 500-.005 TO BOM & AND ALL VIEWS		



ACCEPTANCE OF DRAWING  
ACCEPTED WITH DEVIATIONS LISTED

DATE: \_\_\_\_\_  
COMPANY: \_\_\_\_\_  
CUSTOMER SIGNATURE \_\_\_\_\_  
PRINTED NAME \_\_\_\_\_  
PHONE No: \_\_\_\_\_  
FAX No: \_\_\_\_\_

ITEM NO.	PART NUMBER	QUANTITY	MATERIAL
1	SEAF-40-06.5-10-A	1.0000	VECTRA 473i, COLOR: BLACK
2	C-209-06.5-S	160.00	BRUSH ALLOY 390 HT
3	SDT-645-012-02	160.00	SOLDER (95.5% TIN/3.8% /0.7% COPPER)
4	K-DOT-.404-.500-.005	1.0000	POLYIMIDE FILM
5	CT-SEAF028MS	1.0000	CONDUCTIVE POLYMER

UNLESS OTHERWISE SPECIFIED, DIMENSIONS ARE IN INCHES. TOLERANCES ARE:

DECIMALS ANGLES  
.XX: ±.01 [.3] 2°  
.XXX: ±.005 [.13]  
.XXXX: ±.0020 [.051]

PROPRIETARY NOTE  
THIS DOCUMENT CONTAINS INFORMATION CONFIDENTIAL AND PROPRIETARY TO SAMTEC, INC. AND SHALL NOT BE REPRODUCED OR TRANSFERRED TO OTHER DOCUMENTS OR DISCLOSED TO OTHERS OR USED FOR ANY PURPOSE OTHER THAN THAT WHICH IT WAS OBTAINED WITHOUT THE EXPRESSED WRITTEN CONSENT OF SAMTEC, INC.

DO NOT SCALE DRAWING SHEET SCALE: 3:1

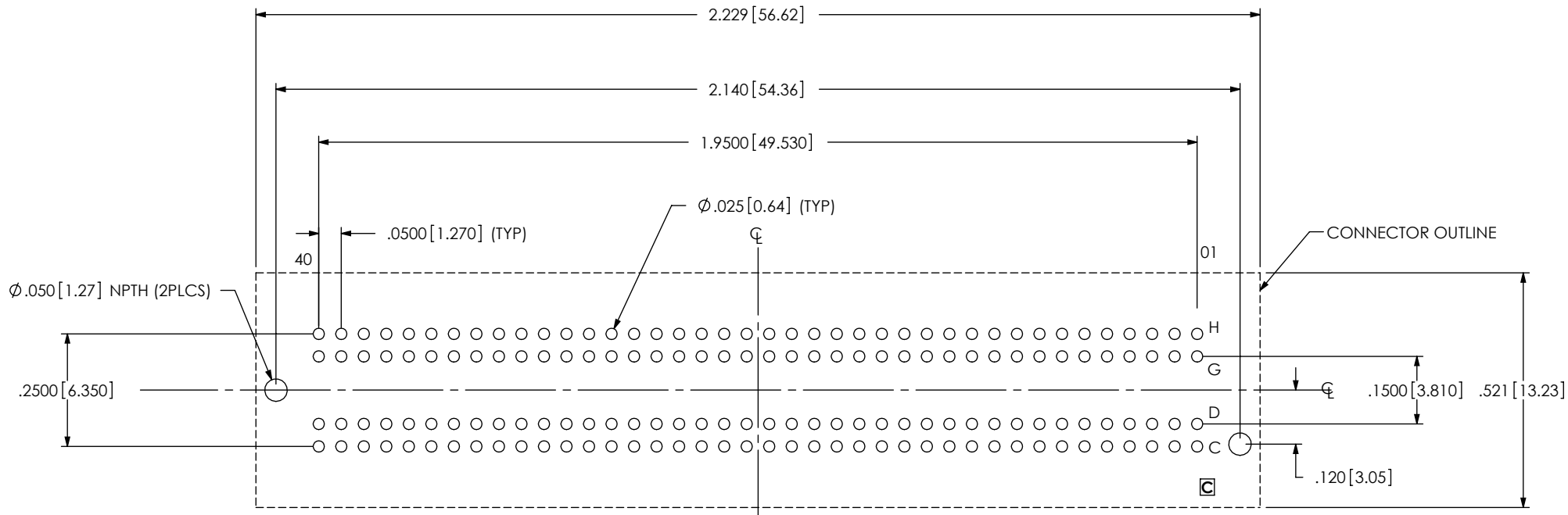
PLATING:  
CONTACT AREA: .000030 GOLD OVER .000050 NICKEL  
REMAINDER: .000200 REF TIN OVER .000050 NICKEL

520 PARK EAST BLVD, NEW ALBANY, IN 47150  
PHONE: 812-944-6733 FAX: 812-948-5047  
e-Mail: info@SAMTEC.com code: 55322

DESCRIPTION:  
.050 PITCH SOCKET ARRAY ASSEMBLY

DWG. NO.  
**ASP-134603-01**

BY: S. SELLE 10/31/2007 SHEET 1 OF 4



(ALL DIMENSIONS SYMMETRIC ABOUT THE CENTERLINE)

**PROPRIETARY NOTE**

THIS DOCUMENT CONTAINS INFORMATION CONFIDENTIAL AND PROPRIETARY TO SAMTEC, INC. AND SHALL NOT BE REPRODUCED OR TRANSFERRED TO OTHER DOCUMENTS OR DISCLOSED TO OTHERS OR USED FOR ANY PURPOSE OTHER THAN THAT WHICH IT WAS OBTAINED WITHOUT THE EXPRESSED WRITTEN CONSENT OF SAMTEC, INC.



520 PARK EAST BLVD., NEW ALBANY, IN 47150  
 PHONE: 812-944-6733 FAX: 812-948-5047  
 e-Mail: info@SAMTEC.com code: 55322

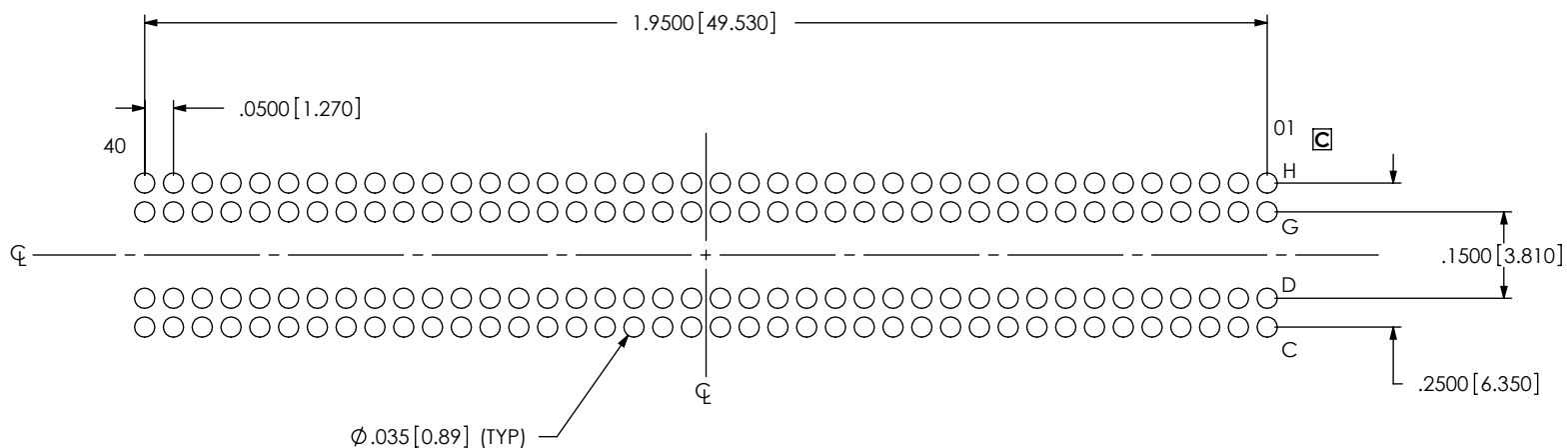
SHEET SCALE: 1:1

DESCRIPTION:  
 .050 PITCH SOCKET ARRAY ASSEMBLY

DWG. NO.  
 ASP-134603-01

BY: S. SELLE 10/31/2007 SHEET 2 OF 4

NOTE:  
STENCIL TO BE .006[.15] THICK



(ALL DIMENSIONS SYMMETRIC ABOUT THE CENTERLINE)

**PROPRIETARY NOTE**

THIS DOCUMENT CONTAINS INFORMATION CONFIDENTIAL AND PROPRIETARY TO SAMTEC, INC. AND SHALL NOT BE REPRODUCED OR TRANSFERRED TO OTHER DOCUMENTS OR DISCLOSED TO OTHERS OR USED FOR ANY PURPOSE OTHER THAN THAT WHICH IT WAS OBTAINED WITHOUT THE EXPRESSED WRITTEN CONSENT OF SAMTEC, INC.



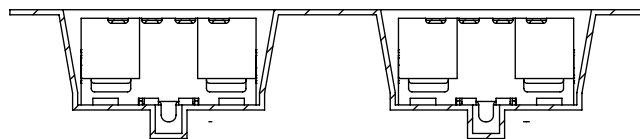
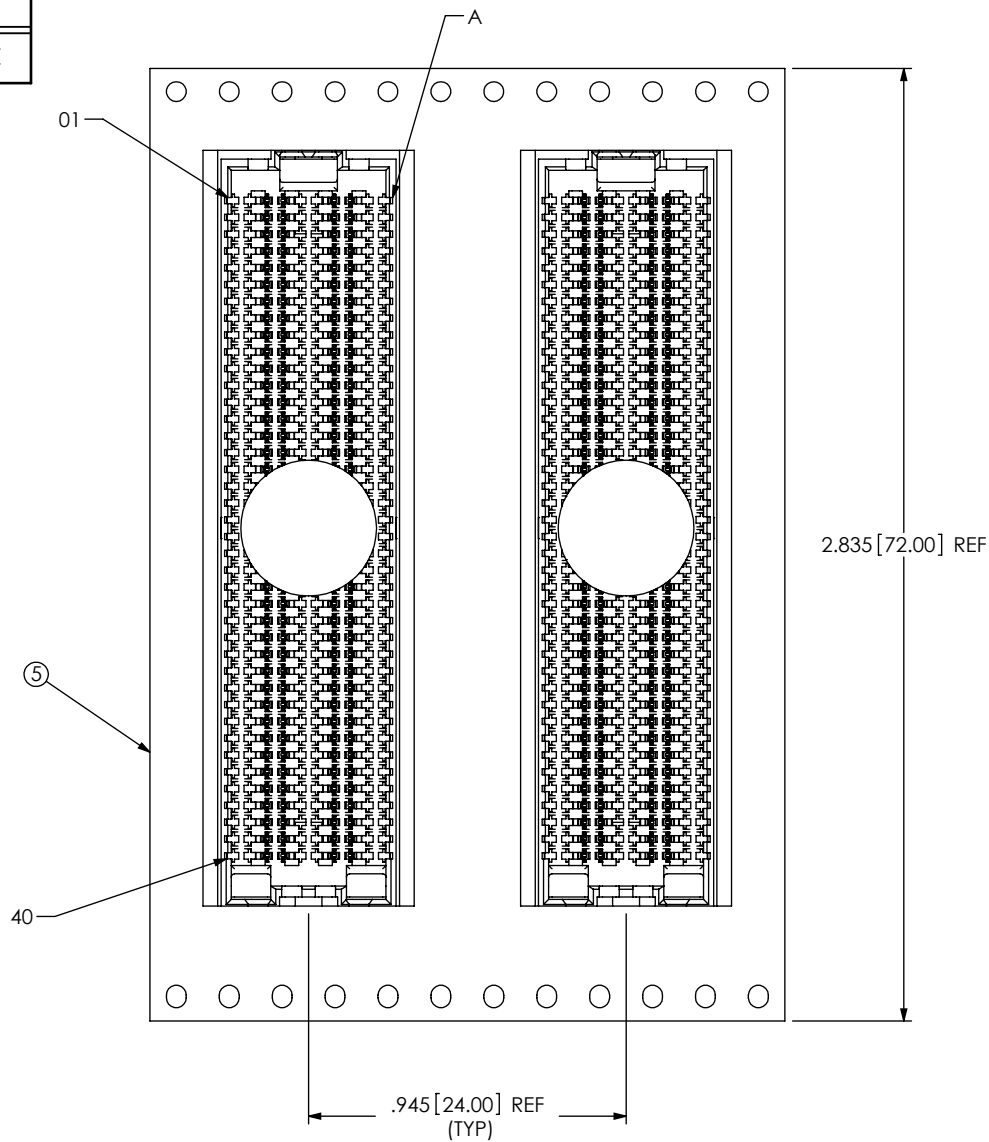
520 PARK EAST BLVD., NEW ALBANY, IN 47150  
PHONE: 812-944-6733 FAX: 812-948-5047  
e-Mail: info@SAMTEC.com code: 55322

SHEET SCALE: 1:1

DESCRIPTION:  
.050 PITCH SOCKET ARRAY ASSEMBLY

DWG. NO.  
ASP-134603-01

BY: S. SELLE 10/31/2007 SHEET 3 OF 4



USER DIRECTION OF UNREELING →  
POCKET NOT DETAILED

PACKAGING VIEW



**PROPRIETARY NOTE**

THIS DOCUMENT CONTAINS INFORMATION  
CONFIDENTIAL AND PROPRIETARY TO  
SAMTEC, INC. AND SHALL NOT BE REPRODUCED  
OR TRANSFERRED TO OTHER DOCUMENTS OR  
DISCLOSED TO OTHERS OR USED FOR ANY  
PURPOSE OTHER THAN THAT WHICH IT WAS  
OBTAINED WITHOUT THE EXPRESSED WRITTEN  
CONSENT OF SAMTEC, INC.



520 PARK EAST BLVD, NEW ALBANY, IN 47150  
PHONE: 812-944-6733 FAX: 812-948-5047  
e-Mail: info@SAMTEC.com code: 55322

SHEET SCALE: 1:2

DESCRIPTION:  
.050 PITCH SOCKET ARRAY ASSEMBLY

DWG. NO. ASP-134603-01

BY: S. SELLE 10/31/2007 SHEET 4 OF 4