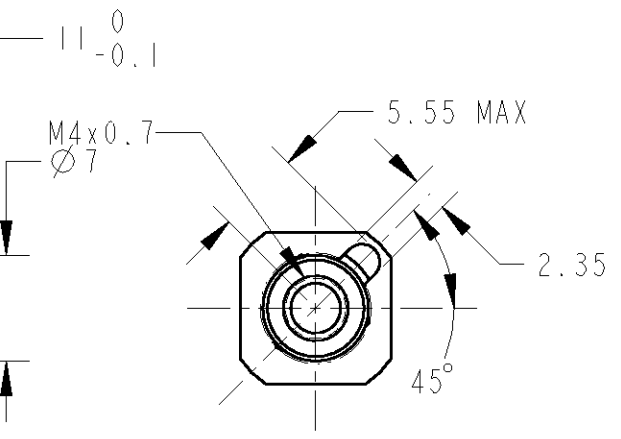
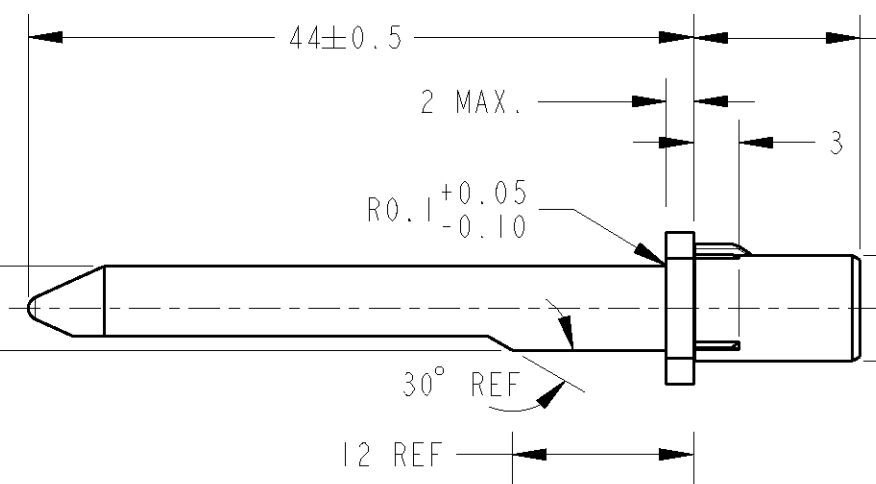
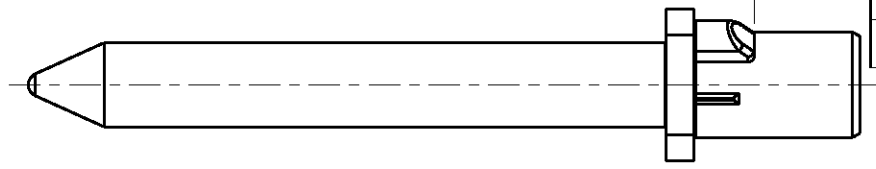
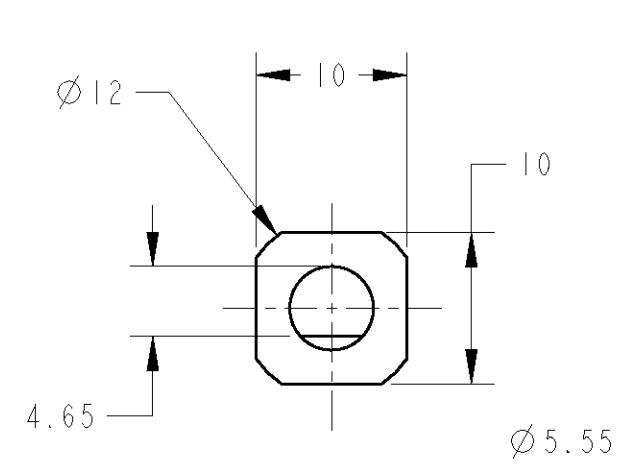
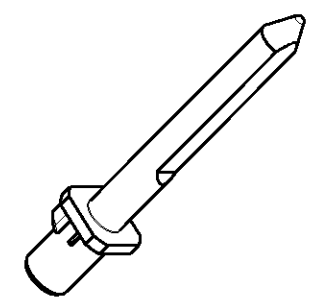


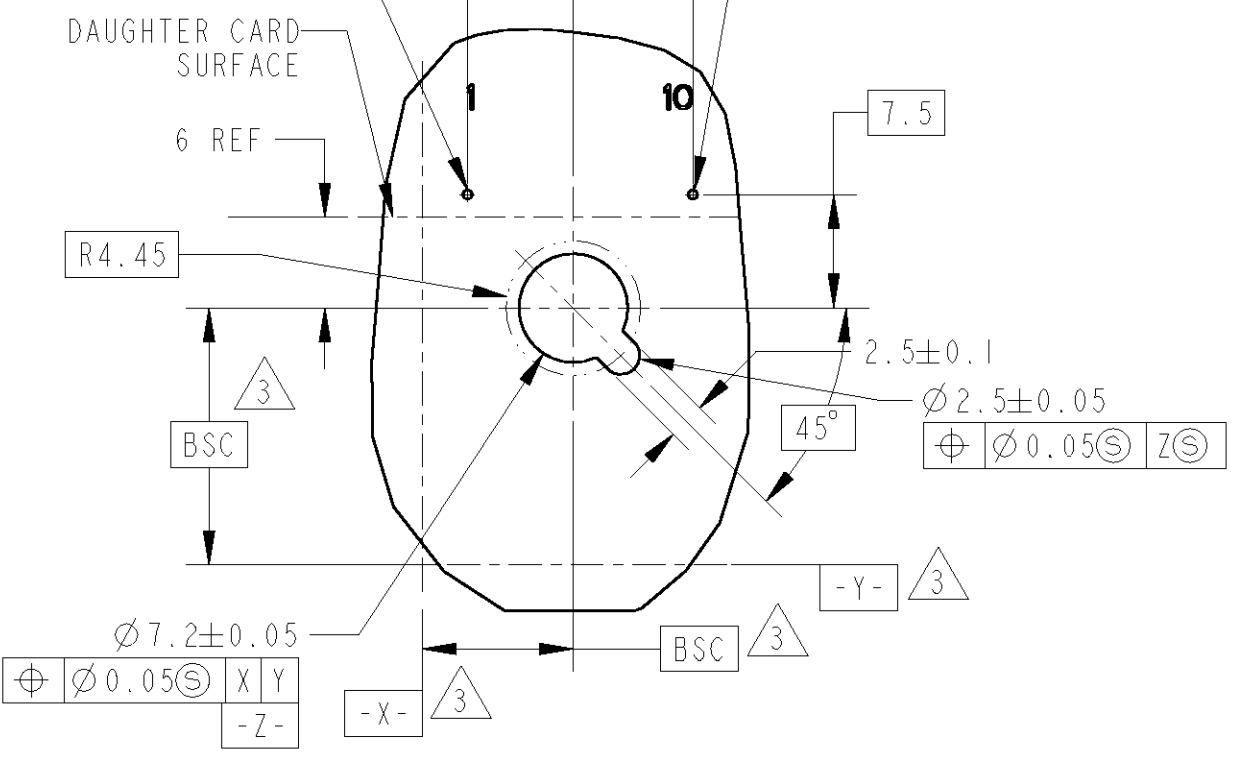
THIS DRAWING IS UNPUBLISHED. RELEASED FOR PUBLICATION 20
 © COPYRIGHT 20 BY TYCO ELECTRONICS CORPORATION. ALL RIGHTS RESERVED.

LOC J
 DIST -

REVISIONS		DATE	DWN	APVD
P	LTR	DESCRIPTION		
0		RELEASED	T.K	I.E
A		REVISED	T.K	I.E

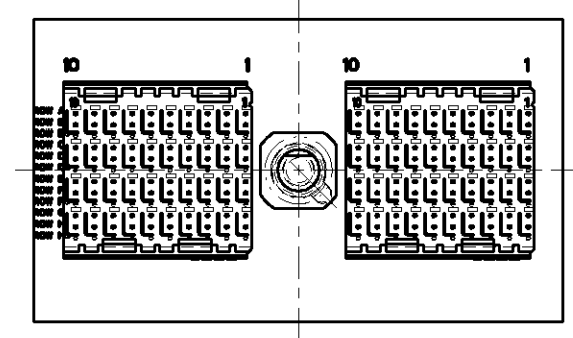


PIN A1 OF ADJACENT HM-ZD CONNECTOR
 7 MIN.
 LAST PIN OF ADJACENT HM-ZD CONNECTOR
 7.9 MIN.



REFERENCE PCB LAYOUT
 SCALE 2:1

- 1 MATERIAL:
ZINC ALLOY DIE CASTING
- 2 FINISH:
NICKEL OVER CU PLATING
- 3 DATUM AND BASIC DIMENSIONS
ESTABLISHED BY CUSTOMER.



FOR REFERENCE
 SCALE 1:1

1279388-1
 PART NUMBER

THIS DRAWING IS A CONTROLLED DOCUMENT FOR TYCO ELECTRONICS CORPORATION IT IS SUBJECT TO CHANGE AND THE CONTROLLING ENGINEERING ORGANIZATION SHOULD BE CONTACTED FOR THE LATEST REVISION.		DWN T. KIMURA 25MAR03 CHK K. IKEGAMI 04JUN03 APVD L. ENOMOTO 04JUN03		tyco Electronics Tyco Electronics AMP K.K. Kawasaki, Japan	
DIMENSIONS: 单位: 毫米 mm		TOLERANCES UNLESS OTHERWISE SPECIFIED: 一般公差 ±0.3 0-PLC ± 1-PLC ± 2-PLC ± 3-PLC ± 4-PLC ± ANGLES ±5		NAME 名称 GUIDE PIN HM-ZD	
MATERIAL 材料 1		FINISH 仕上 2		PRODUCT SPEC 製品規格 APPLICATION SPEC 取付適用規格 WEIGHT - CUSTOMER DRAWING	
SIZE A3		CAGE CODE 00779		DRAWING NO 1279388	
SCALE 尺度		SHEET OF		REV A	