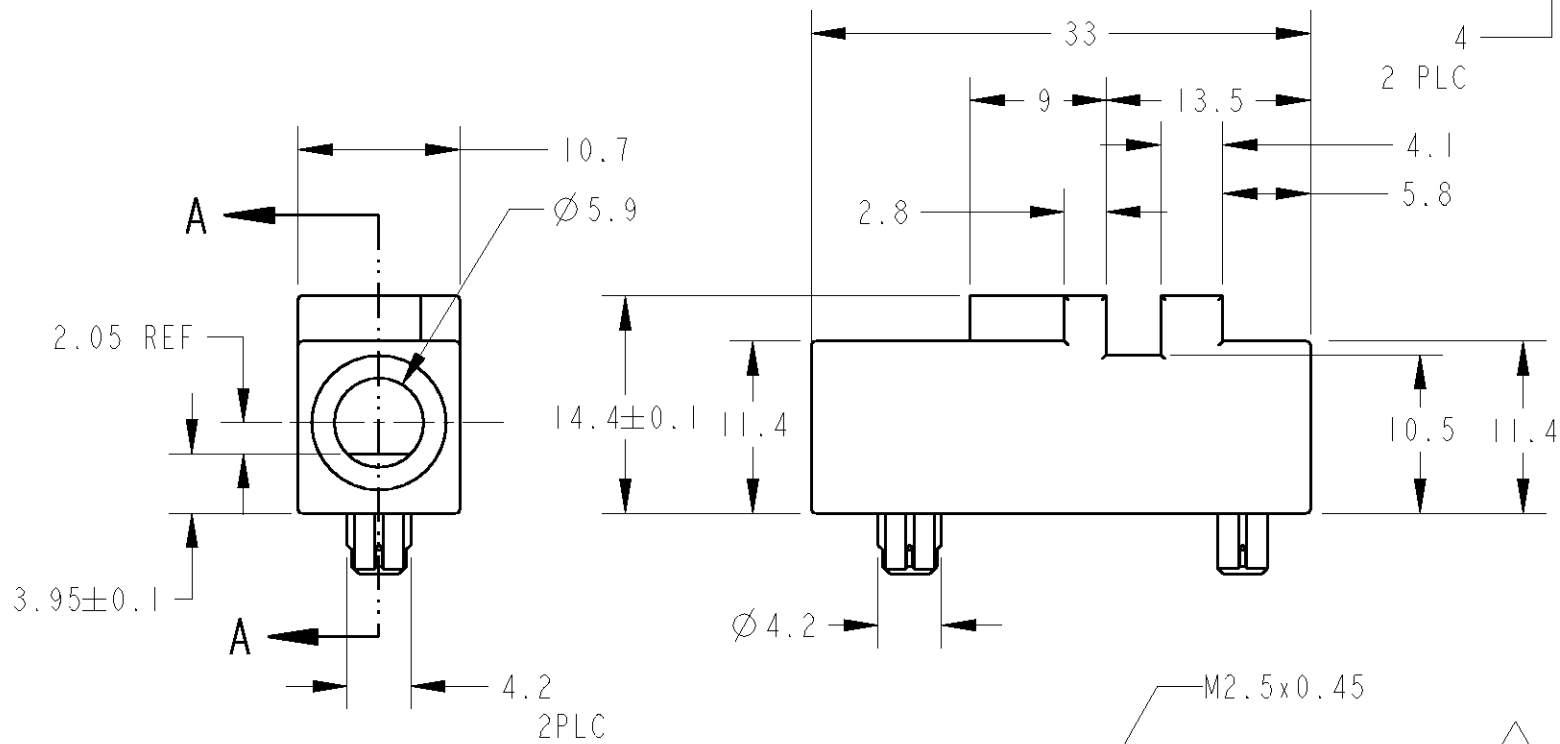
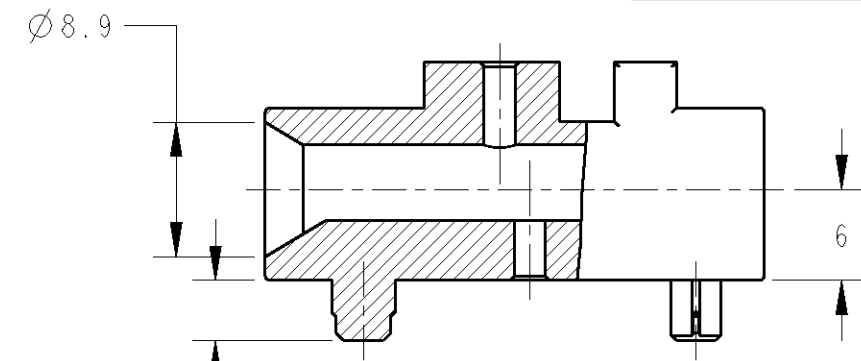
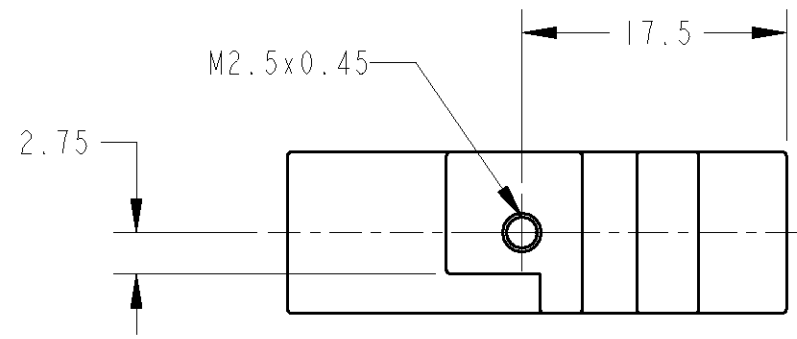
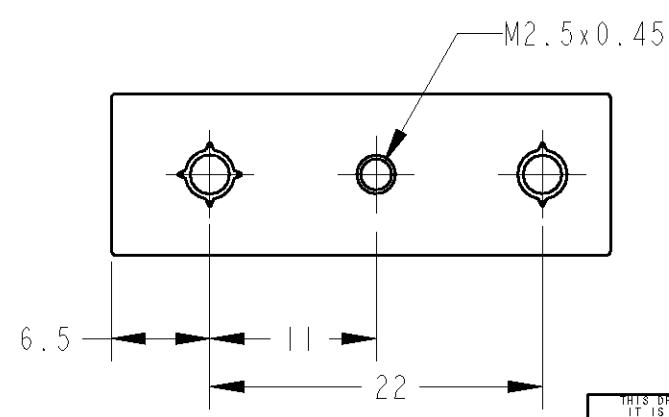
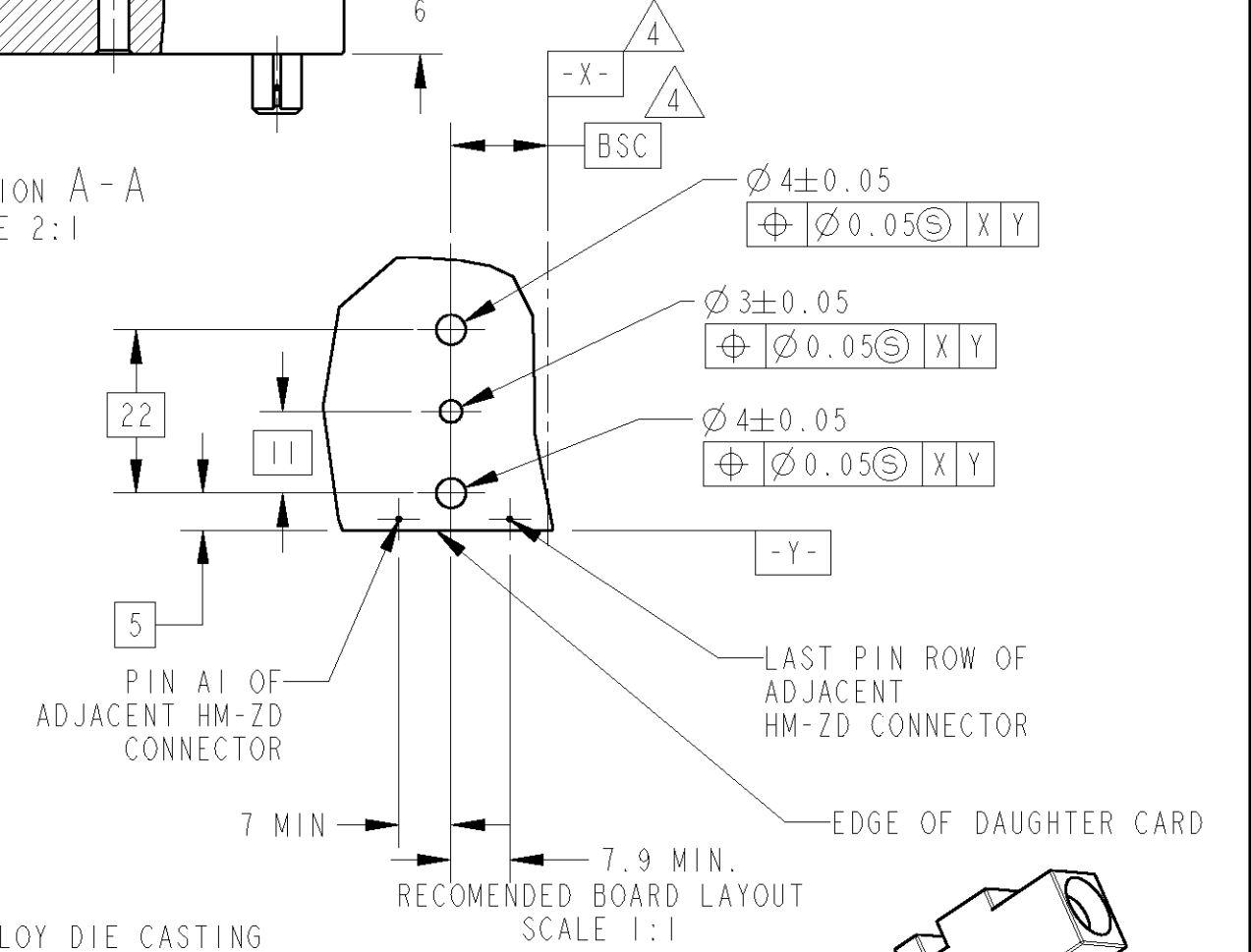


THIS DRAWING IS UNPUBLISHED. RELEASED FOR PUBLICATION 20
 © COPYRIGHT 20 BY TYCO ELECTRONICS CORPORATION. ALL RIGHTS RESERVED.

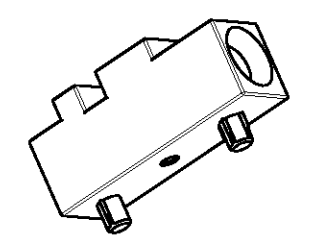
LOC	DIST	REVISIONS						
		P	LTR	DESCRIPTION	ECN	DATE	DWN	APVD
J	-	0		RELEASED	FJB0-0492-03	04JUN03	T.K	I.E



SECTION A-A
SCALE 2:1



- 1 MATERIAL: ZINC ALLOY DIE CASTING
- 2 FINISH: NICKEL OVER CU PLATING
- 3 CORING WILL BE ADDED.
- 4 DATUM AND BASIC DIMESIONS ESTABLISHED BY CUSTOMER.



1279387-1
PART NUMBER

THIS DRAWING IS A CONTROLLED DOCUMENT FOR TYCO ELECTRONICS CORPORATION IT IS SUBJECT TO CHANGE AND THE CONTROLLING ENGINEERING ORGANIZATION SHOULD BE CONTACTED FOR THE LATEST REVISION.		DWN T. KIMURA 20MAR03 CHK K. IKEGAMI 04JUN03 APVD I. ENOMOTO 04JUN03		tyco Electronics Tyco Electronics AMP K.K. Kawasaki, Japan	
DIMENSIONS: 单位: 毫 mm		TOLERANCES UNLESS OTHERWISE SPECIFIED: 一般公差 ±0.3 0-PLC ± 1-PLC ± 2-PLC ± 3-PLC ± 4-PLC ± ANGLES ±5		NAME 名称 GUIDE MODULE RIGHT ANGLE HM-ZD	
MATERIAL 材料 1		FINISH 仕上 2		PRODUCT SPEC 製品規格 - APPLICATION SPEC 取付適用規格 - WEIGHT -	
CUSTOMER DRAWING		SIZE A3 CAGE CODE 00779 DRAWING NO. 1279387		RESTRICTED TO -	
		SCALE 2:1 SHEET 1 OF 1		REV 0	