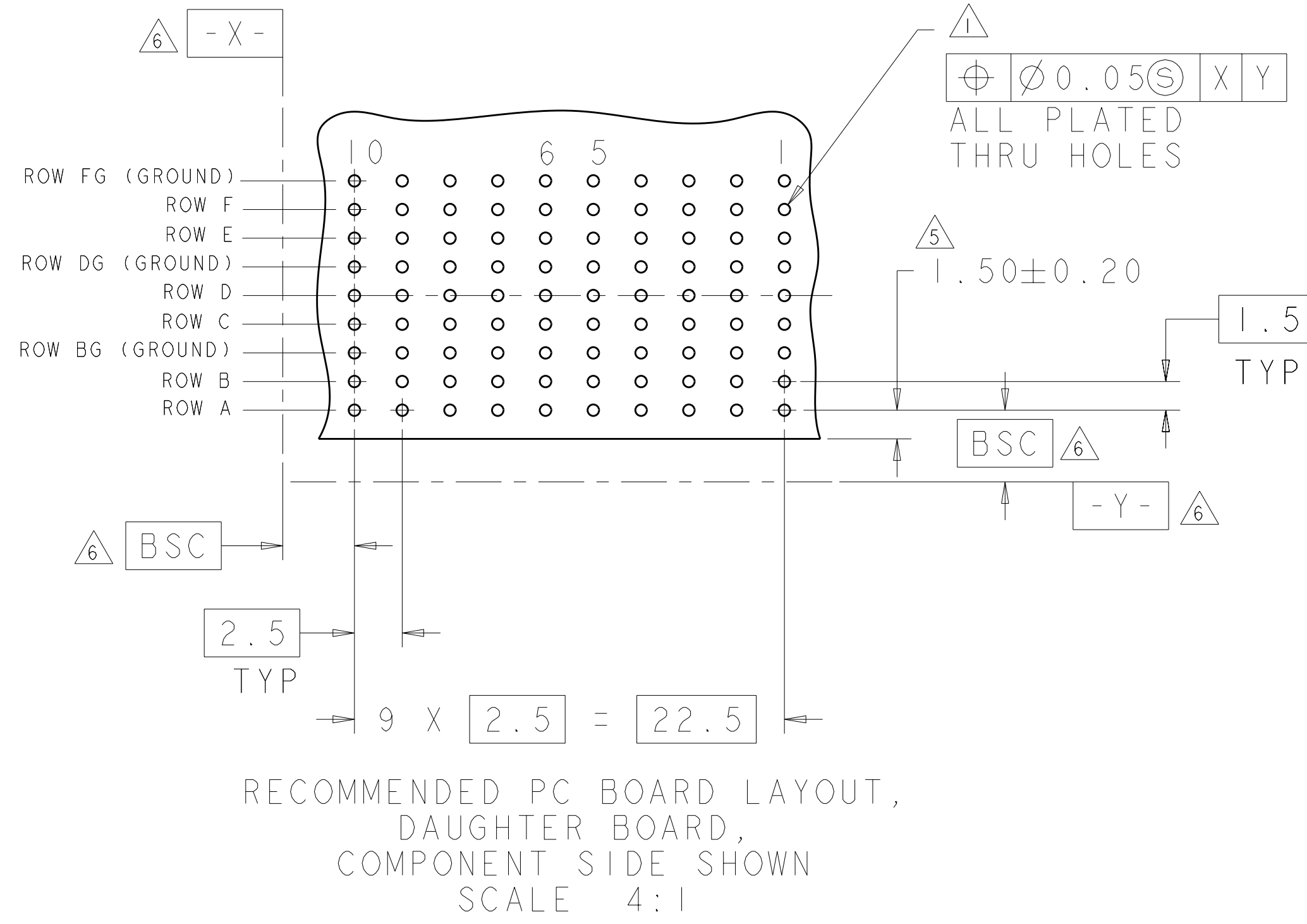
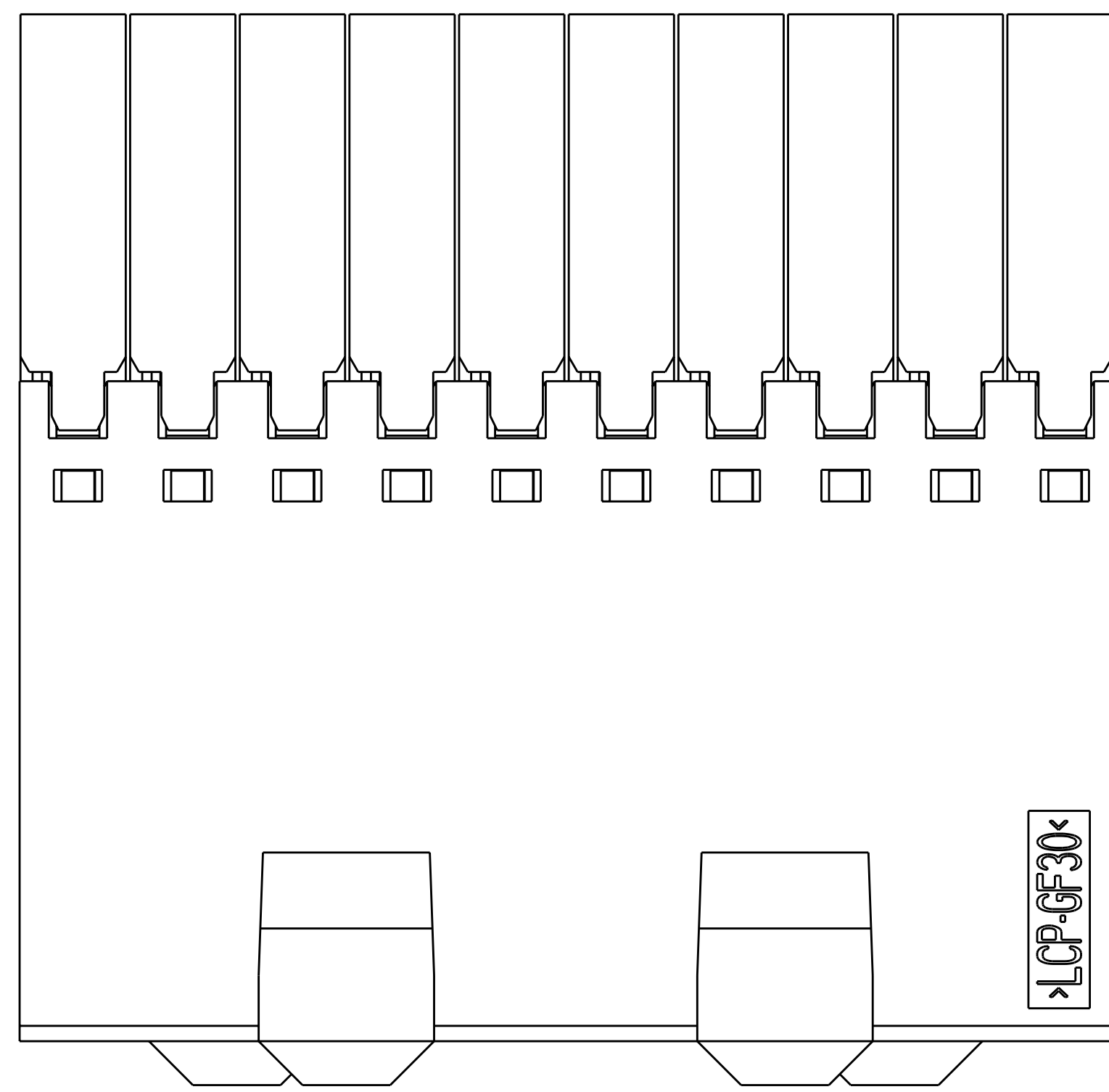
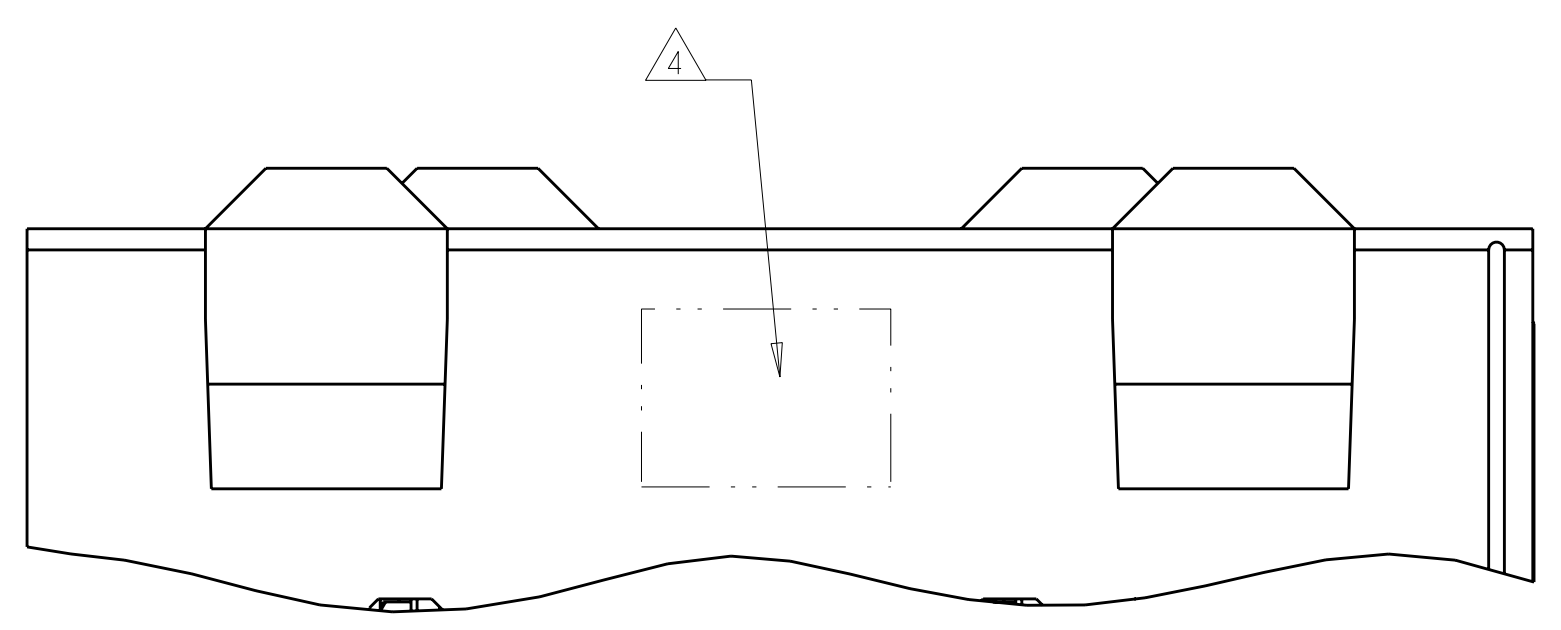
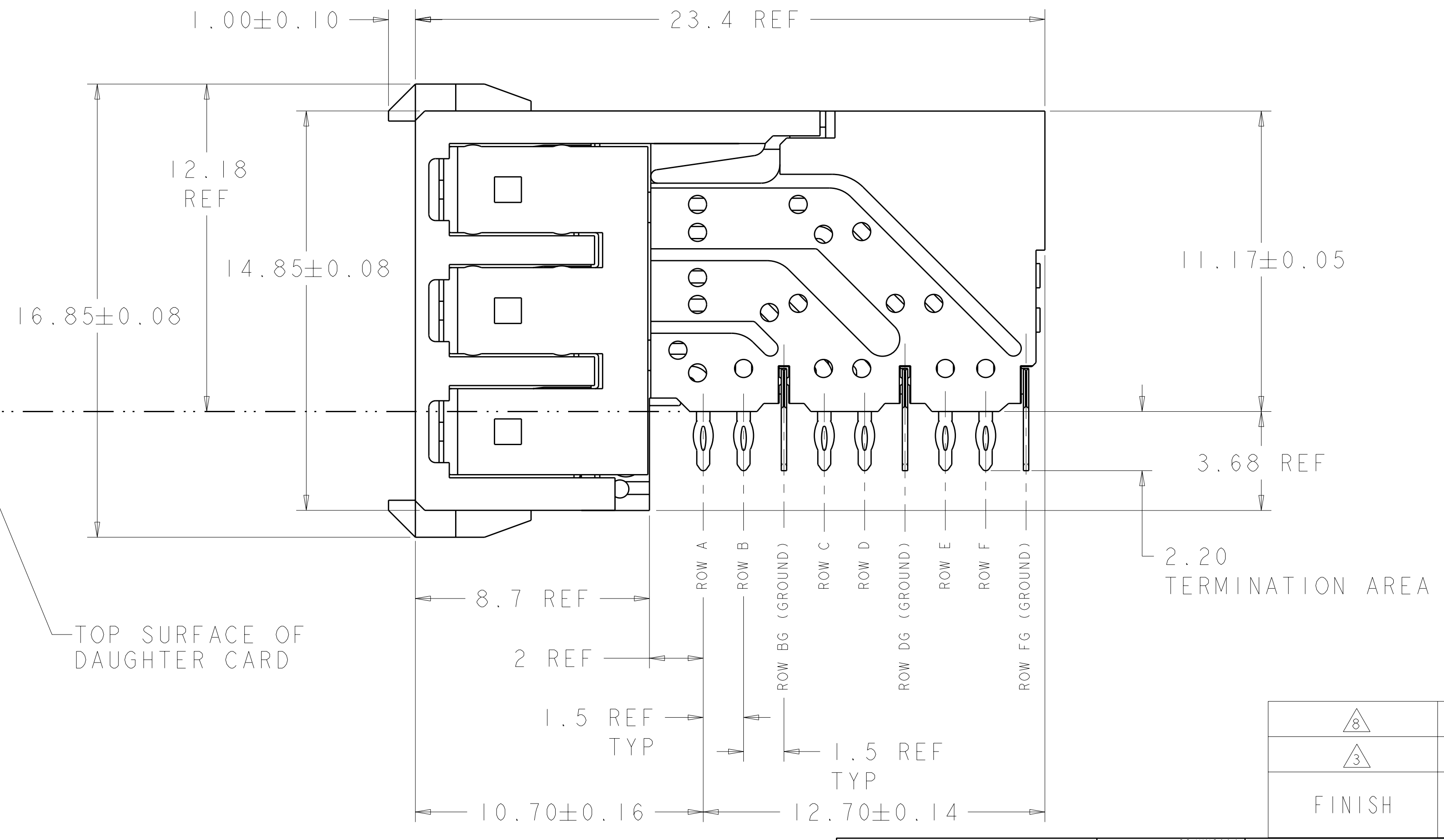
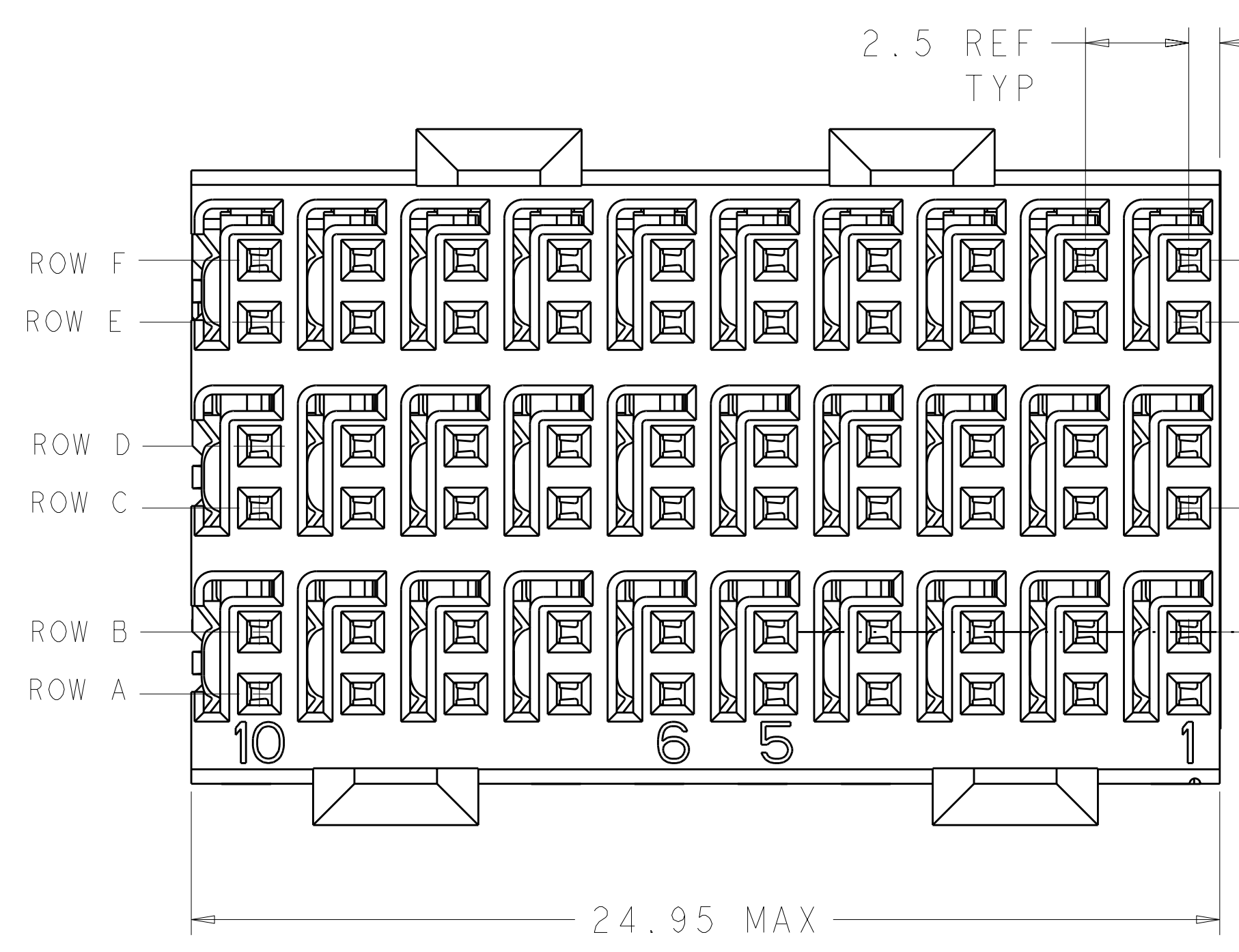


REVISONS		DATE	DWN	APVD
AD	00			
B	REV PER ECO-11-007577	13APR2011	RKC	JE



- ① REFERENCE APPLICATION SPEC 114-13059 FOR RECOMMENDED PLATED THRU HOLE DIAMETER AND PLATING THICKNESSES.
- ② MATERIAL:  
 SHIELD - PHOSPHOR BRONZE  
 CONTACT - COPPER-NICKEL-SILICON  
 HOUSING, CHICKLET AND CHICKLET COVER - GLASS FILLED POLYESTER, UL 94V-0 RATED.
- ③ FINISH: SIGNAL AND GROUND CONTACTS:  
 MATING AREA: MEETS THE PERFORMANCE REQUIREMENTS OF PRODUCT SPECIFICATION 108-2055; BASED ON TELCORDIA GR-1217-CORE, APPLICATIONS IN UNCONTROLLED ENVIRONMENTS  
 COMPLIANT PIN AREA: 0.5 μm MIN MATTE TIN OVER BASE PLATING
- ④ CONNECTOR MARKED WITH PART NUMBER AND DATE CODE IN APPROXIMATE AREA SHOWN.
- ⑤ DIMENSION APPLIES TO CENTERLINE OF THRU HOLE
- ⑥ DATUMS AND BASIC DIMENSIONS ESTABLISHED BY CUSTOMER
- 7. CONTACT AREA LUBRICATED WITH BELLCORE APPROVED LUBRICANT. TECHNICAL REFERENCE: GR-1217-CORE, ISSUE 1, NOVEMBER 1995.
- ⑧ FINISH: CONTACT AND SHIELD  
 MATING AREA - 1.27 μm MIN GOLD OVER 1.27 μm MIN NICKEL  
 COMPLIANT PIN AREA - 0.5 μm MIN TIN OVER 1.27 μm MIN NICKEL



⑧	6469081-2
③	6469081-1
FINISH	PART NUMBER

THIS DRAWING IS A CONTROLLED DOCUMENT.

DIMENSIONS:	TOLERANCES UNLESS OTHERWISE SPECIFIED:	DWN S. MAGARO 28JUN2004	CHK R. PATTERSON 28JUN2004	APVD R. PATTERSON 7MAY2007
mm	0 PLC ±	NAME		
∅	1 PLC ±	RECEPTACLE ASSEMBLY,		
∅	2 PLC ±	3 PAIR, 25mm, HMZd		
∅	3 PLC ±	SIZE CAGE CODE DRAWING NO RESTRICTED TO		
∅	4 PLC ±	A100779C-6469081		
∅	5 PLC ±	SCALE 8:1 SHEET 1 OF 1 REV B		
∅	6 PLC ±	CUSTOMER DRAWING		
∅	ANGLES ±			
MATERIAL	FINISH SEE TABLE			