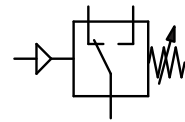


Pressure Switch with Adjustable Hysteresis for PCB

F4010 / F4410

Description	High-precision pressure and vacuum switch with electrical outlet signal. The microswitch satisfies UL and CSA regulations. Polysulphone of the body approved by National Sanitation Foundation. The switch also complies with FDA regulations and is suitable for water and food products.	
Media	compressed air, non-corrosive gases or liquids	
Switch contact	micro SPDT switch, covered by plastic cap	
Contact load	15 A at 230 V AC, 1.2 A at 125 V DC	see chart, consultation needed for AT1004
Electrical connector	3 A or 4 A at 230 V AC, 0.187" (4.75 mm) quick connector for Molex connector	see chart for F4010 and AT1004
Repeatability	0.060" (1.52 mm) solder leads	for F4410
Certifications	± 2% FS	
Switching time	CSA-certified and UL-listed	
Mounting position	25 ms	
Temperature range	any	
Material	4 °C to 66 °C / 40 °F to 150 °F	
	Body: polysulphone	Spring: stainless steel
	Diaphragm: polyurethane	Media non-contact parts: nylon, carbon fibre nylon, acetal



4 ... 12 mbar / 7 bar
-7 ... -170 mbar / -1 bar

Description	Contact rating	Hysteresis typical	Hysteresis max.	Over-pressure	Measurement range off	Measurement range on	Order number
	max. A	mbar	mbar	max. bar	mbar/bar	mbar/bar	

Pressure and vacuum switch							with adjustable hysteresis nylon fitting, Ø 1/16", Ø 2 mm	F4010
pressure switch	15	-	-	1	4 ±1*1 mbar	6 ±1*1 mbar	F4010- 10B80	
	15	-	-	1	4... 12 mbar	6... 40 mbar	F4010- 20B80	
	15	-	-	1	4... 37 mbar	8... 150 mbar	F4010- 30B80	
vacuum switch	15	-	-	-1	-70...-380 mbar	-135...-500 mbar	F4010- X B80	

Pressure switch for PCB							with small hysteresis nylon fitting, Ø 1/16", Ø 2 mm	F4410
pressure switch	3	7	14	2	0.014 ... 0.14 bar	F4410- 2B80		
	4	14	24	2	0.035 ... 0.35 bar	F4410- 5B80		
	4	30	41	3	0.035 ... 1.0 bar	F4410- 15B80		
	4	40	70	4	0.035 ... 2.1 bar	F4410- 30B80		
	4	100	170	8	0.035 ... 4.2 bar	F4410- 60B80		
vacuum switch	4	140	240	8	0.070 ... 7.0 bar	F4410-100B80		
	4	10	20	-1	-0.007 ... -0.17 bar	F4410-X 5B80		
	4	20	34	-1	-0.015 ... -0.34 bar	F4410-X10B80		
	4	30	50	-1	-0.050 ... -1.00 bar	F4410-X30B80		

Pressure switch, factory-set			nylon fitting, ± 10% tolerance Ø 1/16", Ø 2 mm	AT1004
pressure switch	switching point to be indicated in clear text	4 ... 43 mbar		AT1004-... B80

Special options, add the appropriate letter				
barbed fitting	made of	nylon, Ø 1/8", Ø 4 mm	F4. 10- ... B85	
		polysulphone, Ø 1/16", Ø 2 mm	F4. 10- ... P80	
		polysulphone, Ø 1/8", Ø 4 mm	F4. 10- ... P85	
gold contact	0.1 A at 125 V AC		F4. 10- ... 1B	
factory-set switch point	± 5%, switching point to be indicated in clear text		F4. 10- ... X	
free of grease and oil	specialy cleaned, suitable for oxygen		F4. 10- ... L	



F4010-30B80



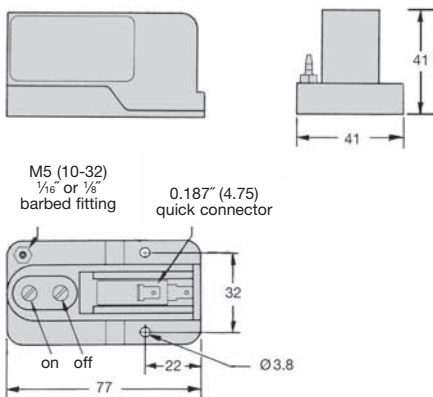
F4410-100B80



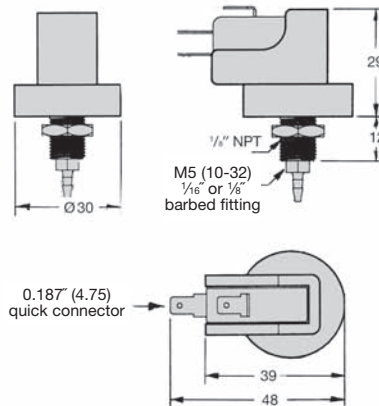
AT1004-17



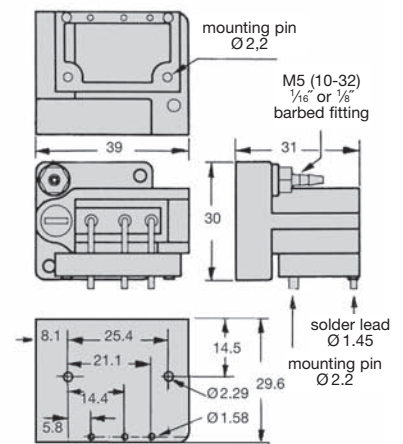
cover cap for switch supplied



F4000



AT1004



F4400

*1 not adjustable



Order example:
F4010-10B80
China website: www.duray-control.cn