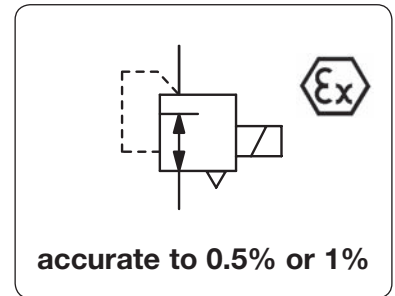


# Proportional Pressure Regulator with Flapper-Nozzle Control

PU6

<b>Description</b>	The proportional pressure transducer translates a direct current or voltage input signal into a proportional pneumatic outlet signal. The valve uses proven moving coil and flapper nozzle technology with a built-in pneumatic relay with slight amplification and positive bias. Additional supply voltage is not necessary. The device has to be protected against vibration.	
<b>Media</b>	5 µm filtered compressed air or non-corrosive gases	
<b>Supply voltage</b>	not required	
<b>Electrical connector</b>	plug according to DIN 43650A, contact gap 18 mm, 3-pin, with coupling socket 30 x 30 mm	
<b>Command signal</b>	0...10 V / 1.1 kΩ at PU6.-B, otherwise 900 Ω	4...20 mA / 200 Ω at PU6.-B, otherwise 260 Ω
<b>Failsafe</b>	exhaust at power breakdown	
<b>Linearity</b>	< 0.5 % FS at 0.2...2 bar, otherwise < 1% FS	
<b>Hysteresis</b>	< 0.25% FS at 0.2...2 bar, otherwise < 1% FS	
<b>Adjustment</b>	Zero point: by 0.3 bar	Range: 40% FS
<b>Temperature range</b>	-30 °C to 65 °C / -22 °F to 149 °F	
<b>Material</b>	Body: chromated aluminium	Nozzle: sapphire in nickel-plated brass plate
	<b>Response sensitivity</b>	< 0.2% FS
	<b>Repeatability</b>	< 0.1% FS
	<b>Vibration sensitivity</b>	< 2% FS, for 10 g and 15...500 Hz
	<b>Mounting position</b>	upright ± 15°
	<b>Protection class</b>	IP 65
	<b>Elastomer:</b>	NBR/Buna-N
	<b>Inner valve:</b>	stainless steel, brass, zinc-plated steel



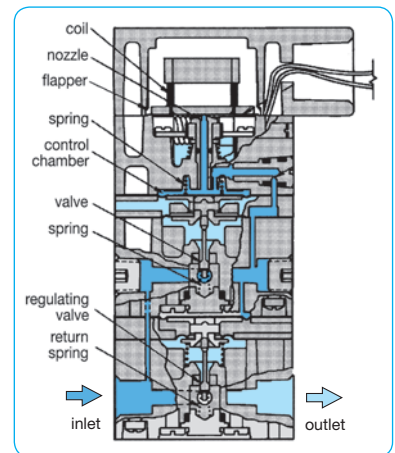
Dimensions			Flow rate l/min*1	Supply pressure max. bar	Command signal V/mA	Pressure range bar	Order number
A	B	C					

Prop. pressure regulator 0 ... 10 V			¼" NPT, depending on pressure range, air consumption 2...8 l/min		PU600		
57	93	13	250	8	0 ... 10 V	0.2...1 0.2...2	PU600-B100 PU600-B200
57	132	13	300	10	0 ... 10 V	0...2 0...4 0...8	PU600-0200 PU600-0400 PU600-0800



PU60.-0.

Prop. pressure regulator 4 ... 20 mA			¼" NPT, depending on pressure range, air consumption 2...8 l/min		PU602		
57	93	13	250	8	4 ... 20 mA	0.2...1 0.2...2	PU602-B100 PU602-B200
57	132	13	300	10	4 ... 20 mA	0...2 0...4 0...8	PU602-0200 PU602-0400 PU602-0800

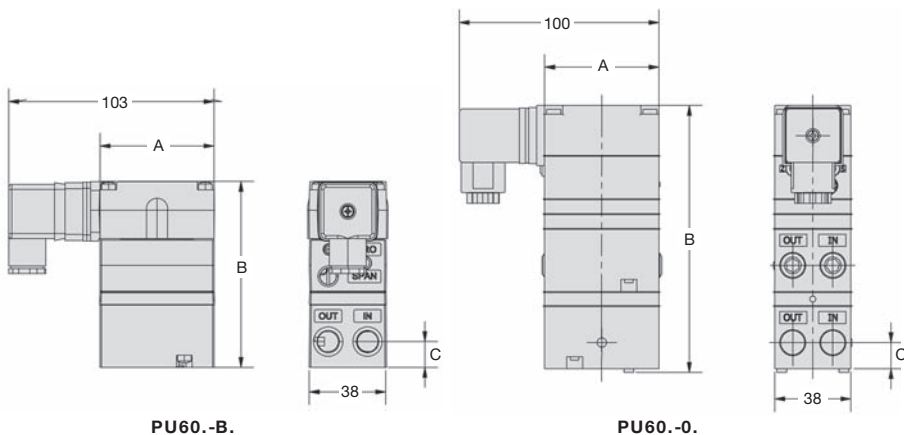


## Special options, add the appropriate number

<b>ATEX version</b>	intrinsically safe: Atex II 1G Ex ia IIC T4	4 ... 20 mA only	PU602-...01
---------------------	---	------------------	-------------

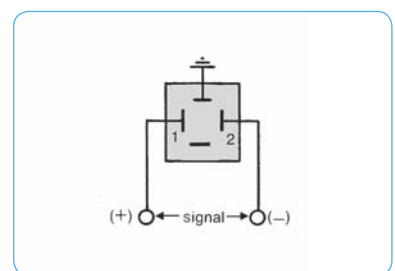
## Accessories, enclosed

<b>mounting bracket</b>	made of steel, for standard version	<b>SA-PT1</b>
<b>isolate transmitter</b>	made of steel, for DIN rail Ex ia II C, E/A: 0-20 mA, 24 V DC, EX 1-32	<b>SA-PT2</b> <b>KFD2-CD</b>



PU60.-B.

PU60.-0.



\*1 at 7 bar supply pressure and 1.4 bar outlet pressure



**Order example:**  
PU600-B100  
China website: www.duray-control.cn

