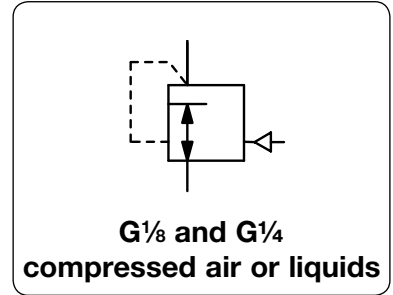


Miniature Volume Booster

R365-JK/ R135-JK

Description	Pilot-operated volume booster of small and light design with diaphragm. Also suitable as separator for media. The R135-JK booster features a sensitive rolling diaphragm permitting good pressure constancy. compressed air, non-corrosive gases or liquids		
Media	compressed air, non-corrosive gases or liquids		
Supply pressure	max. 21 bar at R365-JK,	max. 10 bar at R135-JK	
Pilot pressure	max. 11 bar at R365-JK,	max. 6 bar at R135-JK,	pilot port G $\frac{1}{8}$
Transmission ratio	1:1 pilot pressure: outlet pressure		
Relieving function	non-relieving		
Gauge port	G $\frac{1}{8}$ on both sides of the body, one screw plug supplied for R135-JK or two screw plugs for R365-JK		
Mounting position	any		
Temperature range	R135-JK: 0 °C to 50 °C / 32 °F to 122 °F R365-JK: 0 °C to 80 °C / 32 °F to 176 °F		
Material	Body: brass at R365-JK, POM at R135-JK Elastomer: NBR/Buna-N, optionally FKM at R365-JK Inner valve: brass, optionally stainless steel at R365-JK		



Dimensions			Flow rate		Connection thread	Supply pressure	Pressure range	Order number
A	B	C	m 3 /h*	l/min*	G	max. bar	bar	
mm	mm	mm						

Brass booster						supply pressure max. 10 bar, non-relieving, without constant bleed, transmission ratio 1:1		R365-JK
35	76	12	27	450	G $\frac{1}{8}$	21	0.1 ... 11	R365-01JK
35	76	12	27	450	G $\frac{1}{4}$	21	0.1 ... 11	R365-02JK



R365-01JK

Plastic booster						supply pressure max. 10 bar, non-relieving, without constant bleed, transmission ratio 1:1		R135-JK
36	48	12	15	250	G $\frac{1}{8}$	10	0 ... 6	R135-01JK



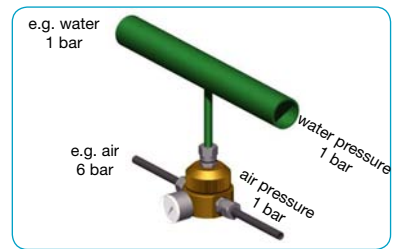
R135-01JK

Special options, add the appropriate letter

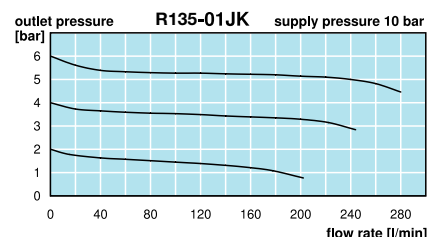
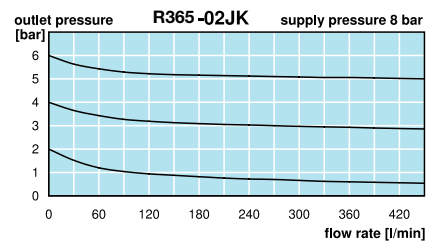
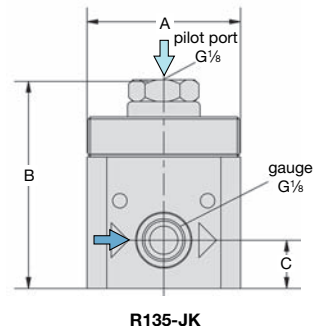
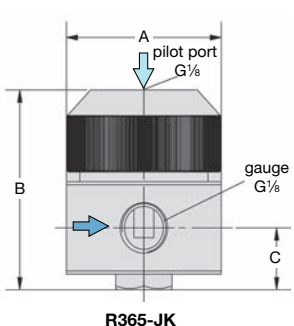
NPT	connection thread	R365-0 .JKN
free of grease and oil	specially cleaned, suitable for oxygen	R365-0 .JKL
FKM elastomer	inner parts made of brass	R365-0 .JKX64
	inner parts made of stainless steel	R365-0 .JKX8
sensitive diaphragm	for precise regulation	R365-0 .JKX50
diaphragm for water	reinforced version	R365-0 .JKX76

Accessories, enclosed

pressure gauge	Ø 23 mm, 0 ... 6 bar, G $\frac{1}{8}$	for R135-JK MA2301-06
	Ø 40 mm, 0 ... 16 bar, G $\frac{1}{8}$	for R365-JK MA4001-16



example for media separator



*1 for R365-JK at 8 bar supply pressure or R135-JK at 10 bar supply pressure, 6 bar outlet pressure and 1 bar pressure drop



Order example:
R365-01JK
China website: www.duray-control.cn