

High Precision Pressure Regulator, Accurate to 5 mbar 5311/53.14

Description

Regulator of proven reliability and durability designed for precise pressure regulation in the event of changes in flow, supply pressure and temperature. Slight exhaust sounds are normal.

Note

To avoid leaks the mounting nut must be screwed tight.

Media

dry, oil-free and 25 µm filtered compressed air

Supply pressure

max. 10 bar

Accuracy

at varying supply pressures: < 1 mbar pressure deviation
at varying volume flows: < 5 mbar pressure deviation

Air consumption

max. 2 l/min, subject to outlet pressure

Adjustment

by handwheel with locknut, for panel mounting

Mounting position

any

Relieving function

relieving, the exhaust valve's diameter is six times greater than the regulating valve's diameter

Gauge port

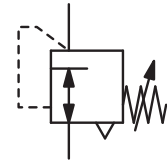
G $\frac{1}{4}$ or $\frac{1}{4}$ " NPT on both sides of the body, identical with the connection thread

Temperature range

0 °C to 70 °C / 32 °F to 158 °F, for appropriately conditioned compressed air down to -30 °C / -22 °F

Material

Body: zinc die-cast Measuring capsule: beryllium copper
Elastomer: NBR/Buna-N



G $\frac{1}{4}$ and $\frac{1}{4}$ " NPT
280 l/min

Dimensions			Description	K _v value	Flow rate	Connection thread	Pressure range	Order number
A	B	C						
mm	mm	mm		(m ³ /h)	m ³ /h*1	l/min*1	G/NPT	bar

Precision pressure regulator

supply pressure max. 10 bar, relieving, with constant bleed, accuracy 5 mbar

Manostat

54	70	14	standard	0.16	17	280	G $\frac{1}{4}$	0.14 ... 1.7	53.1102.4X
								0.14 ... 4.0	53.1102.5X
								0.14 ... 8.0	53.1102.6X
54	70	14	standard	0.16	17	280	$\frac{1}{4}$ " NPT	0.14 ... 1.7	53.1102.00
								0.14 ... 4.0	53.1103.00
								0.14 ... 8.0	53.1104.00
54	70	14	with gear 6:1	0.16	17	280	$\frac{1}{4}$ " NPT	0.14 ... 1.7	53.1102.96
								0.14 ... 4.0	53.1103.96
								0.14 ... 8.0	53.1104.96
54	70	14	tapped exhaust $\frac{1}{8}$ " NPT	0.16	17	280	$\frac{1}{4}$ " NPT	0.14 ... 1.7	53.1402.00
								0.14 ... 4.0	53.1403.00
								0.14 ... 8.0	53.1404.00

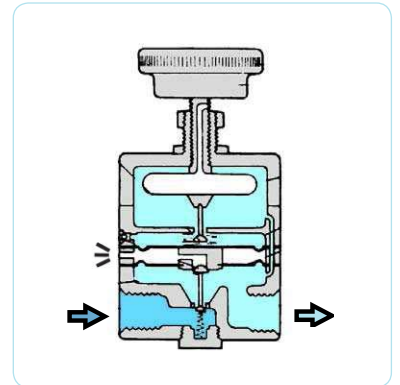


53.1102.6X

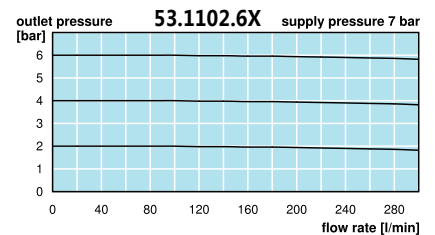
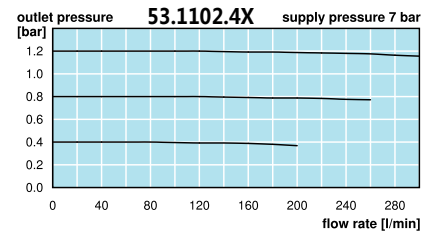
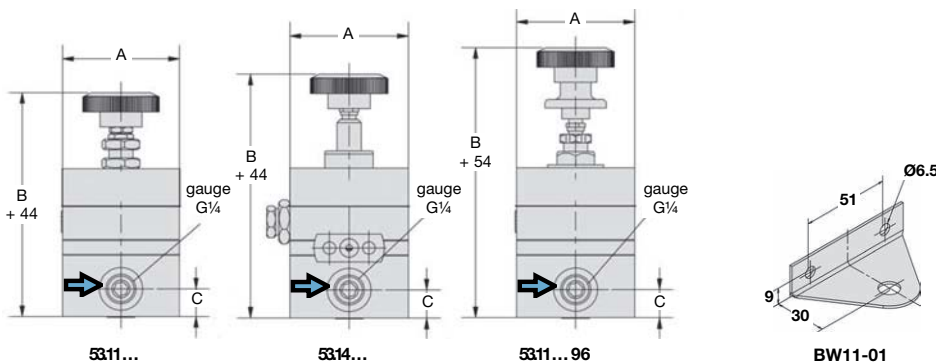
Special options, add the appropriate letter

tamper-proof cap aluminium, adjustment by screwdriver, total height 109 mm 53.1.....T

pressure gauge Ø 50 mm, 0...*2 bar, G $\frac{1}{4}$ MA5002-...*2
mounting bracket made of steel, mounting nut at the device BW11-01



cross section



*1 at 7 bar supply pressure and 1.4 bar outlet pressure
*2 02 = 0...2.5 bar, 04 = 0...4 bar, 10 = 0...10 bar



Order example:
53.1102.4X

China website: www.duray-control.cn