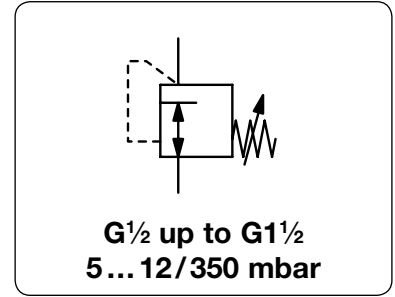


Low Pressure Regulator, Supply Pressure max. 4 bar

RGB5

Description	Highly sensitive low pressure regulator which can also be used as volume booster. With inlet pressure compensation for high precision regulation, high flow and safety diaphragm for added security. Zero shut-off prevents outlet pressure from increasing.	
Media	compressed air or non-corrosive gases	
Supply pressure	max. 4 bar	
Air consumption	without constant bleed	
Adjustment	manual by turning the spindle under the cover of the spring cage	
Relieving function	non-relieving	
Accuracy	max. 20% pressure drop at full flow	
Gauge port	none as standard, optionally gauge port G $\frac{1}{4}$ on one side at G $\frac{1}{2}$ and G1, standardly G $\frac{1}{4}$ at G $\frac{1}{2}$	
Mounting position	any	
Temperature range	-15 °C to 60 °C / 5 °F to 140 °F	
Material	Body: aluminium	Inner valve: aluminium and plastic
	Elastomer: NBR/Buna-N	



Dimensions			Nominal size	K _v value	Flow rate		Connection thread	Pressure range	Order number
A	B	C	DN	(m ³ /h)	m ³ /h* ¹	l/min* ¹	G	mbar	

Low pressure regulator									supply pressure max. 4 bar, non-relieving	RGB5																	
132	174	24	15	0.62	42	700	G $\frac{1}{2}$	5 ... 12	10 ... 30	25 ... 45	40 ... 60	55 ... 75	70 ... 90	85 ... 105	100 ... 160	150 ... 230	220 ... 350	RGB5-04A	RGB5-04C	RGB5-04D	RGB5-04E	RGB5-04F	RGB5-04G	RGB5-04H	RGB5-04I	RGB5-04K	RGB5-04L
190	230	33	25	2.5	168	2800	G1	5 ... 12	10 ... 30	25 ... 45	40 ... 60	55 ... 75	70 ... 90	85 ... 105	100 ... 160	150 ... 230	220 ... 350	RGB5-08A	RGB5-08C	RGB5-08D	RGB5-08E	RGB5-08F	RGB5-08G	RGB5-08H	RGB5-08I	RGB5-08K	RGB5-08L
190	265	55	40	5	336	5600	G1 $\frac{1}{2}$	5 ... 12	10 ... 30	25 ... 45	40 ... 60	55 ... 75	70 ... 90	85 ... 105	100 ... 160	150 ... 230	220 ... 350	RGB5-12A	RGB5-12C	RGB5-12D	RGB5-12E	RGB5-12F	RGB5-12G	RGB5-12H	RGB5-12I	RGB5-12K	RGB5-12L

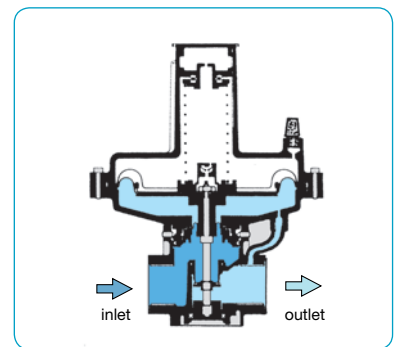
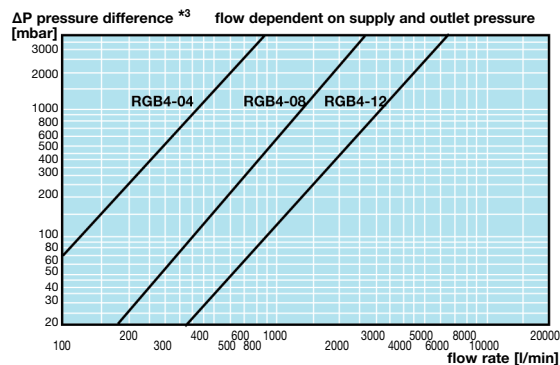
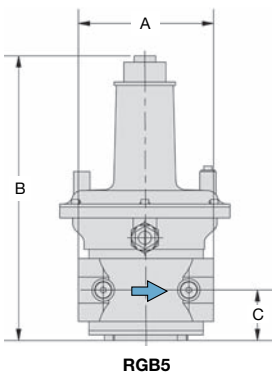


Special options, add the appropriate letter

connection thread G $\frac{1}{4}$ for pressure gauge for G $\frac{1}{2}$ and G1 RGB5-...M

Accessories, enclosed

pressure gauge Ø 63 mm, 0...*² mbar, G $\frac{1}{4}$ MA6302-.*²



*¹ at 4 bar supply pressure and 100 mbar outlet pressure *³ ΔP = P₁ - P₂ difference between supply and outlet pressure
*² B6 = 0...60 mbar, C2 = 0...160 mbar, C3 = 0...250 mbar, C4 = 0...400 mbar



Order example:
RGB5-04A
China website: www.duray-control.cn