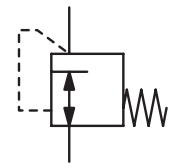


# Low Pressure Regulator with Factory-Set Outlet Pressure / Volume Booster R02

<b>Description</b>	Low pressure regulator with factory-set outlet pressure of 50 mbar and an integrated safety valve, thus not for gas pressure regulation in closed rooms. Volume booster function possible, except on R02-415.	
<b>Media</b>	compressed air, propane, butane or other non-corrosive gases	
<b>Supply pressure</b>	max. 16 bar at R02-415/-405/-406, max. 2.5 bar at R02-319/-407/-604 /-641	
<b>Accuracy</b>	at min. supply pressure and flow: < 5% FS pressure deviation at max. supply pressure and flow: < 15% FS pressure deviation at max. supply pressure without flow: < 25% FS pressure deviation	
<b>Air consumption</b>	without constant bleed	
<b>Relieving function</b>	non-relieving	
<b>Gauge port</b>	G $\frac{1}{4}$ on one side of the body, except on R02-415/-319	
<b>Mounting position</b>	any	
<b>Temperature range</b>	-20 °C to 60 °C / -4 °F to 140 °F	
<b>Material</b>	Body: zinc die-cast, chrome-plated	Inner valve: brass
	Elastomer: NBR/Buna-N	



G $\frac{1}{4}$  and G $\frac{1}{2}$   
50 mbar

Dimensions			Flow rate		Supply pressure	Connection	Outlet pressure	Order number
A	B	ØT	m $^3$ /h	l/min	max. bar	G	mbar	
mm	mm	mm						

Low pressure regulator			supply pressure max. 2.5 /16 bar, non-relieving, 50 mbar factory-set		R02			
100	44	86	1.2	20	16	G $\frac{1}{4}$	50	R02-415
138	92	118	3.0	50	2.5	G $\frac{1}{2}$	50	R02-604
138	92	118	4.8	80	2.5	G $\frac{1}{2}$	50	R02-407
138	117	118	9.6	160	2.5	G $\frac{1}{2}$	50	R02-641
160	133	145	19.8	330	2.5	G $\frac{1}{2}$	50	R02-319
138	92	118	3.0	50	16	G $\frac{1}{2}$	50	R02-405
138	92	118	4.8	80	16	G $\frac{1}{2}$	50	R02-406



R02-415



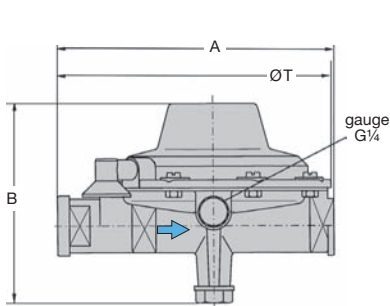
R02-319

## Accessory, enclosed

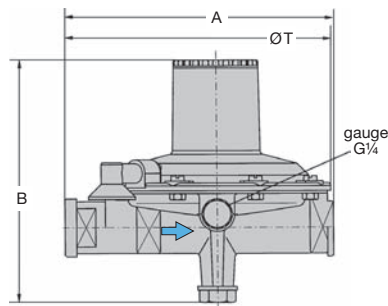
pressure gauge Ø 63 mm, 0...60 mbar, G $\frac{1}{4}$  not for R02-319/-415 MA6302-B6



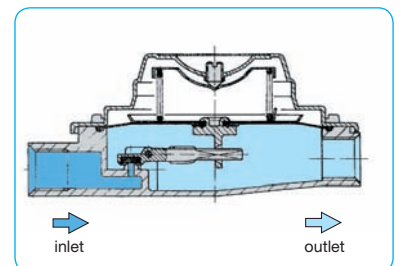
R02-310



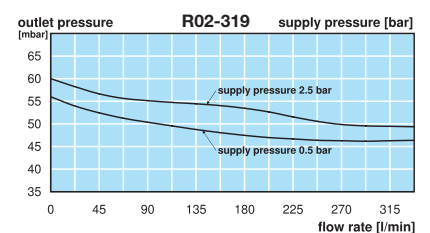
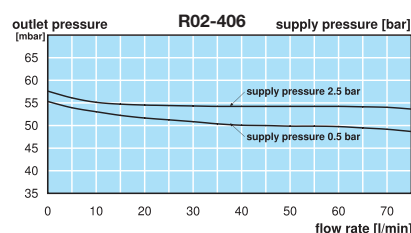
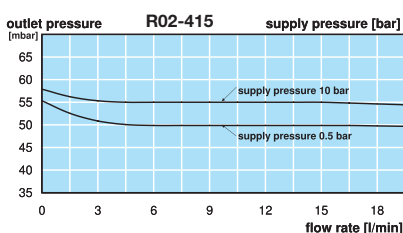
R02-405 / -406 / -604



R02-641



cross section



**Order example:**  
R02-415  
China website: www.duray-control.cn