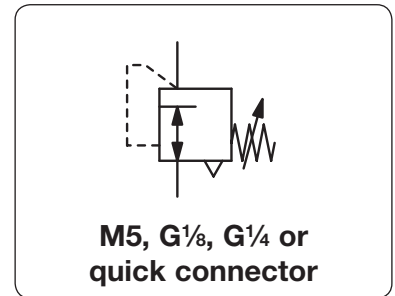


Modular Miniature Pressure Regulator

RM7

Description	Miniature pressure regulator with unique modular dovetail design allowing its individual use or assembly into a modular combination of pneumatic components through connector slides.	
Identification marking	The item no. includes a four-digit number starting with the input port and continuing counterclockwise. The digit corresponds with the type of connector slide, e.g. 1 for G $\frac{1}{8}$, 2 for G $\frac{1}{4}$ or B for blank.	
Pressure regulator RM7	Designed for precise regulation of pressure. The regulator possesses a 20 turn adjustment range and excellent repeatability. The valve seat is protected by a filter/strainer at the input port.	
Media	5 μ m filtered compressed air and non-corrosive gases	Supply pressure max. 10 bar
Accuracy	at supply pressure variation of 1 bar: at supply pressure removal/reapplication: at variations in temperature of 25 °C / K:	< 10 mbar pressure deviation < 10 mbar pressure deviation < 10 mbar pressure deviation
Air consumption	0.3 l/min at 7 bar supply pressure	Adjustment by knob
Relieving function	relieving	Mounting position any
Gauge port	G $\frac{1}{8}$ via threaded slide	



Dimensions			Flow rate	Supply pressure	Connection thread	Pressure range	Order number
A	B	C	l/min*1	max. bar	G	bar	
mm	mm	mm					

Precision regulator							with adjusting knob, relieving, gauge port, G $\frac{1}{8}$ on one side,	RM7
47	92	14	140	10	G $\frac{1}{8}$	0.01 ... 0.7 0.02 ... 2.1 0.03 ... 4.1 0.03 ... 7.0		RM7-010-111B RM7-030-111B RM7-060-111B RM7-100-111B
51	92	14	140	10	G $\frac{1}{4}$	0.01 ... 0.7 0.02 ... 2.1 0.03 ... 4.1 0.03 ... 7.0		RM7-010-212B RM7-030-212B RM7-060-212B RM7-100-212B



RM7-...-1B1B, $\frac{1}{8}$



RM7-...-2B2B, $\frac{1}{4}$

Special options, add the appropriate letter

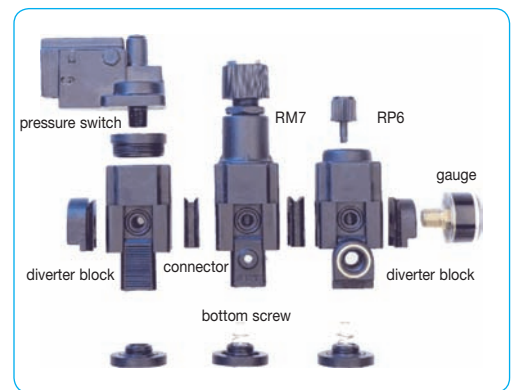
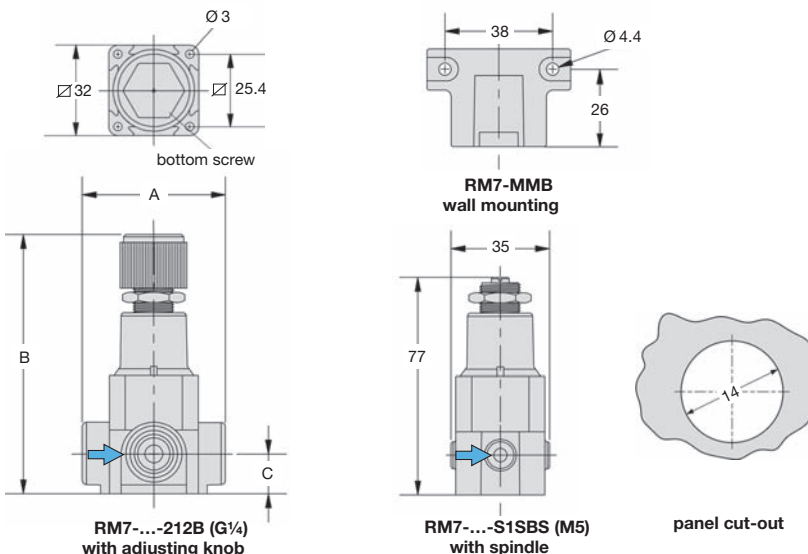
with spindle thread	M5	screwdriver adjustment, height 77 mm connection thread	R...-...-...S
	G $\frac{1}{8}$		R...-...-...S...
	G $\frac{1}{4}$		R...-...-...1...
quick connector	\varnothing 4	external diameter of hose	R...-...-...2...
	\varnothing 6		R...-...-...4...
	\varnothing 8		R...-...-...6...
breech plate connection plate		with permanent pressure supply w/o passage, modular combination of two devices	R...-...-...8...
			R...-...-...B...
			R...-...-...U...
			R...-...-...C...



RM7-...-SBSB with spindle, M5 RM7-...-4B4B w/quick connector \varnothing 4

Accessories, enclosed

pressure gauge wall mounting	\varnothing 23 mm, 0... ^{*2} bar, G $\frac{1}{8}$ at breech plate	MA2301-... ^{*2} RM7-MMB
-------------------------------------	--	-------------------------------------



example for assembly

*1 at 7 bar supply pressure, 6 bar outlet pressure and 1 bar pressure drop
*2 04 = 0...4 bar, 06 = 0...6 bar, 10 = 0...10 bar

