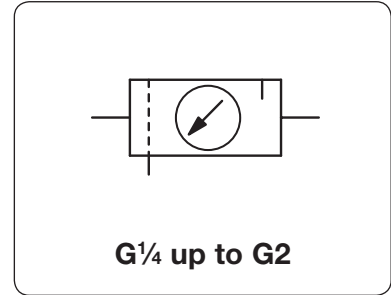


| | | |
|---------------------------|--|---|
| Description | FRL service unit of small size and with high flow. Solid design, proven in operation. | |
| Media | compressed air, non-corrosive gases or liquids | |
| Supply pressure | max. 11 bar for plastic bowl, max. 17 bar for metal bowl with sight glass | |
| Adjustment | by T-handle with locknut, by plastic knob with snap-lock on pilot regulator at size G2 | |
| Relieving function | relieving, optionally non-relieving Air consumption only for pilot pressure at size G2 | |
| Gauge port | G $\frac{1}{4}$ on both sides of the body, one screw plug supplied | |
| Filter element | 40 μ m, optionally 5 μ m, made of polypropylene | |
| Bowl | plastic version up to size G $\frac{1}{2}$, otherwise metal version with or without sight glass | |
| Drainage | manual drain as standard for max. 21 bar optionally internal automatic drain for max. 12 / 16 bar or external automatic drain for max. 18 bar | |
| Temperature range | 0 °C to 50 °C / 32 °F to 122 °F for plastic bowl or (semi)automatic drain version 0 °C to 70 °C / 32 °F to 158 °F for metal bowl with sight glass 0 °C to 80 °C / 32 °F to 176 °F for metal bowl without sight glass | |
| Material | Body: zinc die-cast Bowl: polyurethane, zinc die-cast or steel | Elastomer: NBR/Buna-N Inner valve: brass |



| Dimensions | | | Combination consisting of | Bowl design made of | Flow rate | | Connection thread G | Order number |
|------------|---|---|---------------------------|---------------------|-------------|---------|---------------------|--------------|
| A | B | C | | | m 3 /h*1 | l/min*1 | | |

| FRL unit, 3-part | | | | P $_1$: max. 11 / 17 bar, P $_2$: 0.3...9 bar, 40 μ m, manual drain, relieving, with pressure gauge | | | C630 | |
|------------------|-----|-----|---------------|---|------|-------|------------------|--------------|
| 222 | 194 | 137 | F602 +R119 | plastic | 66 | 1100 | G $\frac{1}{4}$ | C630-02FRL-A |
| | | | +L606 | metal/sight glass | | | | C630-02FRL-W |
| 222 | 194 | 137 | | plastic | 102 | 1700 | G $\frac{3}{8}$ | C630-03FRL-A |
| | | | | metal/sight glass | | | | C630-03FRL-W |
| 273 | 207 | 146 | | plastic | 138 | 2300 | G $\frac{1}{2}$ | C630-04FRL-A |
| | | | | metal/sight glass | | | | C630-04FRL-W |
| 400 | 267 | 197 | | metal/sight glass | 408 | 6800 | G $\frac{3}{4}$ | C630-06FRL-W |
| | | | | | 516 | 8600 | G1 | C630-08FRL-W |
| 419 | 286 | 206 | | metal/sight glass | 600 | 10000 | G1 $\frac{1}{4}$ | C630-10FRL-W |
| | | | | | 630 | 10500 | G1 $\frac{1}{2}$ | C630-12FRL-W |
| 485 | 425 | 356 | | metal/sight glass | 1590 | 26500 | G2 | C630-16FRL-W |



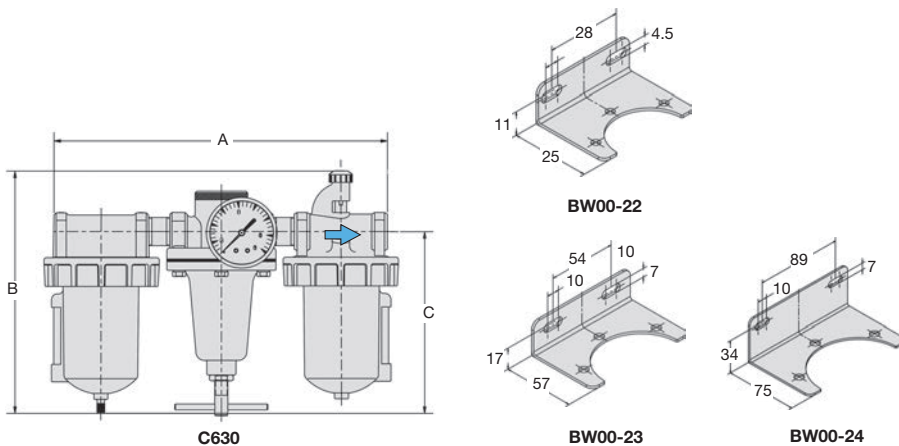
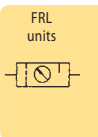
Special options, add the appropriate letter

| | | |
|-----------------------------|---|---------------------|
| 5 μ m filter element | | C630-0 G |
| NPT connection thread | | C630-0 N |
| 0.2... 4 bar pressure range | | C630-0 B |
| 0.5...17 bar pressure range | | C630-0 D |
| semiautomatic drain | RK500SY, max. 12 bar | C630-0 M |
| automatic drain | SA605MD, max. 12 bar | C630-0 R |
| flange connection | see chapter for stainless steel devices / flanges | C630-0 F. |



Accessories, enclosed

| | | | |
|------------------|---------------|---|----------------|
| mounting bracket | made of steel | for G $\frac{1}{4}$ and G $\frac{3}{8}$ | BW00-22 |
| | | for G $\frac{1}{2}$ | BW00-23 |
| | | for G $\frac{3}{4}$ to G1 $\frac{1}{2}$ | BW00-24 |



*1 at 8 bar supply pressure, 6 bar outlet pressure and 1 bar pressure drop



Order example:
C630-02FRL-A
China website: www.duray-control.cn