

# Precision Needle Valve

VR5 / VR6

Restrictors



<b>Description</b>	The modular, compact micro needle valve is for fine-flow adjustment of gases and liquids. It consists of an inner valve and body with straight or angle connector. The valve is free from oil and grease.	
<b>Media</b>	5 µm filtered compressed air, non-corrosive gases or liquids	
<b>Operating pressure</b>	vacuum up to positive pressure of max. 20 bar	
<b>Adjustment</b>	The micro valve has a 15-turn spindle to fully open from a closed condition. It operates with virtually no hysteresis and closes clockwise or optionally counterclockwise. The valve needle is non-rotating and thus provides a stable adjustment.	
<b>Panel mounting</b>	borehole 15 mm,	mounting through two screws M4x10
<b>Temperature range</b>	-20 °C to 150 °C / - 4 °F to 302 °F for FKM, -40 °C to 90 °C / -40 °F to 194 °F for EPDM	-30 °C to 90 °C / -22 °F to 194 °F for NBR/Buna-N,
<b>Material</b>	Body: anodized aluminium, optionally SST Inner valve: brass, optionally stainless steel	Elastomer: NBR/Buna-N Knob: aluminium and plastic



Ø 0... 1 / 6.5 mm  
compressed air or liquids

Dimensions			Needle size mm	K <sub>v</sub> value (m³/h)	Flow rate		Connection thread G	Order number
A	B	C			Water l/min*2	Air l/min*1		
mm	mm	mm	mm	(m³/h)	l/min*2	l/min*1	G	

## Precision needle valve

with straight pass, right-hand closing, with knob, aluminium/brass/FKM, supply: max. 20 bar

VR

54	64	10	1.0	0.0007	0... 0.01	0... 0.3	G¼	VR6-02A
			1.5	0.005	0... 0.10	0... 2.5		VR6-02B
			2.0	0.01	0... 0.15	0... 7		VR6-02C
			2.5	0.04	0... 0.6	0... 17		VR6-02D
			3.0	0.10	0... 2.3	0... 60		VR6-02E
62	80	17,5	4.0	0.58	0... 8	0... 250	G½	VR6-04A
			6.5	1.00	0... 16	0... 425		VR6-04B



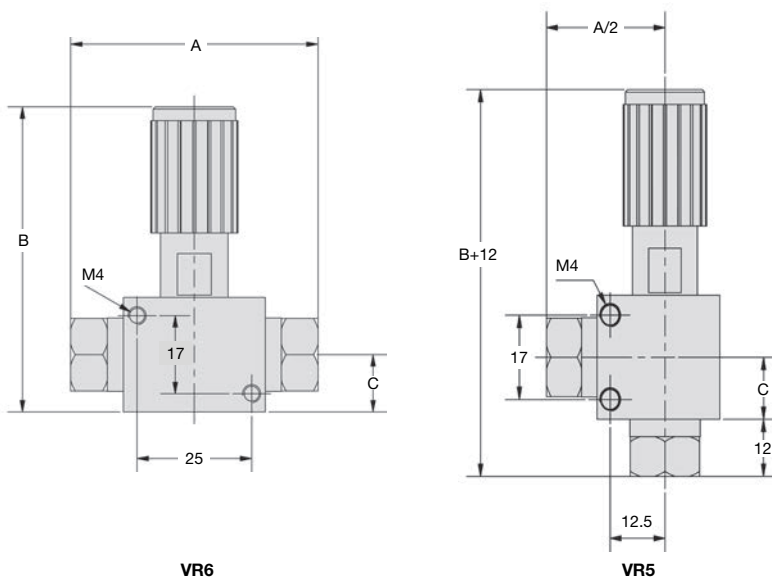
VR6  
straight-way valve

## Special options, add the appropriate letter

<b>angle valve</b>	corner version	for G¼	VR5-02.
<b>left-hand closing</b>	closing counterclockwise	for G¼	VR.-02.L
<b>stainless steel body</b>	body and valve made of stainless steel 316	for G¼	VR.-02.S
<b>EPDM elastomer</b>	-40 °C to 90 °C / -40 °F to 194 °F, SST body only	for G¼	VR.-02.SE
<b>tamper-proof cap</b>	on valve with knob		VR.-02.T
<b>digital knob</b>	with 100 increments, left-hand closing	for G¼	VR.-02.R
<b>digital knob</b>	with 100 increments, left-hand closing	for G½	VR.-02.R
<b>hexagon socket screw</b>	and locknut		VR.-02.I

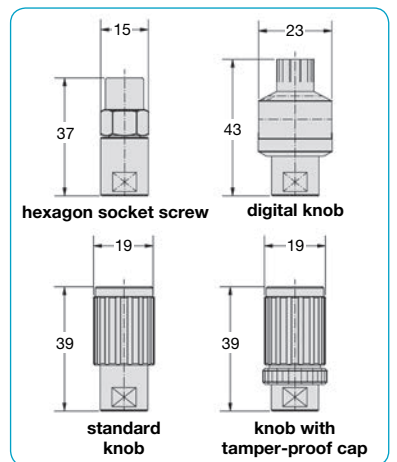


VR5  
angle valve

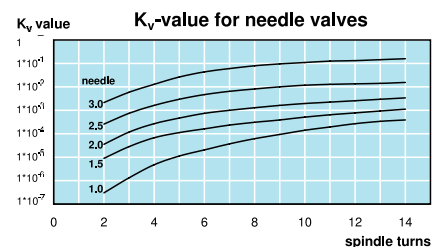


VR6

VR5



options



\*1 at 1 bar operating pressure and open outlet

\*2 at 1 bar pressure difference



Order example:  
VR6-02A

China website: www.duray-control.cn