

HVR2A24-HI

- Insulation Resistance up to 10Tohm
- Breakdown Voltage up to 3.5KV

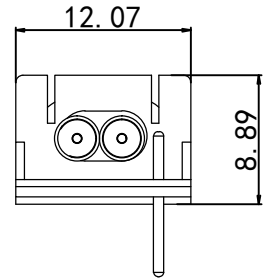
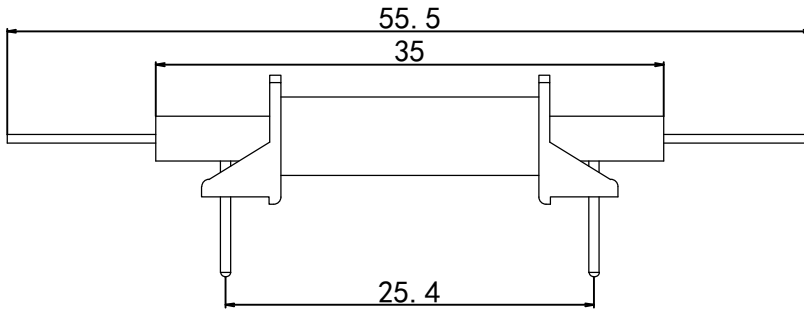
Misensor Tech (Shanghai) Co., Ltd

Add: No. 25 Hangming Road Hangtuo Town,
Pudong new district, Shanghai
TEL: 021- 60976200 FAX: 021-60976212
Http://www.Misensor.cn
E-mail: sales@misensing.com

[Outline Dimension]

Unit: mm

Scale: 1/1



Order Information

HVR2A24-HI

Coil Parameters		Relay Parameters	
1 Nominal coil voltage	24 VDC	1 Min Breakdown Voltage	3.5K VDC
2 Max Operating voltage	29 VDC	2 Dielectric Strength coil/contact	3.0K VDC
3 Max Pull-in voltage	18 VDC	3 Insulation Resistance coil/contact	1X10 ¹³ ohm(500V)
4 Min Drop-out voltage	2.0 VDC	4 Operate Time, incl. Bounce	1.5ms
5 Coil Resistance	1400 ohm	5 Reset Time	0.5ms
Contact Parameters		6 Capacitance Across Contacts	0.3pF
1 Max Contact Rating	100 W	7 Electrical Life	1X10 ⁷ (5Vdc, 10mA)
2 Max Switch Voltage	1.0KVDC	8 Storage Temperature	-35 ~+105°C
3 Max Switch Current	1.0 A	9 Operating Temperature	-20 ~+70 °C
4 Max Carrying Current	2.0 A	10 Soldering Temperature	5 sec. max 260°C
5 Min Breakdown Voltage	3.5K VDC		
6 Max Contact Resistance	150 mohm		

Version: 01	Designed by		TITLE High Insulation Reed Relay	
	Checked by			
	Approved by		P/N	Scale: 1:1
	Date	5th, Oct, 2010	HVR2A24-HI	Page: 1/1