

Honeywell



R7428A1006

Constant RH-Temp Controller for AHU application!!

Innovation

R7426C+D



- Temp or RH control only
- Small LCD
- Non-user-friendly interface
- Higher cost

R7428A



- Constant RH-Temp control
- Large LCD screen with backlight
- Easy installation & commission
- Reasonable cost

XL20



- Need tool for programming
- Cost ineffective
- LCD without backlight

Integrated functionality + simplified design = R7428A1006



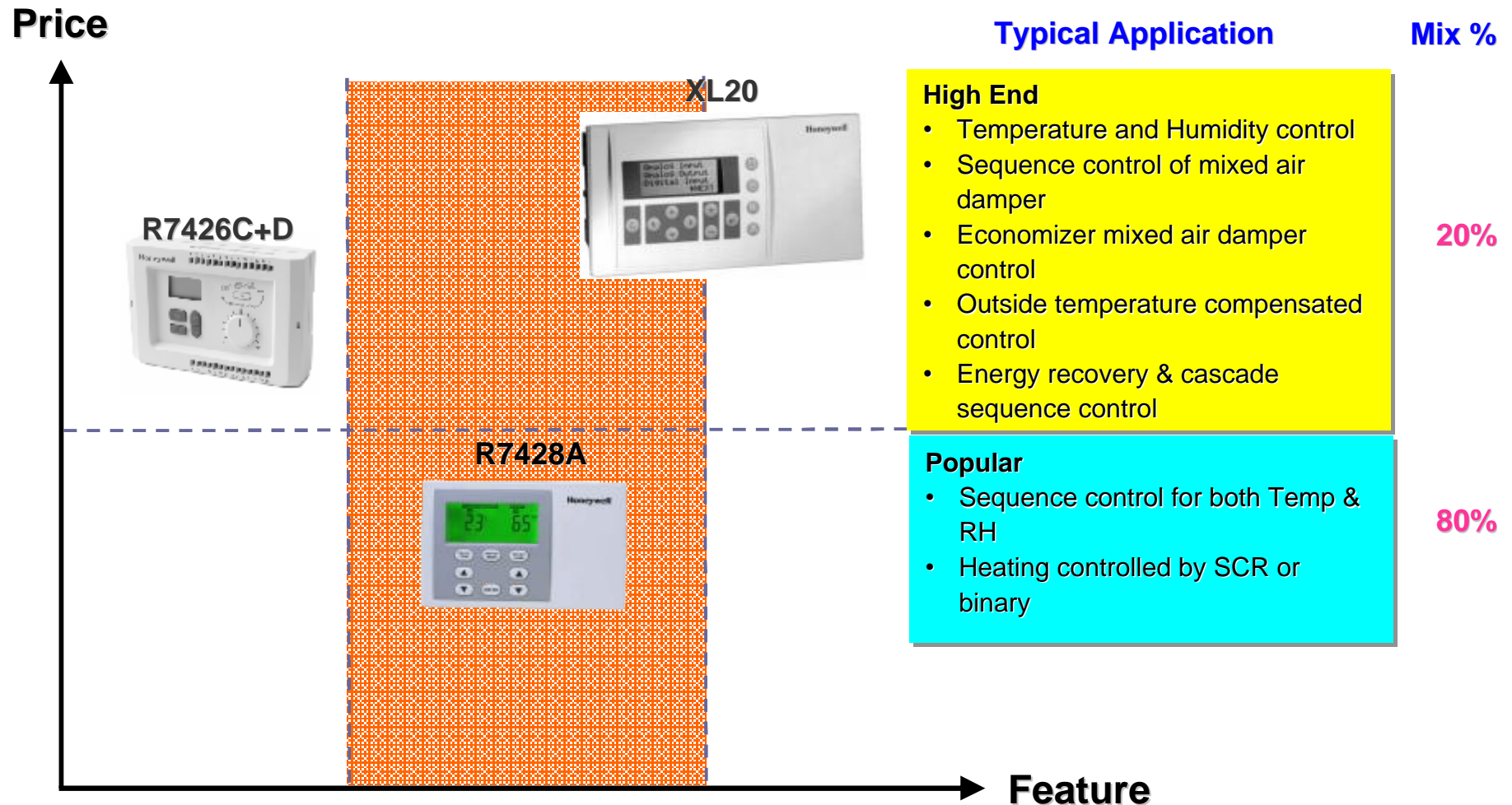
Apr. 2005

R7428A1006

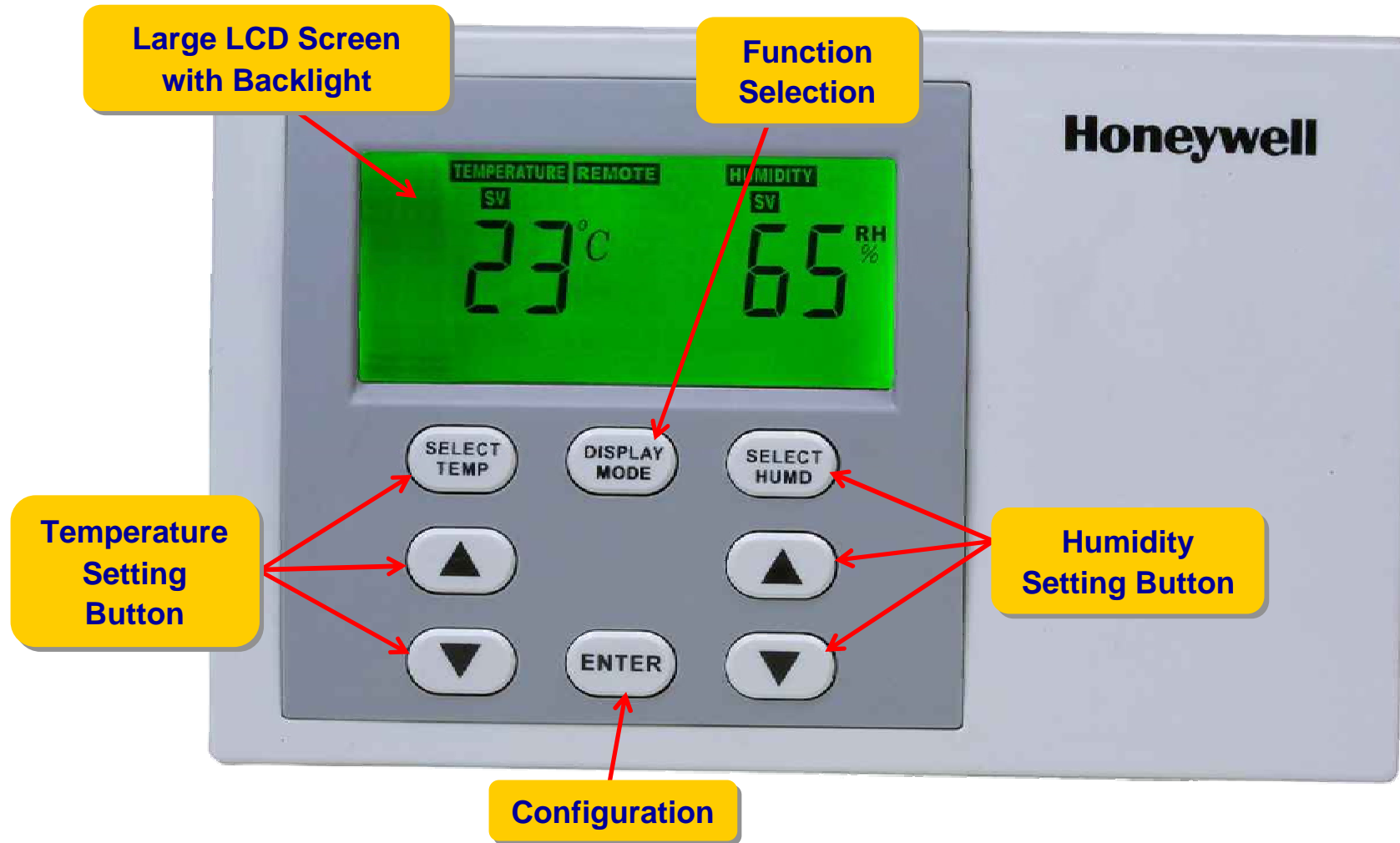
Honeywell

22-2
Honeywell Confidential

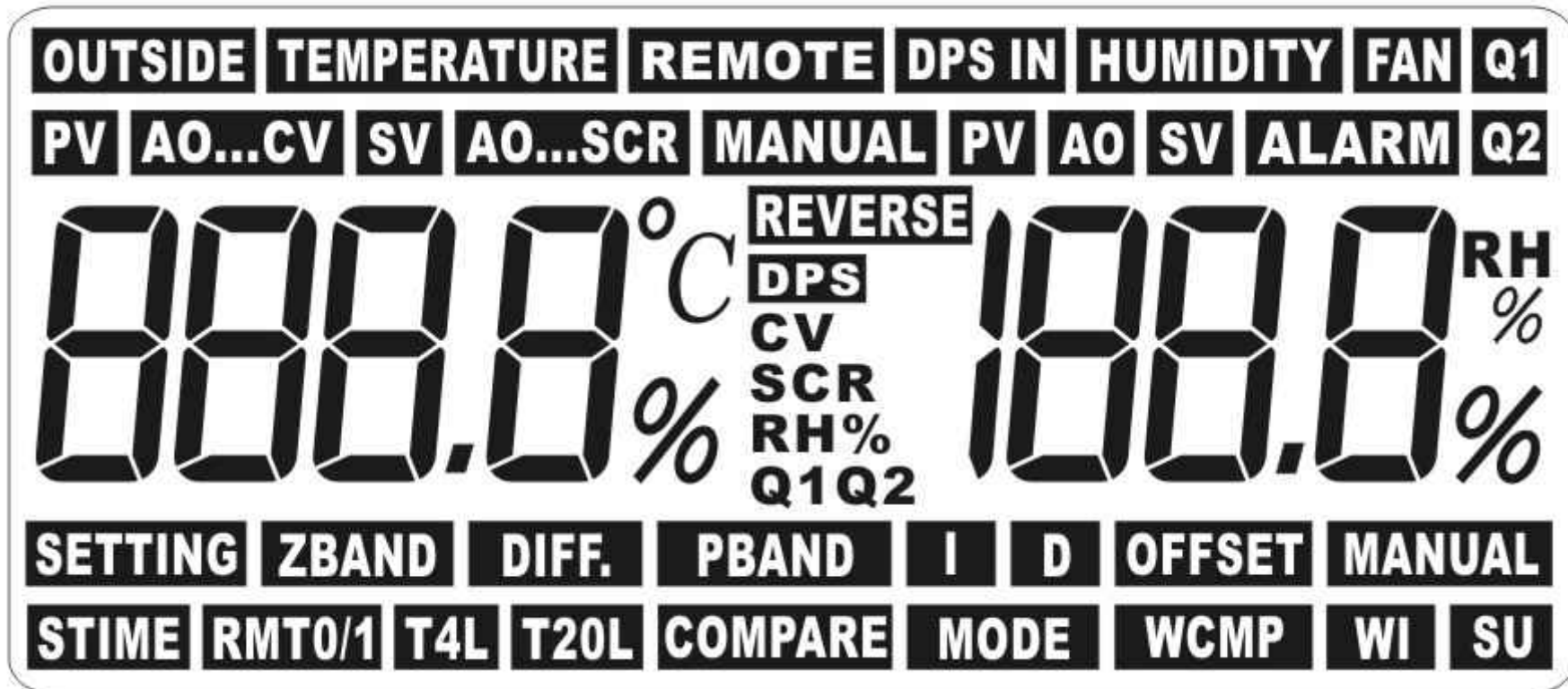
Product Strategy



User Interface



User Interface



Key Features

- Cost effective solution for constant Temperature & Relative Humidity control.
- Large LCD screen with back-light provides user-friendly MMI.
- Standard DIN rail or control panel mounting compatible.
- Wide working range: 0~50°C, 5~95%,
setting range: 0~100°C, 40~99%.
- High resolution provides accurate control: 0.1°C for Temp & 0.1% for RH.
- Temp & RH value setting, provides direct digital control.
- Preserve setting value while power failure.
- PID (Proportional Integral Deviation) control.
- Power Rating: AC 24V, 50~60Hz.



Key Features

- Sensor failure indication.
- Selectable direct/reverse acting analog output.
- Protection Standard: IP30 (Control Panel)
IP55 (Rail Mounting)
- Meet CE requirement.
- Pre-configured application, no programming needed.
- I/O: AO x 3, AI x 3 (4~20mA or 0~10V/NTC20K selectable),
DO x 3, DI x 3.
- Provide dual display for both Temp & RH.

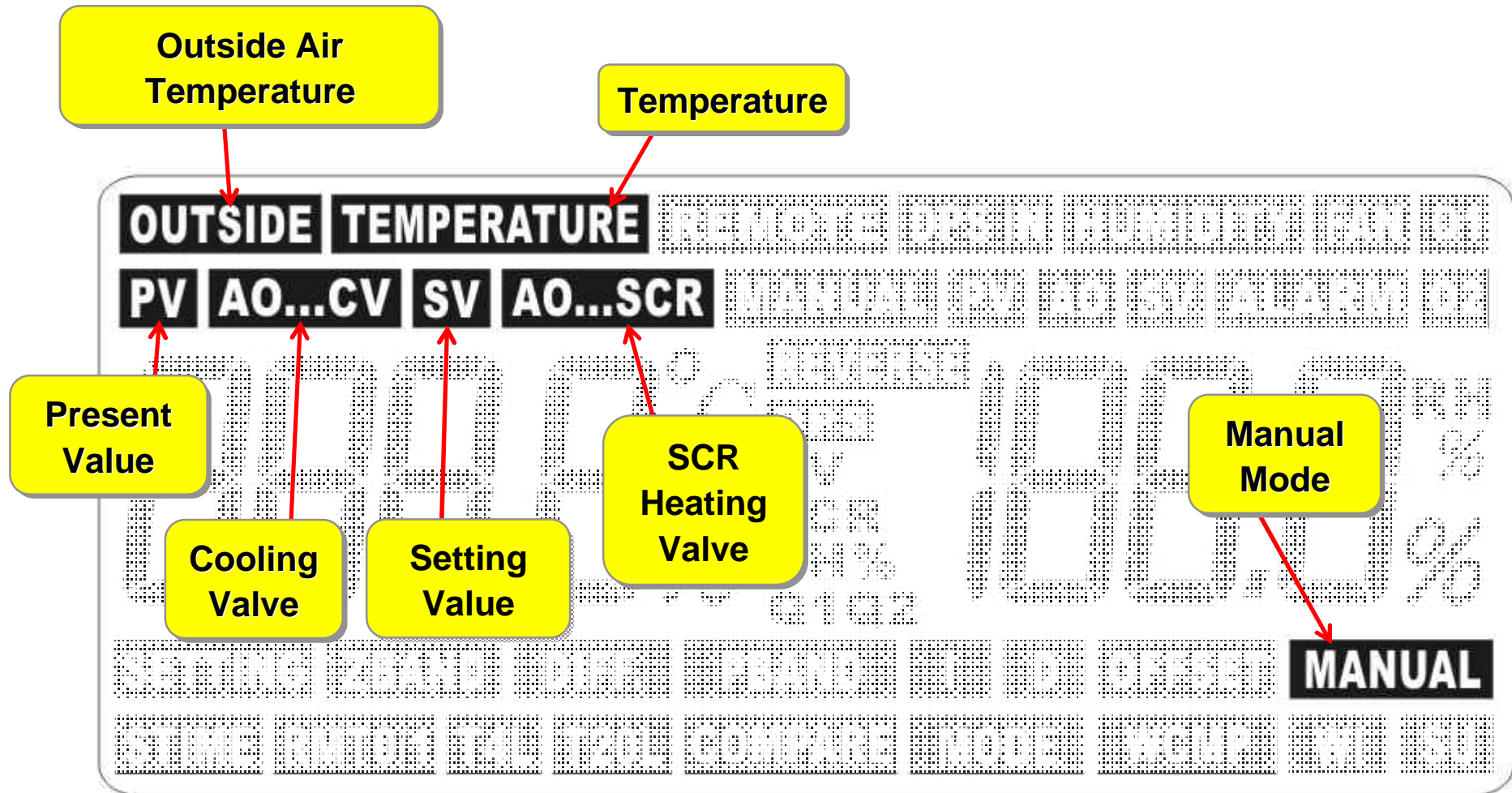


Applications

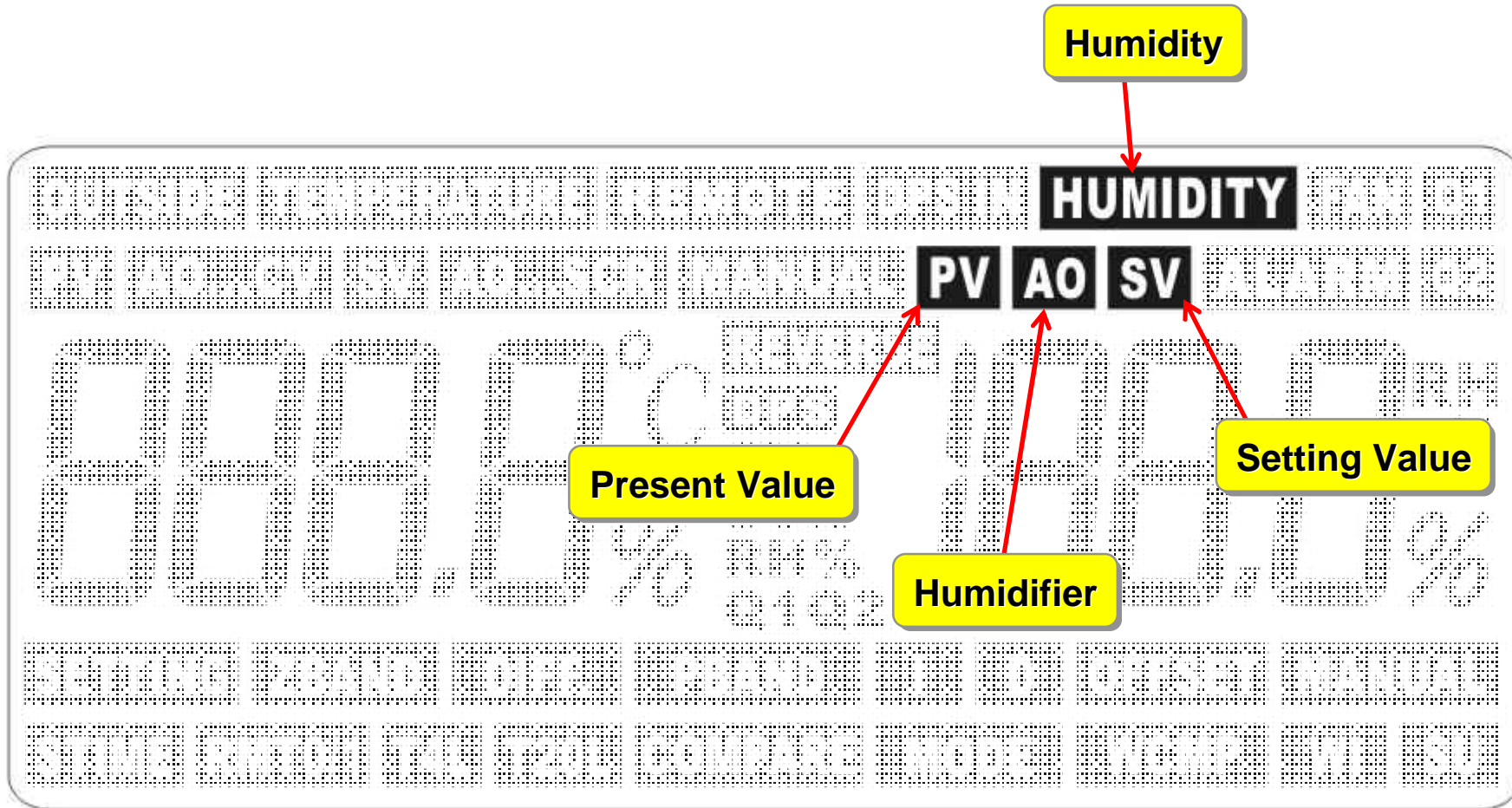
- Targeting on AHU applications which require accurate RH & Temp control, includes:
 - Commercial: Office Building, Hospital, Museum.
 - Industry: Pharmaceutical Factory.
 - Hi-Tech: Semiconductor, TFT LCD, Chip, DRAM.



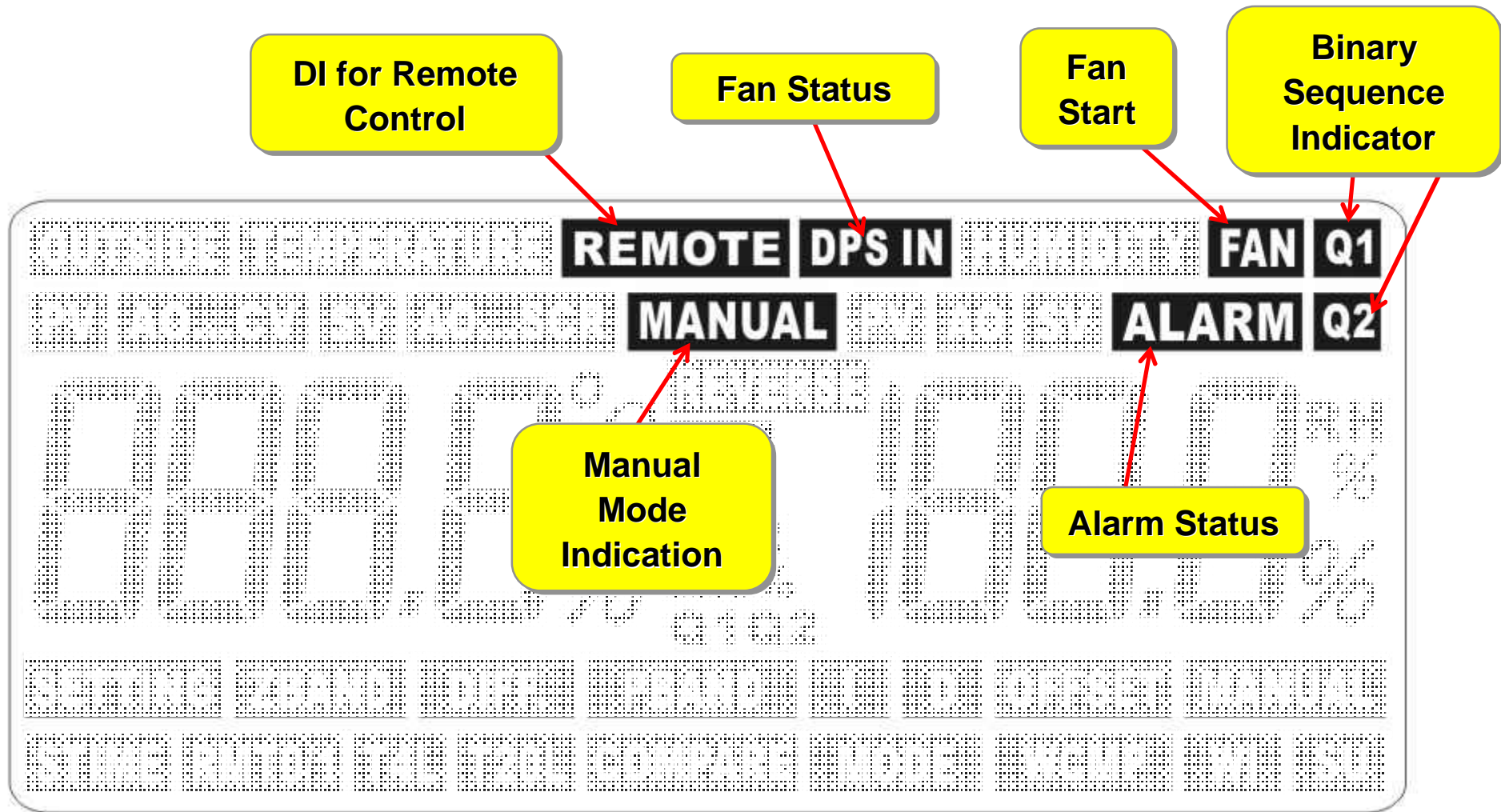
LCD Screen-Temperature Area



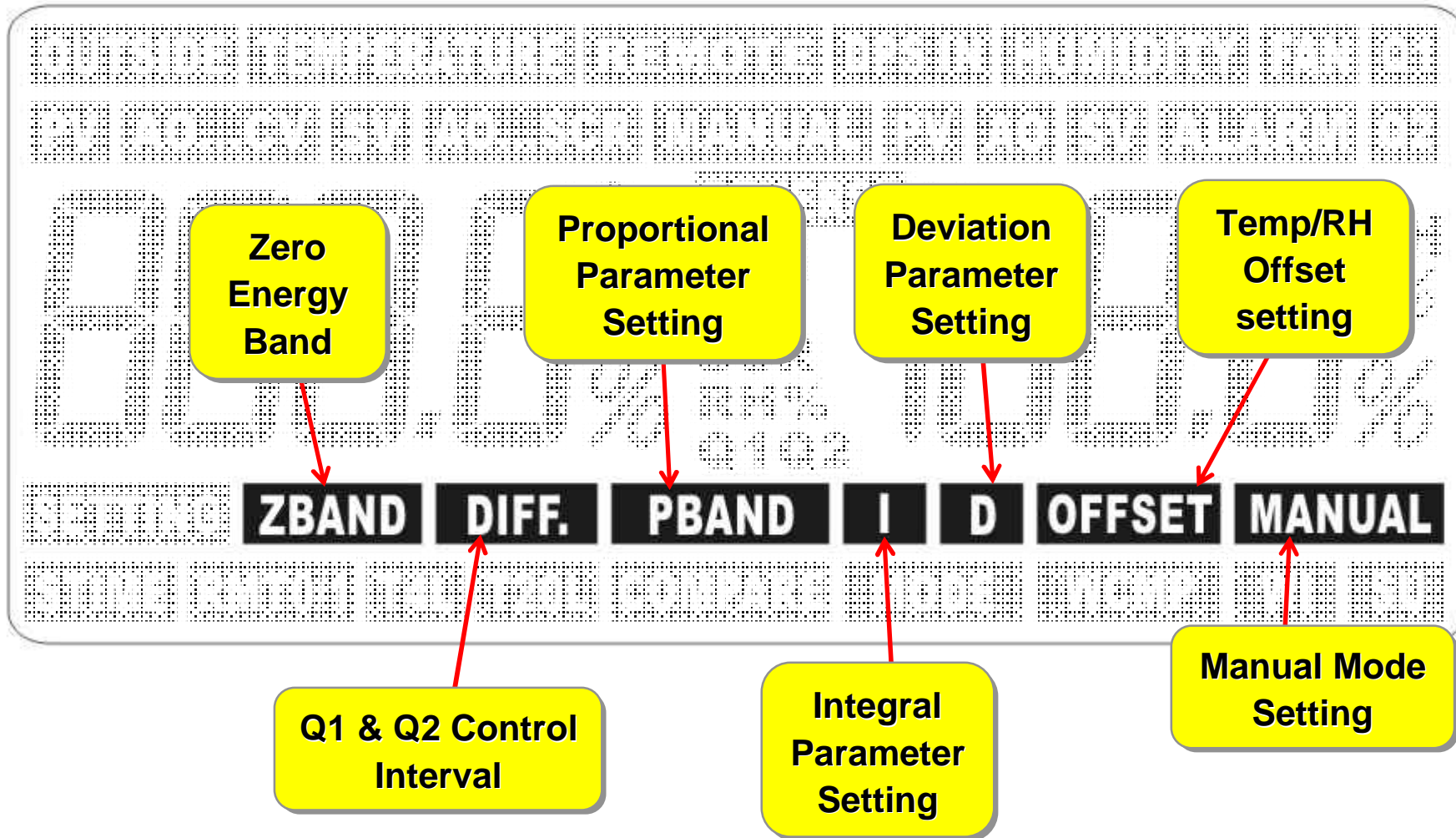
LCD Screen-Humidity Area



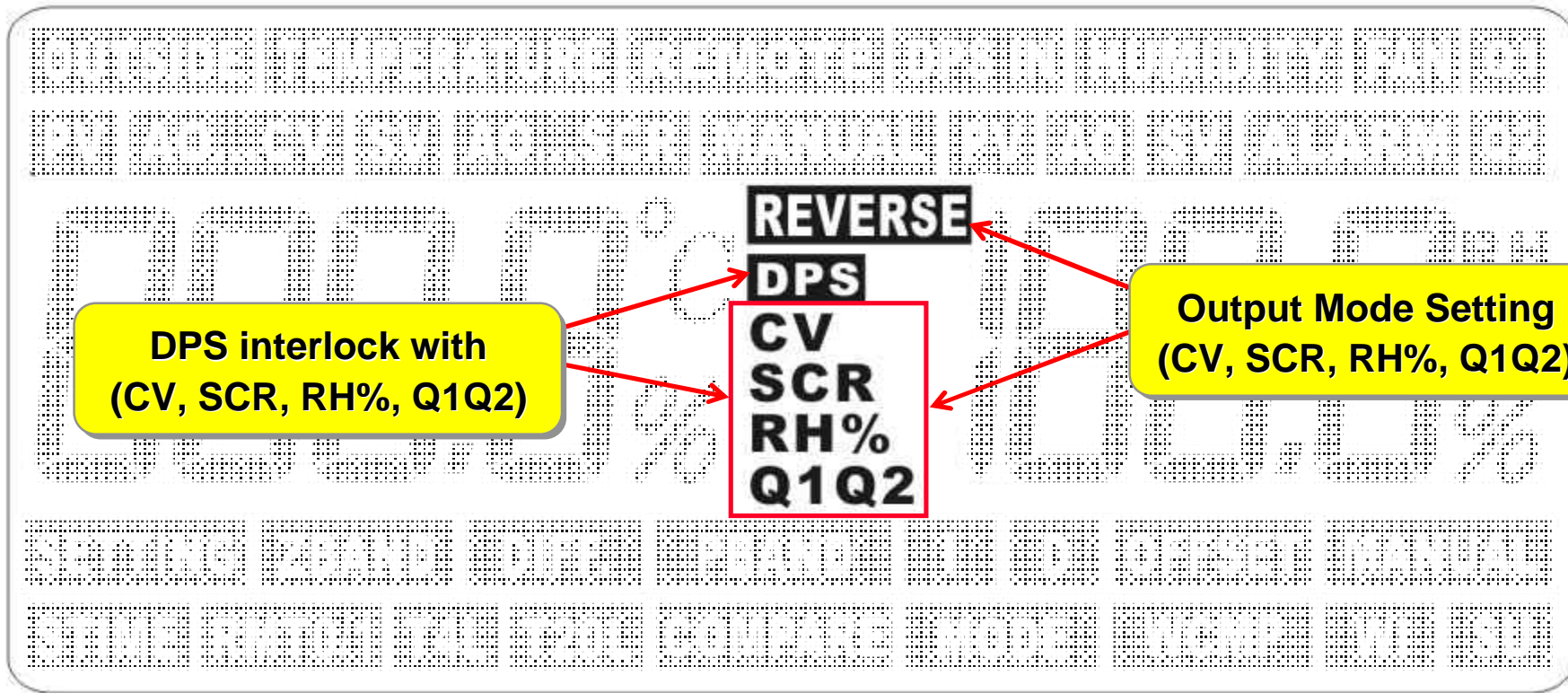
LCD Screen-Status Area



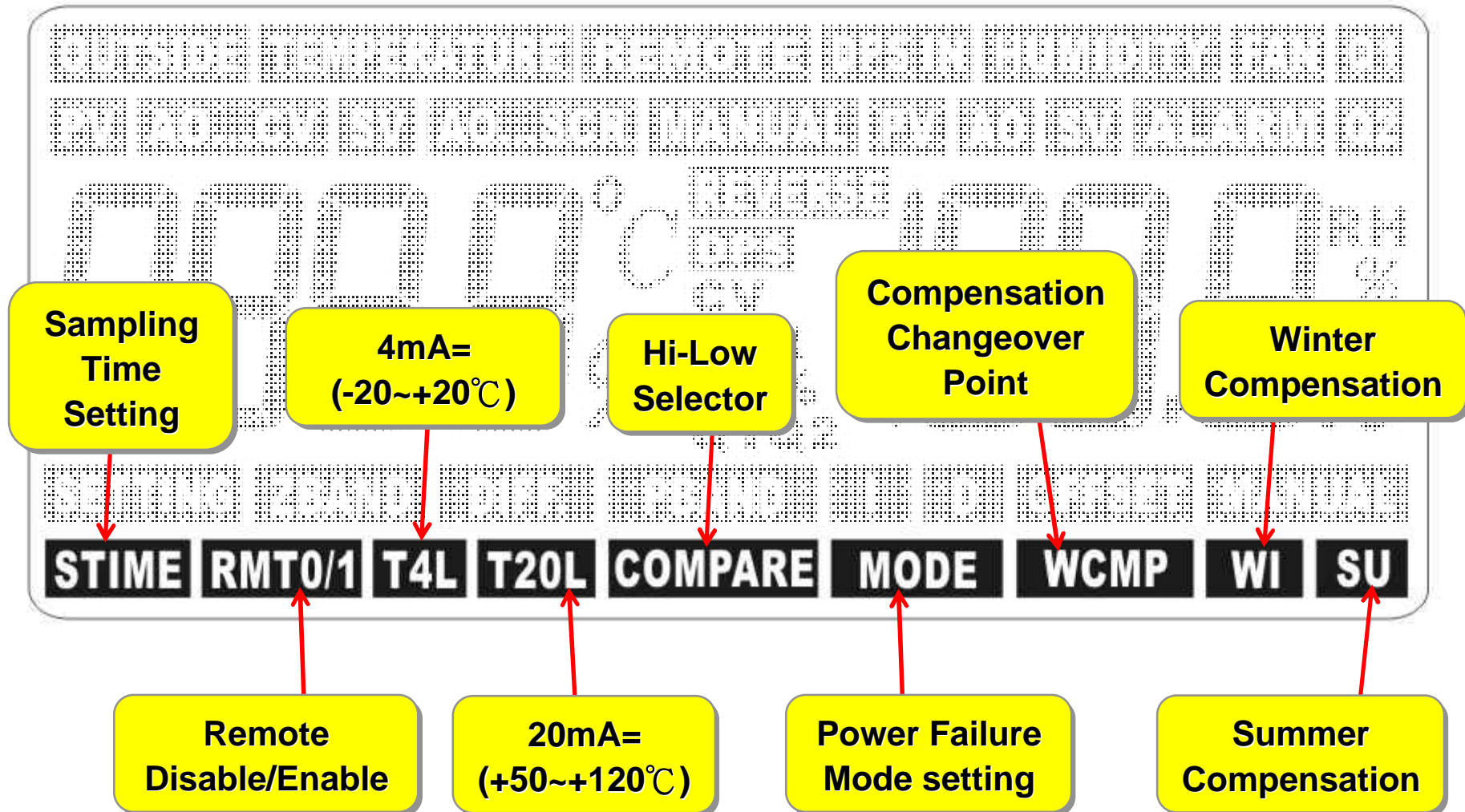
LCD Screen-Setting Status Area-1



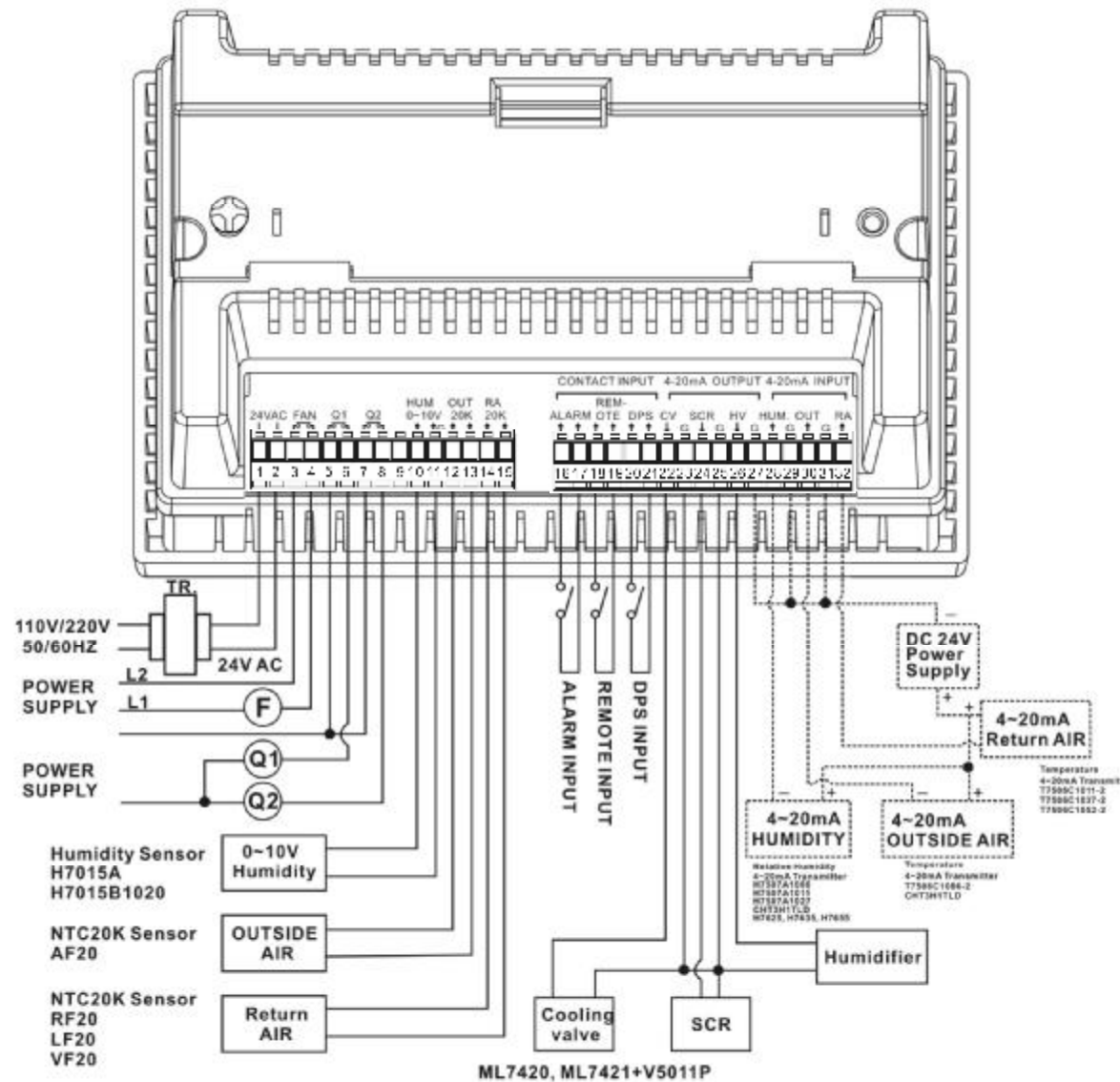
LCD Screen-Setting Status Area-2



LCD Screen-Setting Status Area-3



Terminal



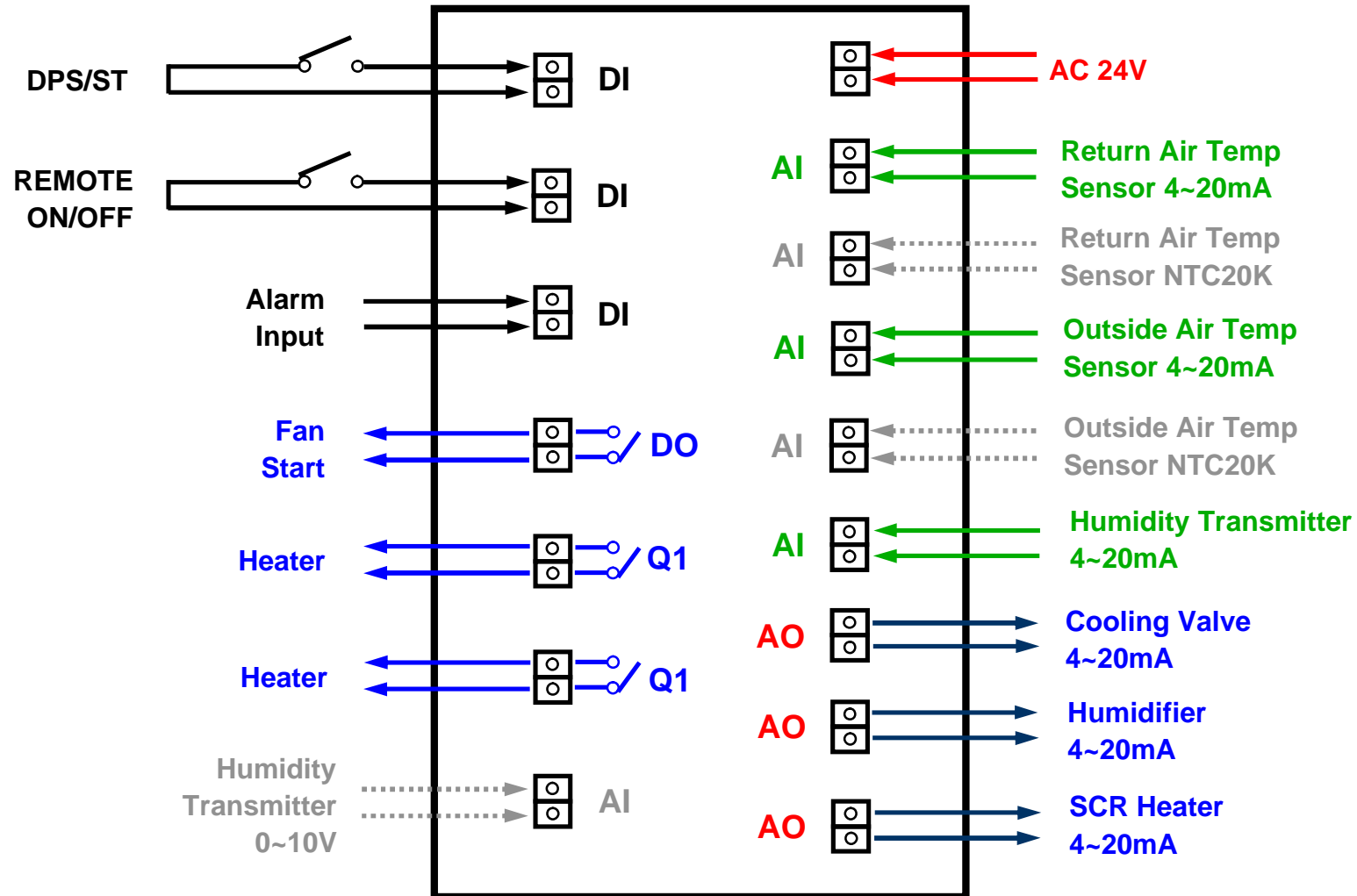
Apr. 2005

R7428A1006

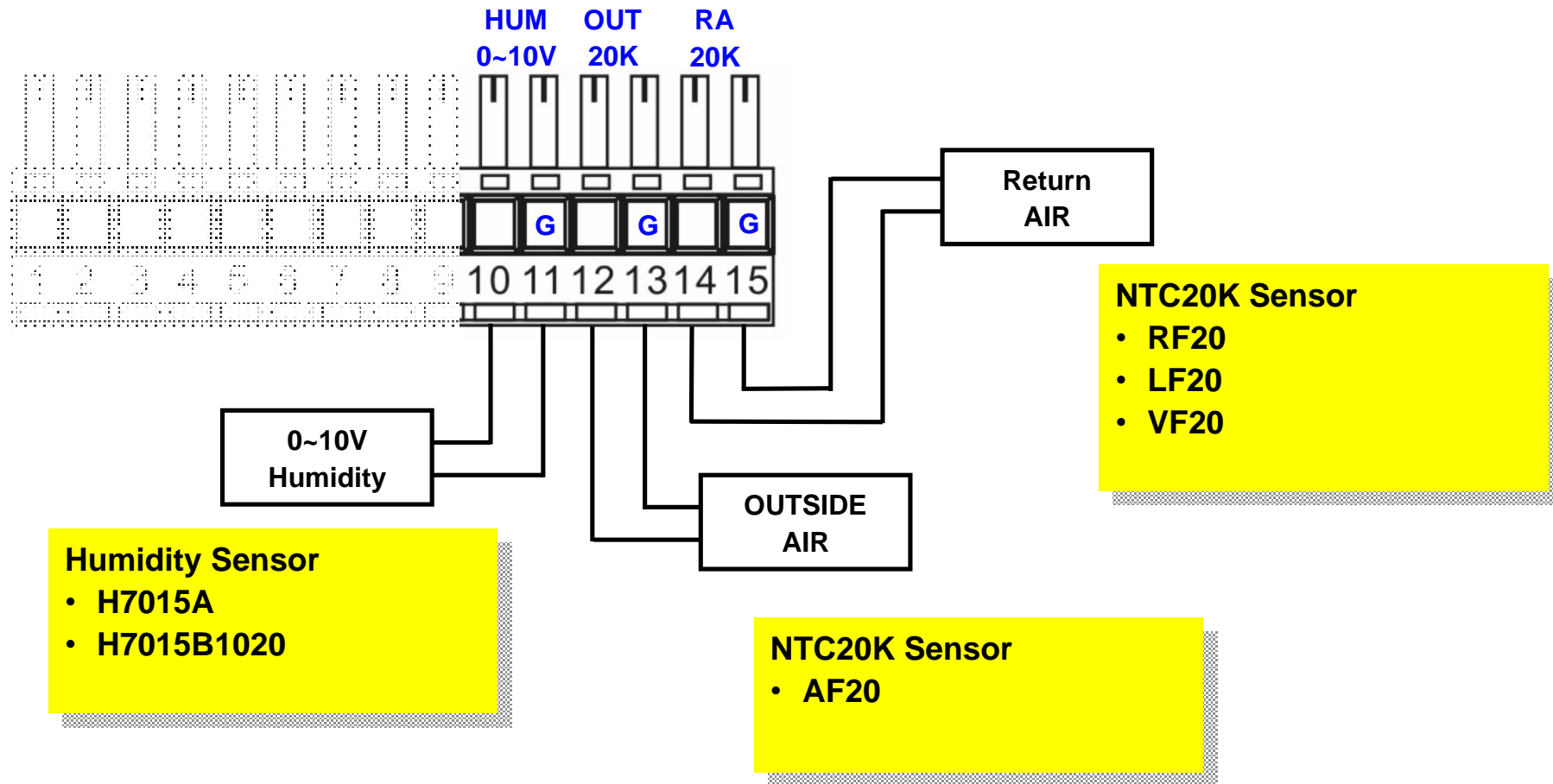
Honeywell

22-15
Honeywell Confidential

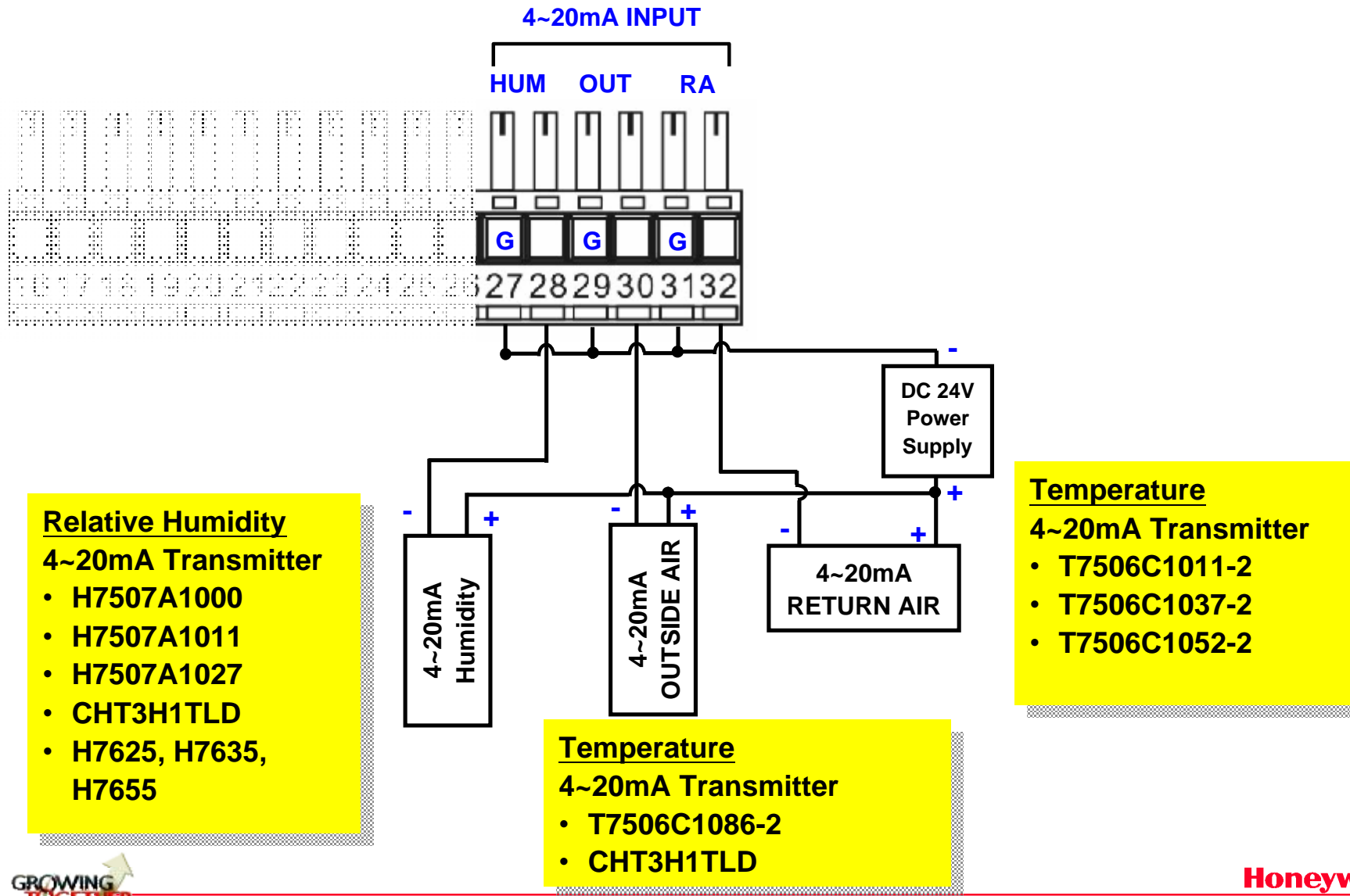
Terminal Layout



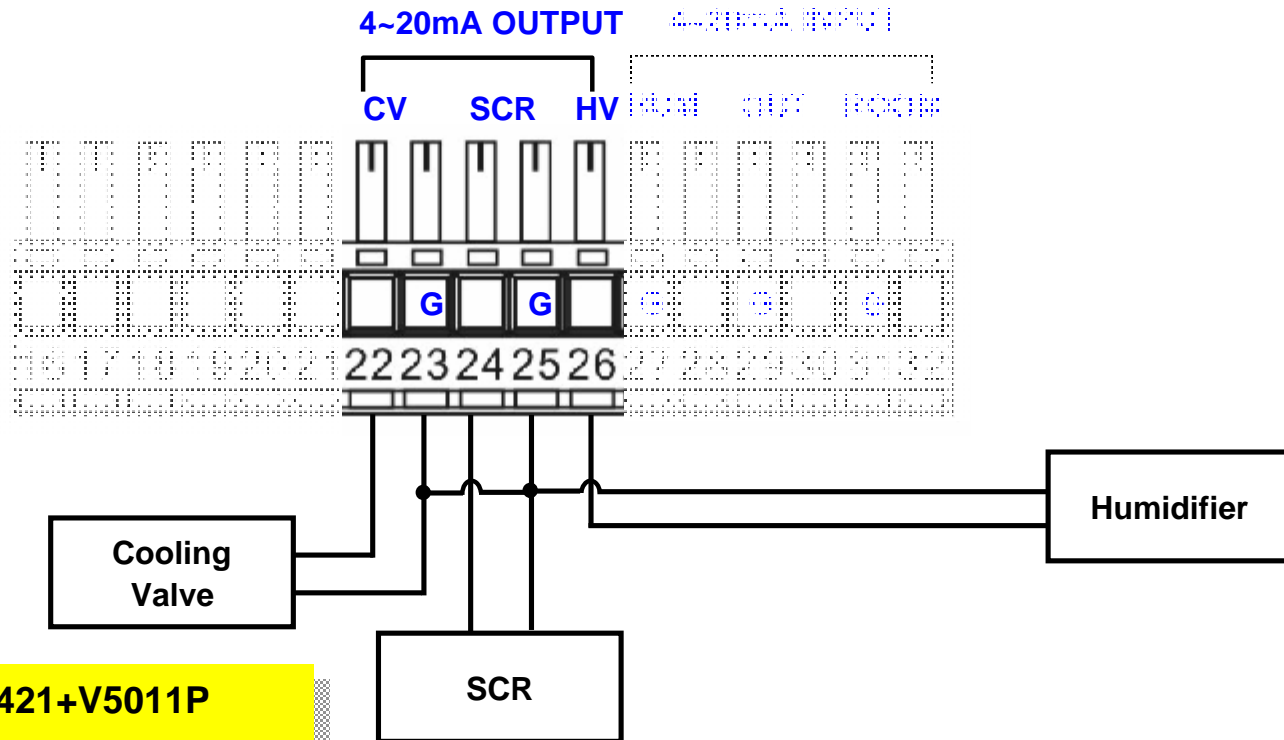
Terminal-A1



Terminal-A1

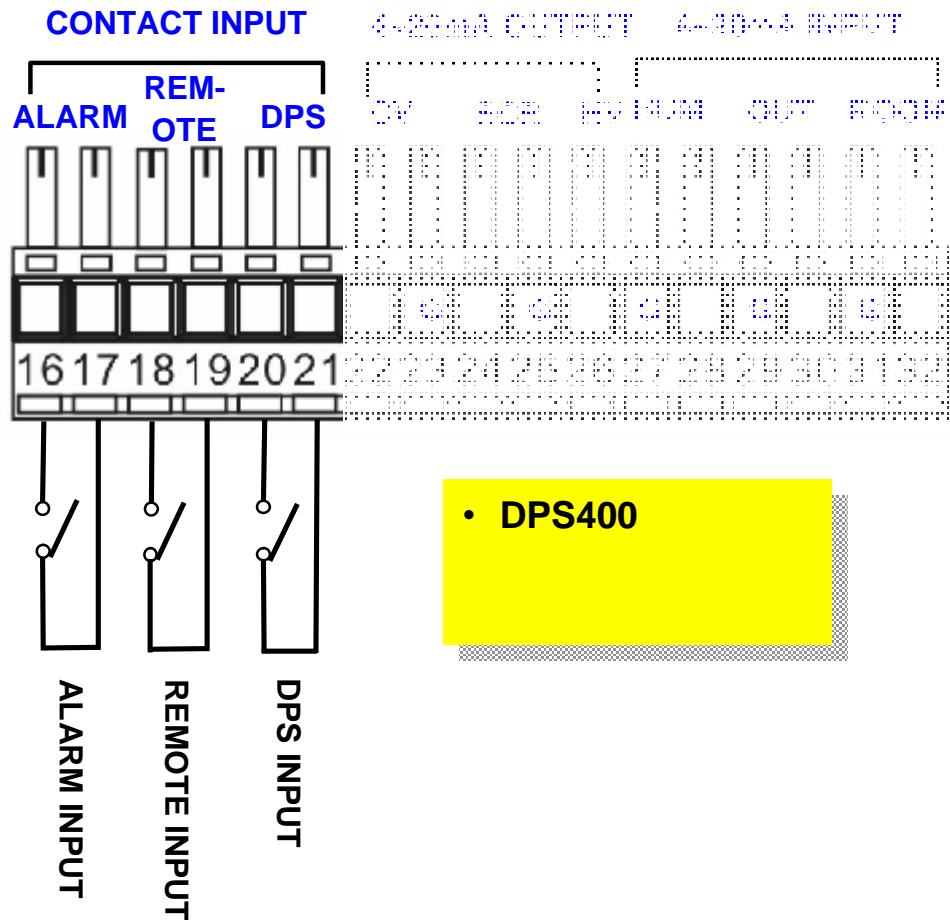


Terminal-AO



- ML7420, ML7421+V5011P

Terminal-DI

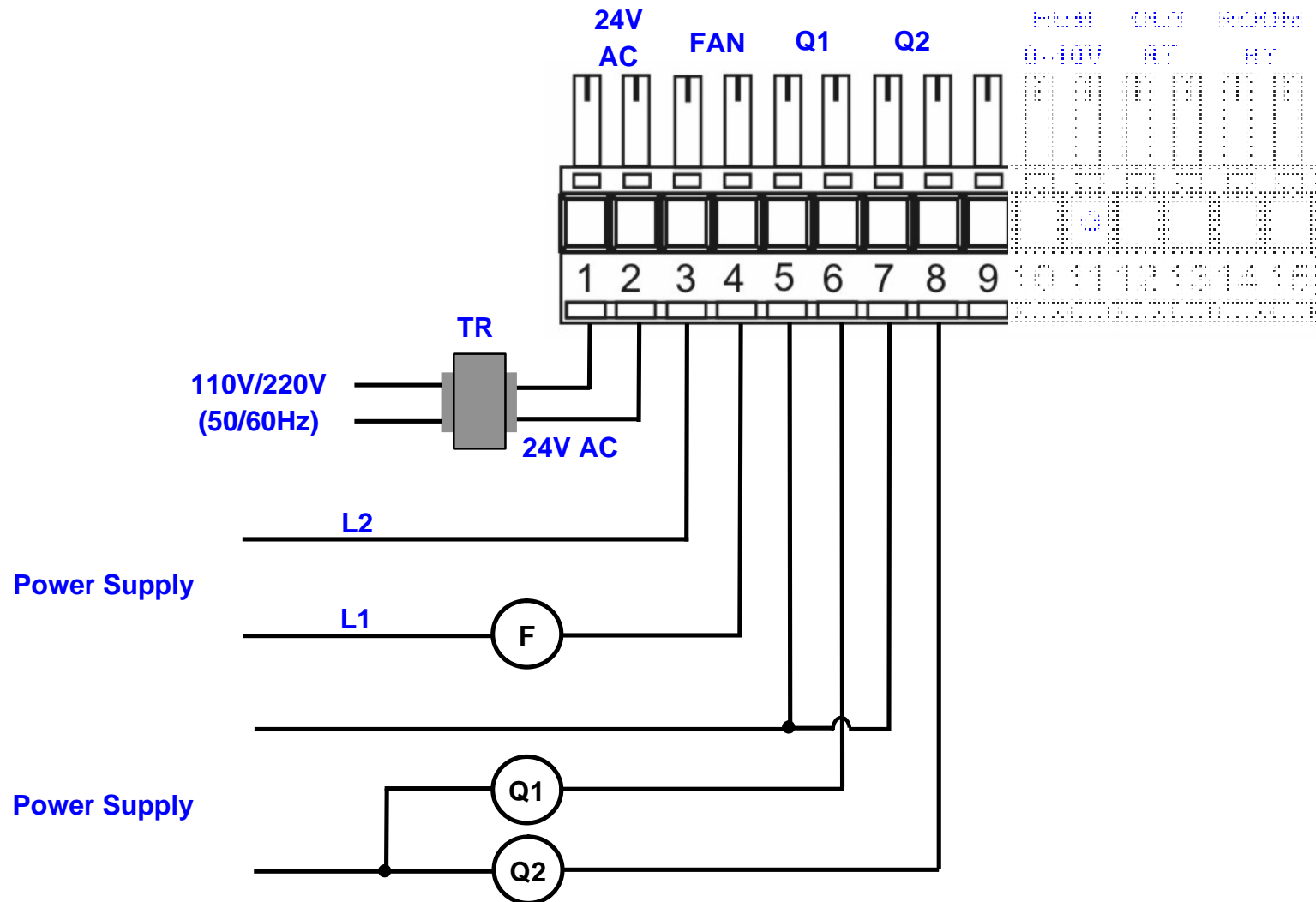


- DH100ACDCLP
- L4064K

- DPS400

- Manual Switch

Terminal-DO



Dimension

