

ML7420A/ML7425A

Electric Linear Valve Actuator

SPECIFICATION DATA



ML7420

ML7425

FEATURES

- Easy and quick installation
- No separate linkage required
- No adjustments required
- Low power consumption
- Force-limiting end stops
- Spring-return models (ML7425A)
- Manual operation knob
- Position feedback signal
- 0...10 Vdc or 2...10 Vdc signal input selectable
- Direct / reverse action selectable
- Stroke position on signal failure selectable
- Corrosion-resistant design
- Maintenance-free

SPECIFICATIONS

Temperature Limits

Ambient operating limits	-10...+50 °C at 5...95% r.h.
Ambient storage limits	-40...+70 °C at 5...95% r.h.
Medium valve temperature	Max. 150 °C (220 °C with High-Temperature kit)

Signals

Signal input voltage	y = 0...10 Vdc or 2...10 Vdc R _i = 100kΩ
Signal source	1 kΩ max.
Position feedback signal	x = 2...10 Vdc
Load	1 mA max.

Safety

Protection class	III as per EN60730-1
Protection standard	IP54 as per EN60529
Flame retardant housing	V0 as per UL94 (with metal cable gland)

GENERAL

The ML7420A / ML7425A actuators are designed for modulating control with controllers providing an analog output of 0...10 Vdc or 2...10 Vdc. They operate Honeywell's standard valves in heating, district heating, ventilation, and air conditioning (HVAC) applications. Spring-return models provide a safety position at power failure.

Wiring

Wiring terminals	1.5 mm ²
Cable entry	M20. Two additional knock-outs M18 and M20 for auxiliary switch and potentiometer accessories

Weight

non-spring return type	1.3 kg
spring return type	2.4 kg

Material

Cover	ABS-FR
Base	glass fiber reinforced plastic
Yoke	aluminum diecast

model number	ML7420A6033	ML7425A6016
supply voltage	24 Vac ±15%; 50/60 Hz	
power consumption	5 VA	12 VA
signal input 0(2) Vdc	Actuator stem retracted. Two-way valve:"open", three-way valve port A-AB:"closed" *	
signal input 10 Vdc	Actuator stem extended. Two-way valve:"closed", three-way valve port A-AB:"open" *	
stroke	20 mm	
run time at 50 Hz	1 min	1.8 min
close-off force	≥ 600 N	
spring return time	—	≈12 s
spring return direction	—	actuator stem extends at power failure

* Factory setting; can be reversed by pressing the right-hand pushbutton (W3) located on the PCB (see Fig. 1).

OPERATION

General

The drive of a synchronous motor is converted into linear motion of the actuator stem via a spur gear transmission. The actuator stem is connected with the valve stem by a button-keyed retainer connection.

An integrated spring package limits the stem force to a factory-set value in either direction.

The actuator switches off precisely when the specified stem force is reached.

Manual Operation

Actuators without spring return are equipped with a manual operation knob used in case of power failure. Manual operation is permitted only after the power supply is switched off or disconnected.

To operate, push the manual operation knob down and turn clockwise to move the stem downward and counterclockwise to move the stem upward. If the actuator returns to automatic control, the manual operation knob unlocks automatically.

In the case of actuators with spring return, the manual operation knob is located under the cover.

Override Option

All actuators have an integrated override function (see also Fig. 3). When the override signal is applied, the actuator drives to the fully-open or fully-closed position, regardless of the controller signal.

Spring Return

The ML7425A,B spring return actuators provide a defined safety position of the valve in case of power failure.

The spring return actuators are shipped from the factory with a shipment stop (to lock the manual operation knob) in order

to allow connection of the stem button retainer to the valve stem without power supply.

Electrical Installation

The actuators are delivered with a pre-installed cable gland M20 and two additional knock-outs for M18 and M20. Max. cable length/diameter for field mounting:
200 m / 1.5 mm²

NOTE: To avoid malfunction, it is necessary to connect 24 Vac power and ground (see Fig. 3 on page 4).

Action

The direction of action can be reversed by pressing the left-hand pushbutton (W3) located on the printed circuit board (see Fig. 1). If the corresponding LED is lit, this indicates that the actuator stem will retract at a control signal of 0(2) Vdc (factory setting); if it is dark, the actuator stem will extend at a control signal of 0(2) Vdc.

Input Signal Range

The range of the analog input signal Y can be changed by pressing the right-hand pushbutton (W2) located on the printed circuit board (see Fig. 1). If the corresponding LED is lit, this indicates that the actuator is set for 0...10 V operation (factory setting); if it is dark, the actuator is set for 2...10 V operation.

Input Signal Failure

Using the potentiometer (W1) located on the printed circuit board (see Fig. 1), the actuator can be adjusted such that in case of a signal input failure (e.g. a broken wire), the actuator will run to any pre-configured position between 0% and 100%. The factory setting is with the actuator stem in the central position (50%).

NOTE: The two pushbuttons (W3 and W2) and the potentiometer (W1) are accessible after the cover has been removed and are located at the rear side of the protection sheet of the printed circuit board.

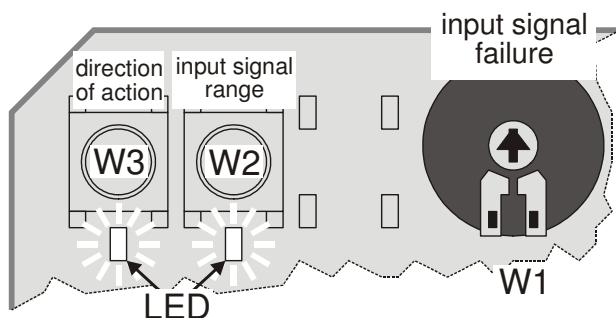


Fig. 1. Pushbuttons and potentiometer (default positions)

Output Signal "POSITION"

An analog output signal 2...10 Vdc "POSITION" is available which represents the actual actuator position. It can be used for remote indication.

When the actuator stem is extended, the output signal is 10 Vdc.

CLOSE-OFF PRESSURE RATINGS

stem force		600 N							
stroke		20 mm							
valve size	mm	15	20	25	32	40	50	65	80
	inch	½	¾	1	1 ¼	1 ½	2	2 ½	3
valves		close-off pressure ratings (in kPa)							
V5011P				1000	700	460	260		
V5328A							200	120	50
V5211F/S								1000	1000
V5025A		2500	2500	2500	2500	2500	2500	2500	2500
V5049A		1600/1000	1000	1000	600	350	200	120	
V5013P					700	460	260		
V5329C		600	600	600	600	480	260	160	100
V5329A		1000	1000	1000	790	480	260	160	100
V5050A		1000	1000	1000	600	350	200	120	50

Accessories

Auxiliary Switches

The actuators can be equipped on-site with an auxiliary switch unit with two switches. Their switching points are adjustable over the full length of the actuator stroke. The switches can be used to switch pumps or provide remote indication of any stroke position. A cable gland M20 is delivered with the unit.

Part number: 43191680-205

DIMENSIONS

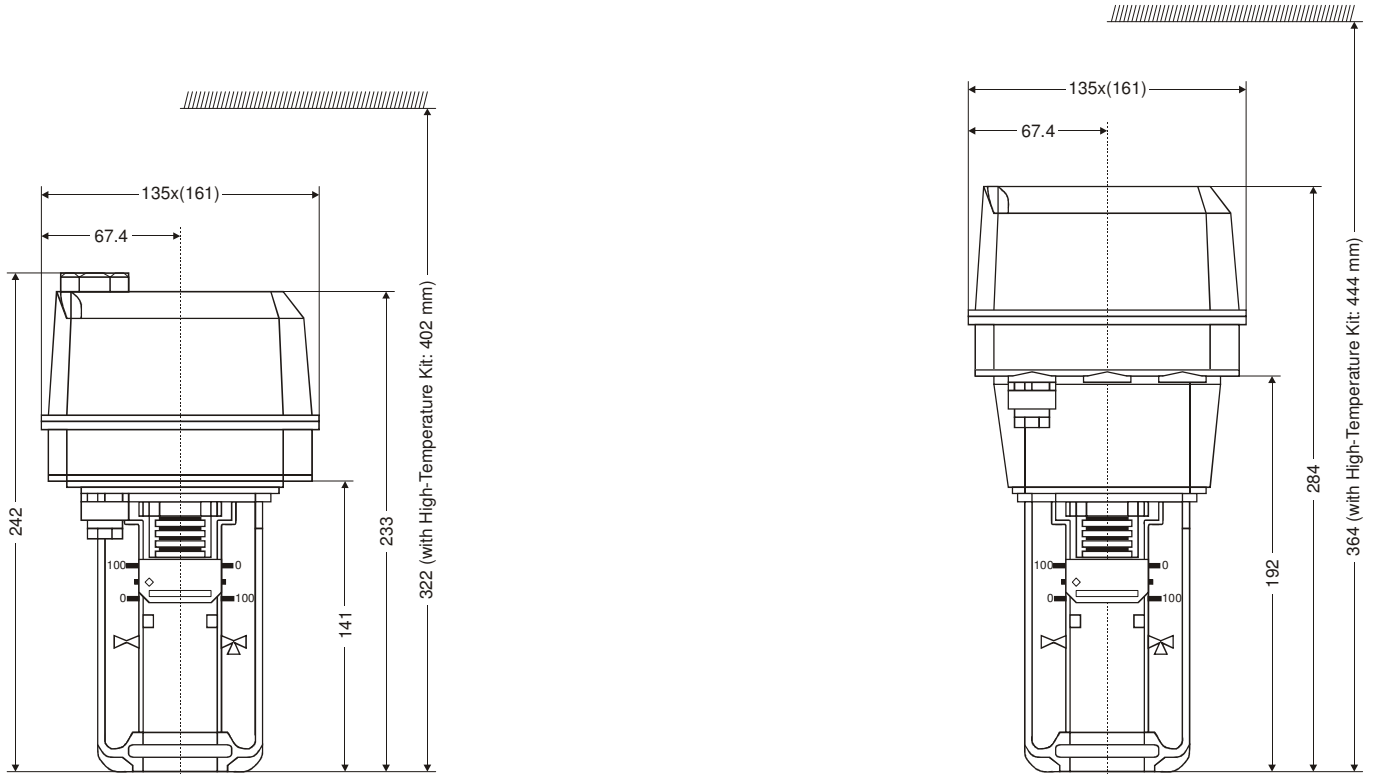


Fig. 2. ML7420A (left) and ML7425A (right), dimensions (in mm)

WIRING

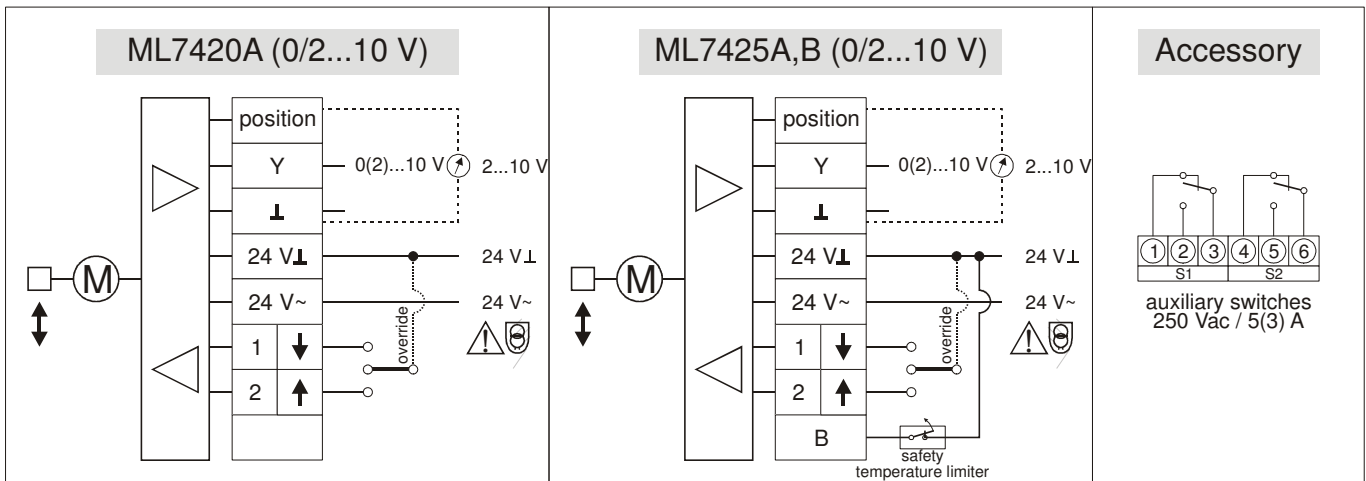


Fig. 3. Wiring

Honeywell

Automation and Control Solutions
 Honeywell Taiwan Ltd.
 9F, 168 Lien Cheng Road
 Chung Ho City, Taipei County, Taiwan
 Phone: +886-2-2243 1653
 Fax: +886-2-2243 1244

Subject to change without notice. Printed in Taiwan

APEN0H-023TW01A0807