

# CNV 504N/508N 耦合/去耦网络

## 信号线/数据线耦合/去耦网络



### 符合下列标准 ...

- > EN 50121
- > EN 61000-4-12
- > EN 61000-4-5
- > IEC 61000-4-12
- > IEC 61000-4-5
- > IEC 61326

### CNV 504N/508N - 信号线/数据线耦合/去耦网络

将浪涌脉冲和振铃波脉冲施加到非屏蔽非对称的互联线路（信号线/数据线），需要通过独立耦合/去耦网络来完成。EM TEST 的 CNV 系列 4 线或 8 线信号线/数据线耦合网络专为这一应用设计。按照 EN/IEC 61000-4-5 及 EN/IEC 61000-4-12 标准要求，根据线上信号的特性，可由电容、空气放电管或二极管等不同方式实现脉冲的耦合。

### 特点

- > 符合 EN/IEC 61000-4-5 和 EN/IEC 61000-4-12 标准的耦合/去耦网络
- > 浪涌测试耦合方式为气体放电管和 0.5uF 电容耦合(振铃波测试方式为 3.3uF 电容耦合)
- > 每线去耦电感为 20mH
- > 可选则差模或共模耦合模式
- > 测试电压分别可达 4kV、7kV 和 10kV
- > 线电压 50V (可定制更高电压网络)
- > 线电流 1A (可定制更大电流网络)

### 应用领域

-  工业
-  医疗
-  家电

技术细节

优点

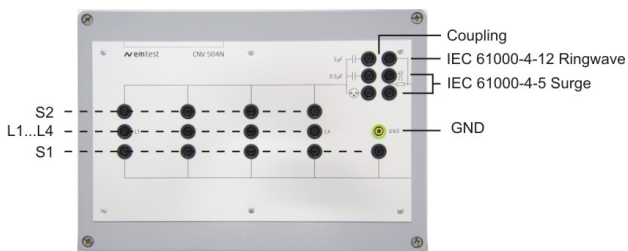
CNV 504N/508N 系列 - 多功能耦合/去耦网络

EM TEST CNV 504N/508N 系列耦合/去耦网络是适用于信号线/数据线浪涌和振铃波测试的多功能耦合网络。标准的 CNV 504N/508N 型号可进行三种不同的应用：即按照相关标准的要求，通过电容或气体放电管方式耦合浪涌脉冲，或通过电容耦合方式耦合振铃波脉冲。耦合方式的选择通过跳线即可完成。

CNV 504N/508N 系列耦合/去耦网络的去耦部分由每线 20mH 的去耦电感组成。为保护 DUT 测试所需的辅助设备，在信号线/数据线输入端还包含一个额外的保护电路。

EM TEST CNV 504N/508N

系列耦合/去耦网络能满足最高可达 10kV 的各种测试电压，并可定制满足更高信号电压/电流（最高可达 600V 或 4A）的耦合/去耦网络。此外，EM TEST 还提供各种专用耦合网络，能够满足像 EN 50155 标准这样的铁路测试应用或其他用户要求的测试应用。



优点

MULTIFUNCTIONAL COUPLING FOR SURGE AND RINGWAVE

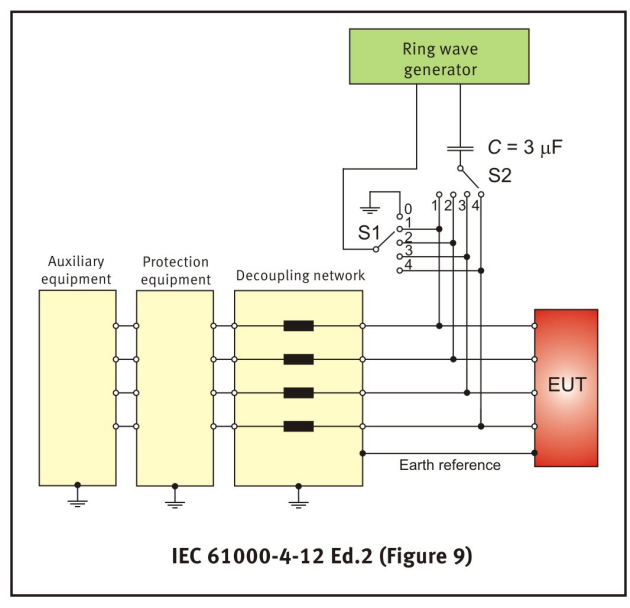
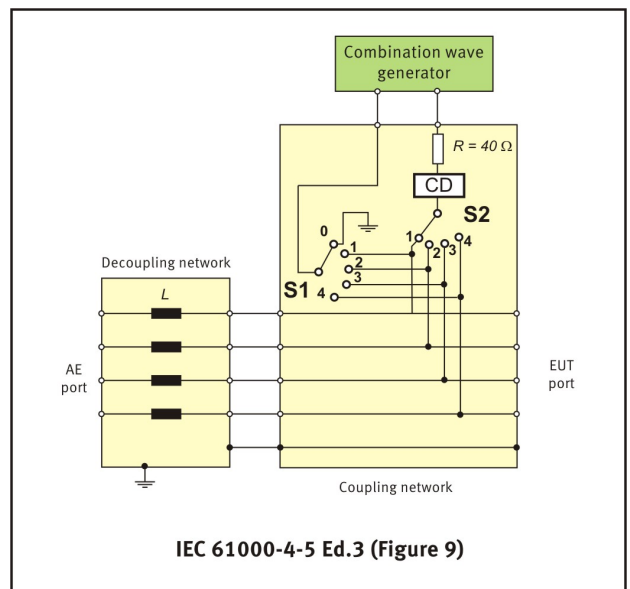
The EM TEST CNV 504N/508N series of coupling decoupling networks are multifunctional CDNs for the application of Surge and Ringwave pulses onto signal/data lines.

Surge as per IEC 61000-4-5 Ed.3, Figure 9

- Capacitor 0.5 uF with 40 ohm
- GDT gas arrestor with 40 ohm

Ringwave as per IEC 61000-4-12 Ed.2, Figure 9

- Capacitor >3.3 uF



技术细节

### CNV 504N-SERIES FOR 4 UNSHIELDED UNSYMMETRICAL INTERCONNECTION LINES, 50 V

#### 4 KV MODELS, LINE VOLTAGE MAX. 35 VAC, 50 VDC

CNV 504N1	4 kV coupling/decoupling network max. line current 1 A
CNV 504N1.1	4 kV coupling/decoupling network line current 4 A, intermittent 5A
General data	
Surge coupling	as per Fig. 9 IEC 61000-4-5 Ed.3, - 0.5 F capacitor via 40 ohm, - GDT gas arrester via 40 ohm
Ringwave coupling	as per Fig. 9 IEC 61000-4-12 Ed.2, - 3.3 F capacitor

#### 7 KV MODELS, LINE VOLTAGE MAX. 35 VAC, 50 VDC

CNV 504N2	7 kV coupling/decoupling network max. line current 1 A
CNV 504N2.1	7 kV coupling/decoupling network line current 4 A, intermittent 5A
General data	
Surge coupling	as per Fig. 9 IEC 61000-4-5 Ed.3, - 0.5 F capacitor via 40 ohm, - GDT gas arrester via 40 ohm
Ringwave coupling	as per Fig. 9 IEC 61000-4-12 Ed.2, - 3.3 F capacitor

#### 10 KV MODELS, LINE VOLTAGE MAX. 35 VAC, 50 VDC

CNV 504N3	10 kV coupling/decoupling network max. line current 1 A
CNV 504N3.1	10 kV coupling/decoupling network line current 4 A, intermittent 5A
General data	
Surge coupling	as per Fig. 9 IEC 61000-4-5 Ed.3, - 0.5 F capacitor via 40 ohm, - GDT gas arrester via 40 ohm

### CNV 504N-SERIES FOR 4 UNSHIELDED UNSYMMETRICAL INTERCONNECTION LINES, 300 V

#### 4 KV MODELS, LINE VOLTAGE MAX. 250 VAC, 300 VDC

CNV 504N1.2	4 kV coupling/decoupling network max. line current 1 A
CNV 504N1.3	4 kV coupling/decoupling network line current 4 A, intermittent 5A
General data	
Surge coupling	as per Fig. 9 IEC 61000-4-5 Ed.3, - 0.5 F capacitor via 40 ohm
Ringwave coupling	as per Fig. 9 IEC 61000-4-12 Ed.2, - 3.3 F capacitor

#### 7 KV MODELS, LINE VOLTAGE MAX. 250 VAC, 300 VDC

CNV 504N2.2	7 kV coupling/decoupling network max. line current 1 A
CNV 504N2.3	7 kV coupling/decoupling network line current 4 A, intermittent 5A
General data	
Surge coupling	as per Fig. 9 IEC 61000-4-5 Ed.3, - 0.5 F capacitor via 40 ohm
Ringwave coupling	as per Fig. 9 IEC 61000-4-12 Ed.2, - 3.3 F capacitor

#### 10 KV MODELS, LINE VOLTAGE MAX. 250 VAC, 300 VDC

CNV 504N3.2	10 kV coupling/decoupling network max. line current 1 A
CNV 504N3.3	10 kV coupling/decoupling network line current 4 A, intermittent 5A
General data	
Surge coupling	as per Fig. 9 IEC 61000-4-5 Ed.3, - 0.5 F capacitor via 40 ohm

技术细节

**CNV 508N-SERIES FOR 8 UNSHIELDED UNSYMMETRICAL INTERCONNECTION LINES, 50 V**

4 KV MODELS, LINE VOLTAGE MAX. 35 VAC, 50 VDC

CNV 508N1	4 kV coupling/decoupling network max. line current 1 A
CNV 508N1.1	4 kV coupling/decoupling network line current 4 A, intermittent 5A
General data	
Surge coupling	as per Fig. 9 IEC 61000-4-5 Ed.3, - 0.5 F capacitor via 40 ohm, - GDT gas arrestor via 40 ohm
Ringwave coupling	as per Fig. 9 IEC 61000-4-12 Ed.2, - 3.3 F capacitor

7 KV MODELS, LINE VOLTAGE MAX. 35 VAC, 50 VDC

CNV 508N2	7 kV coupling/decoupling network max. line current 1 A
CNV 508N2.1	7 kV coupling/decoupling network line current 4 A, intermittent 5A
General data	
Surge coupling	as per Fig. 9 IEC 61000-4-5 Ed.3, - 0.5 F capacitor via 40 ohm, - GDT gas arrestor via 40 ohm
Ringwave coupling	as per Fig. 9 IEC 61000-4-12 Ed.2, - 3.3 F capacitor

10 KV MODELS, LINE VOLTAGE MAX. 35 VAC, 50 VDC

CNV 508N3	10 kV coupling/decoupling network max. line current 1 A
CNV 508N3.1	10 kV coupling/decoupling network line current 4 A, intermittent 5A
General data	
Surge coupling	as per Fig. 9 IEC 61000-4-5 Ed.3, - 0.5 F capacitor via 40 ohm, - GDT gas arrestor via 40 ohm

**CNV 508N-SERIES FOR 8 UNSHIELDED UNSYMMETRICAL INTERCONNECTION LINES, 300 V**

4 KV MODELS, LINE VOLTAGE MAX. 250 VAC, 300 VDC

CNV 508N1.2	4 kV coupling/decoupling network max. line current 1 A
CNV 508N1.3	4 kV coupling/decoupling network line current 4 A, intermittent 5A
General data	
Surge coupling	as per Fig. 9 IEC 61000-4-5 Ed.3, - 0.5 F capacitor via 40 ohm
Ringwave coupling	as per Fig. 9 IEC 61000-4-12 Ed.2, - 3.3 F capacitor

7 KV MODELS, LINE VOLTAGE MAX. 250 VAC, 300 VDC

CNV 508N2.2	7 kV coupling/decoupling network max. line current 1 A
CNV 508N2.3	7 kV coupling/decoupling network line current 4 A, intermittent 5A
General data	
Surge coupling	as per Fig. 9 IEC 61000-4-5 Ed.3, - 0.5 F capacitor via 40 ohm
Ringwave coupling	as per Fig. 9 IEC 61000-4-12 Ed.2, - 3.3 F capacitor

10 KV MODELS, LINE VOLTAGE MAX. 250 VAC, 300 VDC

CNV 508N3.2	10 kV coupling/decoupling network max. line current 1 A
CNV 508N3.3	10 kV coupling/decoupling network line current 4 A, intermittent 5A
General data	
Surge coupling	as per Fig. 9 IEC 61000-4-5 Ed.3, - 0.5 F capacitor via 40 ohm

技术细节

GENERAL

4 KV DEVICES, DIMENSION AND WEIGHTS

Model	dimension (L x W x H), weight
CNV 504 N1	330 x 230 x 112 mm, 5.40 kg
CNV 504 N1.1	330 x 230 x 112 mm, 9.55 kg
CNV 504 N1.2	330 x 230 x 112 mm, 5.50 kg
CNV 504 N1.3	330 x 230 x 112 mm, 9.75 kg
CNV 508 N1	330 x 230 x 112 mm, 6.40 kg
CNV 508 N1.1	448 x 395 x 142 mm, 17.45 kg
CNV 508 N1.2	330 x 230 x 112 mm, 6.65 kg
CNV 508 N1.3	448 x 395 x 142 mm, 17.65 kg

7 KV DEVICES, DIMENSION AND WEIGHTS

Model	dimension (L x W x H), weight
CNV 504 N2	448 x 305 x 142 mm, 9.10 kg
CNV 504 N2.1	448 x 305 x 142 mm, 11.80 kg
CNV 504 N2.2	448 x 305 x 142 mm, 6.70 kg
CNV 504 N2.3	448 x 305 x 142 mm, 11.85 kg
CNV 508 N2	448 x 305 x 142 mm, 12.90 kg
CNV 508 N2.1	448 x 395 x 142 mm, 17.60 kg
CNV 508 N2.2	448 x 305 x 142 mm, 12.90 kg
CNV 508 N2.3	448 x 395 x 142 mm, 17.65 kg

10 KV DEVICES, DIMENSION AND WEIGHTS

Model	dimension (L x W x H), weight
CNV 504 N3	448 x 305 x 142 mm, 9.25 kg
CNV 504 N3.1	448 x 305 x 142 mm, 10.50 kg
CNV 504 N3.2	448 x 305 x 142 mm, 9.40 kg
CNV 504 N3.3	448 x 305 x 142 mm, 10.65 kg
CNV 508 N3	448 x 305 x 142 mm, 13.50 kg
CNV 508 N3.1	448 x 395 x 142 mm, 17.45 kg
CNV 508 N3.2	448 x 305 x 142 mm, 13.55 kg
CNV 508 N3.3	448 x 395 x 142 mm, 17.55 kg

GENERAL

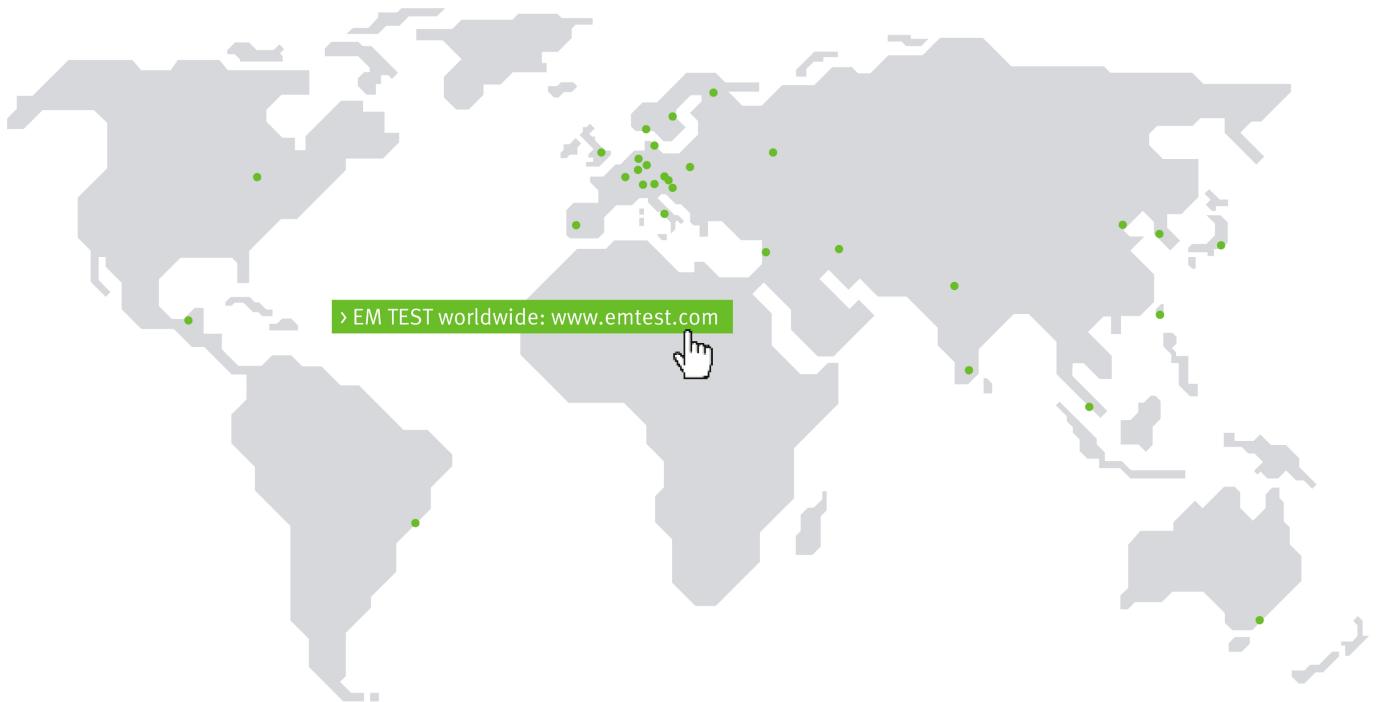
DECOUPLING

Decoupling inductance	20 mH, each line
-----------------------	------------------

ENVIRONMENT

Temperature	10 °C to 40 °C
Humidity	10 % to 80 %, non condensing
Atmospheric pressure	86 kPa (860 mbar) to 106 kPa (1,060 mbar)

# 实力无处不在



## 直接联系 EM TEST

### 瑞士

AMETEK CTS GmbH > Sternenhofstra e 15 > 4153 Reinach > Switzerland  
 电话 +41 (0)61 204 41 11 > 传真 +41 (0)61 204 41 00  
 Internet: [www.ametek-cts.com](http://www.ametek-cts.com) > 电子邮件: [sales.conducted.cts@ametek.com](mailto:sales.conducted.cts@ametek.com)

### 德国

AMETEK CTS Europe GmbH > Customer Care Center EMEA > Lünener Stra e 211  
 > 59174 Kamen > Germany  
 电话 +49 (0) 2307 26070-0 > 传真 +49 (0) 2307 17050  
 Internet: [www.ametek-cts.com](http://www.ametek-cts.com) > 电子邮件: [info.cts.de@ametek.com](mailto:info.cts.de@ametek.com)

### 波兰

AMETEK CTS Europe GmbH > Biuro w Polsce > ul. Twarda 44 > 00-831 Warsaw >  
 Poland  
 电话 +48 (0) 518 643 12  
 Internet: [www.ametek-cts.com](http://www.ametek-cts.com) > 电子邮件: [Infopolska.cts@ametek.com](mailto:Infopolska.cts@ametek.com)

### 美国 / 加拿大

AMETEK CTS US > 52 Mayfield Ave > Edison > NJ 08837 > USA  
 电话 +1 732 417 0501  
 Internet: [www.ametek-cts.com](http://www.ametek-cts.com) > 电子邮件: [usasales.cts@ametek.com](mailto:usasales.cts@ametek.com)

### 中国

E & S Test Technology Limited > Rm 913, Leftbank >  
 No. 68 Bei Si Huan Xi Lu > Haidian District > Beijing 100080 > P.R. China  
 电话 +86 (0)10 82 67 60 27 > 传真 +86 (0)10 82 67 62 38  
 Internet: [www.emtest.com](http://www.emtest.com) > 电子邮件: [info@emtest.com.cn](mailto:info@emtest.com.cn)

### Р е с п у б л и к а К о р е я

EM TEST Korea Limited > #405 > WooYeon Plaza > #986-8 > YoungDeok-dong >  
 Giheung-gu > Yongin-si > Gyeonggi-do > Korea  
 电话 +82 (31) 216 8616 > 传真 +82 (31) 216 8616  
 Internet: [www.emtest.co.kr](http://www.emtest.co.kr) > 电子邮件: [sales@emtest.co.kr](mailto:sales@emtest.co.kr)

### 新加坡

AMETEK Singapore Pte. Ltd > No. 43 Changi South Avenue 2 > 04-01 Singapore  
 48164  
 Internet: [www.ametek-cts.com](http://www.ametek-cts.com) > 电子邮件: [singaporesales.cts@ametek.com](mailto:singaporesales.cts@ametek.com)

### 大不列颠

AMETEK GB > 5 Ashville Way > Molly Millars Lane > Wokingham > Berkshire RG41  
 2 PL > Great Britain  
 电话 +44 845 074 0660  
 Internet: [www.ametek-cts.com](http://www.ametek-cts.com)

供货范围、外观设计、技术指标等信息，均于刊印时有效，技术数据如有变化，恕不另行通知。