

Stroke: 30mm  
 Max flow rate: 1300 L/h  
 Motors: 0,37 - 0,75 - 1,5 kW



**Plunger  
 Metering Pump  
 Positive Return**

**API 675**

*LK pump is the second size of the four "L" sizes: LY-LK-LN-LP.  
 The stroke adjustment is based on OBL's unique design.*

## CONSTRUCTION CHARACTERISTICS

- OBL's metering pumps are used in several industrial plants. The "L" series ranges from the smallest capacity, 400 cc/h, to the largest, 11.000 L/h.
- All models can be built as multiple units with different sized heads.
- Each pumphead can have a different stroke rate since each has its own reduction gear.
- Power transmission through multiple units is easily achieved by a common motor-speed shaft, so the torque is lower than after the reduction gears.
- Positive displacement mechanism with mechanical return of the plunger, based on OBL's unique design.
- Smooth flowrate adjustment by control knob, either with pump in motion or stationary.
- 1% repeatability of flowrate within 10% and 100% of maximum capacity.
- Low NPSH requirement: as low as 1,5m in recommended installation conditions.

### TECHNICAL DATA

TIPO TYPE	STROKES/m	FLOW RATE L/h	MAX PRESS.BAR				CONNECTIONS	
			AISI 316L		PVC		DN	ANSI
			0,37 kW	0,75 kW	0,37 kW	0,75 kW		
LK10	60	6					15	1/2"
	80	8						
	100	10	80	100	10	10		
	120	13						
LK15	60	15	80				15	1/2"
	80	20						
	100	25	100	100	10	10		
	120	30	75					
LK20	60	30	80				15	1/2"
	80	38						
	100	48	100	100	10	10		
	120	58	45					
LK25	60	47	60	80			15	1/2"
	80	62	50	80				
	100	78	35	70	10	10		
	120	93	30	60				
LK30	60	70	40	70			20	3/4"
	80	90	32	70				
	100	110	25	52	10	10		
	120	135	20	43				
LK40	60	128	20	40			20	3/4"
	80	165	20	40				
	100	210	15	30	10	10		
	120	250	12	25				
LK50	60	200	15	27	10		25	1"
	80	265	13	27	10			
	100	330	9	18	9	10		
	120	400	7	15	7			
LK65	60	340	7	16	7	10	25	1"
	80	450	6	16	6	10		
	100	550	4	12	4	10		
	120	665	3	9	3	9		
LK80	60	510		10		10	40	ANSI 316: 1" 1/2 PVC: 2"
	80	700		8,5		8,5		
	100	850	-	7	-	7		
	120	1000		6		6		
LK100	60	800		6		6	40	
	80	1050	-	4,5	-	4,5		
	100	1300		4		4		

## PUMP HEADS

The standard construction, up to 93 L/h, has duplex ball valves; higher flowrates have single valves.

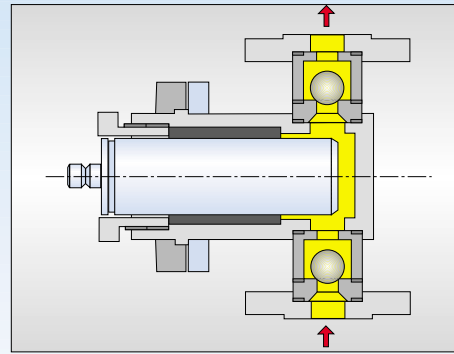
- Materials of construction for wetted parts are:

- **Construction A:** AISI 316L
- **Construction P:** PVC-Ceramic - PTFE

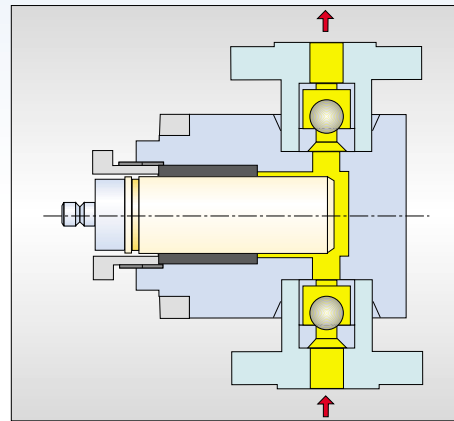
Pumps in other materials such as Hastelloy, other alloys, PVDF etc., can be supplied on demand.

- Plunger packing is of reinforced Teflon chevron rings.
- Suction and discharge connections are flanged.

- **Max. temperature of handled liquid:**
  - with standard stainless steel heads: 120 °C
  - with special stainless steel heads: 300 °C
  - with stainless steel heads and ceramic plunger: 100 °C
  - with PVC head: 40 °C
  - with PVDF head: 70 °C

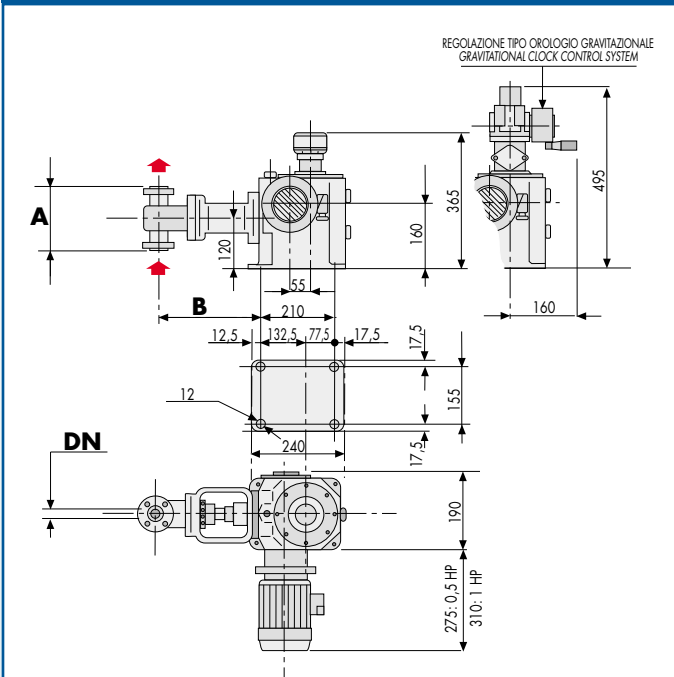


Stainless steel head "A" execution flanged connections.



PVC head, "P" execution, flanged connections.

## OVERALL DIMENSIONS

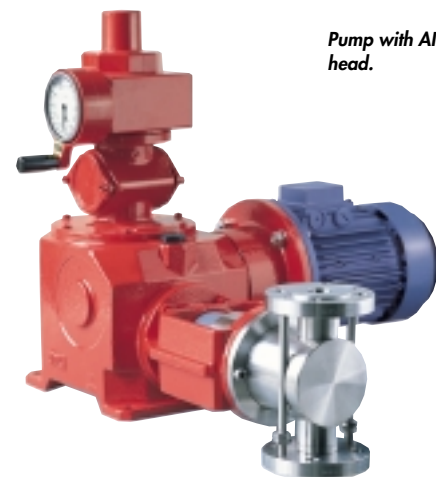


TYPE	AISI 316L			PVC			DN UNI 2223/29		ANSI B 16,5		
	A	Adv	B	BTL	A	Adv	B	AISI: PN40	PVC: PN10	AISI 150RF	PVC: 150RF
LK 10	-	165	242	275	-	180	232	15	15	1/2"	1/2"
LK 15	-	165	242	275	-	180	232	15	15	1/2"	1/2"
LK 20	-	165	242	275	-	180	232	15	15	1/2"	1/2"
LK 25	-	165	242	275	-	180	232	15	15	1/2"	1/2"
LK 30	148	208	242	275	208	-	232	20	20	3/4"	3/4"
LK 40	148	228	242	275	208	-	232	20	20	3/4"	3/4"
LK 50	175	264	247	275	228	-	237	25	25	1"	1"
LK 65	198	268	247	260	228	-	237	25	25	1"	1"
LK 80	245	399	245	260	308	-	247	40	40	1 1/2"	2"
LK 100	269	409	247	-	335	-	247	40	40	1 1/2"	2"

## MODEL NUMBER

KEY TO SYMBOLS	
PUMP TYPE	
Ø	PLUNGER
A	AISI-316L VERSION
P	PVC VERSION
STROKES PER MINUTE	
Z...	ELECTRIC ACTUATOR 4÷20 mA
W	3÷1.5 PSI PNEUMATIC ACTUATOR
F	UNI-DIN FLANGED CONNECTIONS
FA	ANSI FLANGED CONNECTIONS
...	= 0 ÷ 10 BAR VERSION (NO NEED OF MODEL NO.)
TL	= 10 ÷ 40 BAR
TN	= 40 ÷ 100 BAR

**LK 30 A 60 TL FA Z....**



Pump with AISI 316L pump head.

## MATERIALS OF CONSTRUCTION

PARTS	A	P	AC	ACV	H
LIQUID END	AISI 316L	PVC	AISI 316L	AISI 316L	AISI 316L
PLUNGER	AISI 316L	CERAMIC	CERAMIC	CERAMIC	CERAMIC
PACKING	TEFLON/PTFE	TEFLON/PTFE	TEFLON/PTFE	VULKOLLAN POLYURETHAN	TEFLON/PTFE
VALVE SEAT	AISI 316L	PVC	INCOLOY 825	AISI 316L	AISI 316L
VALVE	AISI 316L	PIREX	PIREX	AISI 316L	AISI 316L
VALVE SEAL	VITON/FPM	VITON/FPM	VITON/FPM	VITON/FPM	VITON/FPM

Stroke: 50mm  
 Max flow rate: 3800 L/h  
 Motors: 0,75 - 1,5 - 3 - 4 kW



**Plunger  
 Metering Pump  
 Positive Return**

**API 675**

*LN pump is the third size of the four "L" sizes :  
 LY-LK-LN-LP.*

*The stroke adjustment is based on OBL's unique design.*

## CONSTRUCTION CHARACTERISTICS

■ OBL's metering pumps are used in several industrial plants. The "L" series ranges from the smallest capacity, 400 cc/h, to the largest, 11.000 L/h.

■ All models can be built as multiple units with different sized heads.

■ Each pumphead can have a different stroke rate since each has its own reduction gear.

■ Power transmission through multiple units is easily achieved by a common motor-speed shaft, so the torque is lower than after the reduction gears.

■ Positive displacement mechanism with mechanical return of the plunger, based on OBL's unique design.

■ Smooth flowrate adjustment by control knob, either with pump in motion or stationary.

■ 1% repeatability of flowrate within 10% and 100% of maximum capacity.

■ Low NPSH requirement: as low as 1,5m in recommended installation conditions.

### TECHNICAL DATA

TIPO TYPE	STROKES/m	FLOW RATE L/h	MAX PRESS.BAR				CONNECTIONS				
			AISI 316L		PVC		UNI		ANSI		
			0,75 kW	1,5 kW	0,75 kW	1,5 kW	A	P	A	P	
LN30	40	72									
	47	90									
	56	105	45	90	-	-	20	-	3/4"	-	
	68	125									
	80	150									
LN40	68	230	30	50							
	80	275	25	50							
	97	340	20	40	-	-	20	-	3/4"	-	
	118	420	17	35							
LN50	68	380	17	30							
	80	445	15	30							
	97	540	13	26	10	-	25	25	1"	1"	
	118	650	10	20							
LN65	68	650	10	20	10						
	80	750	9	18	9						
	97	900	8	16	8	10	40	40	1"	2"	
	118	1100	6	12	6				1/2"	2"	
LN80	68	950		14		10					
	80	1100		12		10					
	97	1330	-	10	-	10	40	40	1"	2"	
	118	1650		8		8			1/2"	2"	
LN100	68	1500		9		9					
	80	1800		7		7					
	97	2150	-	6	-	6	40	40	1"	2"	
	118	2700		5		5			1/2"	2"	
LN120	68	2100		6		6					
	80	2500		5		5					
	97	3200	-	4	-	4	50	50	2"	2"	
	118	3800		3,5		3,5					
DOUBLE-ACTING	LN120 ADE	56	3300		7						
		68	4000	-	6	-	-	50		2"	
		80	4800		5						
LN135 ADE	56	4200		5							
	68	5300	-	4	-	-	65		2-1/2"		
	80	6500		3							

## PUMP HEADS

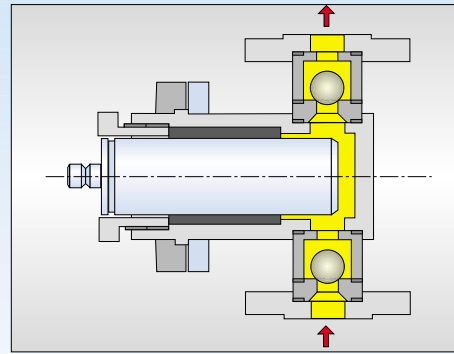
The standard construction, up to 420 L/h, has duplex ball valves; higher flowrates have single valves.

- Materials of construction for wetted parts are:

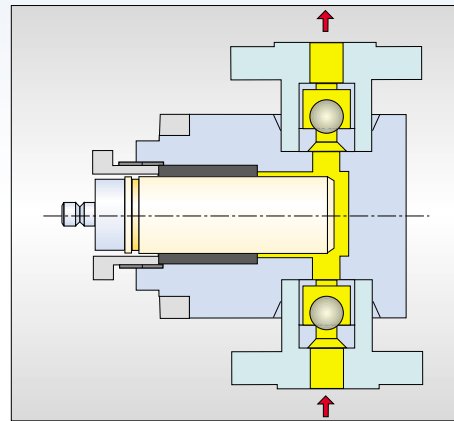
- **Construction A:** AISI 316L
- **Construction P:** PVC-Ceramic - PTFE

Pumps in other materials such as Hastelloy, other alloys, PVDF etc., can be supplied on demand.

- Plunger packing is of reinforced Teflon chevron rings.
- Suction and discharge connections are flanged.
- **Max. temperature of handled liquid:**
  - with standard stainless steel heads: 120 °C
  - with special stainless steel heads: 300 °C
  - with stainless steel heads and ceramic plunger: 100 °C
  - with PVC head: 40 °C
  - with PVDF head: 70 °C

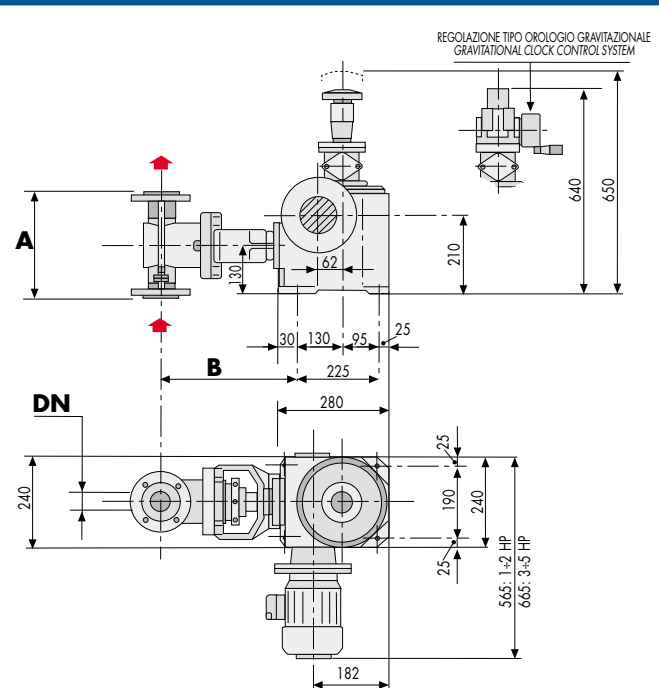


Stainless steel head "A" execution flanged connections.



PVC head, "P" execution, flanged connections.

## OVERALL DIMENSIONS



## MODEL NUMBER

KEY TO SYMBOLS	
PUMP TYPE	
Ø PLUNGER	
A	AISI-316L VERSION
P	PVC VERSION
STROKES PER MINUTE	
Z...	ELECTRIC ACTUATOR 4÷20 mA
W	3÷1.5 PSI PNEUMATIC ACTUATOR
F	UNI-DIN FLANGED CONNECTIONS
FA	ANSI FLANGED CONNECTIONS
...	= 0 ÷ 10 BAR VERSION (NO NEED OF MODEL NO.)
TL	= 10 ÷ 40 BAR
TN	= 40 ÷ 100 BAR

**LX** *Plunger metering single version only. Flow rate and pressure characteristics are the same as for LN pump.*

TYPE	AISI 316L				PVC		DN UNI 2223/29		ANSI B 16.5	
	A	ADV	B	BTL	A	B	AISI: PN40	PVC: PN10	AISI 316L 150RF	PVC: 150RF
LN 40TL	-	226	-	335	-	-	20	-	3/4"300RF	-
LN 50	175	255	275	335	228	260	25	-	1"	1"
LN 65	224	358	275	335	297	265	40	-	1 1/2"	2"
LN 65TL	224	358	-	335	-	-	40	-	1 1/2"300RF	-
LN 80	243	377	275	335	308	275	40	-	1 1/2"	2"
LN 100	267	-	275	331	334	275	40	-	1 1/2"	2"
LN 120	307	-	300	-	430	300	50	-	2"	2"

## MATERIALS OF CONSTRUCTION

PARTS	A	P	AC	ACV	H
LIQUID END	AISI 316L	PVC	AISI 316L	AISI 316L	AISI 316L
PLUNGER	AISI 316L	CERAMIC	CERAMIC	CERAMIC	CERAMIC
PACKING	TEFLON/PTFE	TEFLON/PTFE	TEFLON/PTFE	VULKOLLAN POLYURETHAN	TEFLON/PTFE
VALVE SEAT	AISI 316L	PVC	AISI 316L	AISI 316L	INCOLOY 825
VALVE	AISI 316L	PIREX	AISI 316L	AISI 316L	PIREX
VALVE SEAL	VITON/FPM	VITON/FPM	VITON/FPM	VITON/FPM	VITON/FPM

Stroke: 50mm  
 Max flow rate: 5500 L/h  
 Motors: 2,2 - 3 - 4 - 5,5 - 7,5 kW



**Plunger Metering Pump**  
**Positive Return API 675**

*LP pump is the largest pump of the "L" series and is the fourth of the four sizes: LY-LK-LN-LP. The stroke adjustment is based on OBL's unique design.*

## CONSTRUCTION CHARACTERISTICS

- OBL's metering pumps are used in several industrial plants. The "L" series ranges from the smallest capacity, 400 cc/h, to the largest, 11.000 L/h.
- All models can be built as multiple units with different sized heads.
- Each pumphead can have a different stroke rate since each has its own reduction gear.
- Power transmission through multiple units is easily achieved by a common motor-speed shaft, so the torque is lower than after the reduction gears.
- Positive displacement mechanism with mechanical return of the plunger, based on OBL's unique design.
- Smooth flowrate adjustment by control knob, either with pump in motion or stationary.
- 1% repeatability of flowrate within 10% and 100% of maximum capacity.
- Low NPSH requirement: as low as 1,5m in recommended installation conditions.

TECHNICAL DATA												
TYPE	STROKES/m	FLOW RATE L/h	MAX PRESSURE BAR INSTALL. POWER kW.						CONNECTIONS			
			AISI 316L			PVC			UNI		ANSI	
			2,2	3	4	2,2	3	4	A	P	A	P
LP40	68	230	70	80	90	-	-	-	20	-	3/4"	-
	80	275	65	80	90	-	-	-	-	-	-	-
	97	340	55	70	80	-	-	-	-	-	-	-
	118	420	50	65	80	-	-	-	-	-	-	-
LP50	68	380	45	55	65	10	-	-	25	25	1"	1"
	80	445	40	50	60	-	-	-	-	-	-	-
	97	540	35	45	55	-	-	-	-	-	-	-
	118	650	28	36	45	-	-	-	-	-	-	-
LP65	68	650	28	36	40	10	-	-	40	40	1"	2"
	80	750	25	32	40	-	-	-	-	-	1/2"	2"
	97	900	22	28	35	-	-	-	-	-	-	-
	118	1100	17	22	27	-	-	-	-	-	-	-
LP80	68	950	20	26	27	10	-	-	40	40	1"	2"
	80	1100	17	22	27	-	-	-	-	-	1/2"	2"
	97	1380	14	18	22	-	-	-	-	-	-	-
	118	1650	11	14	17	-	-	-	-	-	-	-
LP100	68	1500	12	15	15	10	10	-	40	40	1"	2"
	80	1800	10	13	15	10	10	-	-	-	1/2"	2"
	97	2150	8	10	12	8	10	-	-	-	-	-
	118	2700	7	9	11	7	9	-	-	-	-	-
LP120	68	2100	8	10	10	8	10	10	50	50	2"	2"
	80	2500	7	9	10	7	9	10	-	-	-	-
	97	3200	5,5	7	9	5,5	7	9	-	-	-	-
	118	3800	5	6,5	8	5	6,5	8	-	-	-	-
LP158	56	3000	-	-	6	-	-	6	50	50	2"	2"
	68	3700	-	-	6	-	-	6	-	-	-	-
	80	4500	-	-	6	-	-	6	-	-	-	-
	97	5500	-	-	5	-	-	5	-	-	-	-
DOUBLE - ACTING LP120 ADE	56	3300	-	10	11	-	-	-	50	50	2"	2"
	68	4000	-	9	11	-	-	-	-	-	-	-
	80	4800	-	8	10	-	-	-	-	-	-	-
	97	6000	-	7	9	-	-	-	-	-	-	-
DOUBLE - ACTING LP135 ADE	56	4200	-	-	8	-	-	-	65	65	2"	2"
	68	5300	-	-	8	-	-	-	-	-	1/2"	1/2"
	80	6500	-	-	8	-	-	-	-	-	-	-
	97	8000	-	-	7	-	-	-	-	-	-	-
DOUBLE - ACTING LP160 ADE	56	6000	-	-	6	-	-	-	65	65	2"	2"
	68	7500	-	-	6	-	-	-	-	-	1/2"	1/2"
	80	9000	-	-	6	-	-	-	-	-	-	-
	97	11000	-	-	5	-	-	-	-	-	-	-

## PUMP HEADS

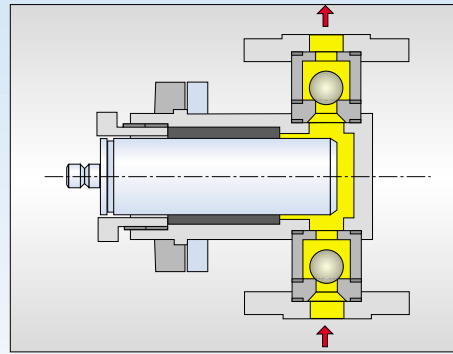
The standard construction, up to 420 L/h, has duplex ball valves; higher flowrates have single valves.

- Materials of construction for wetted parts are:

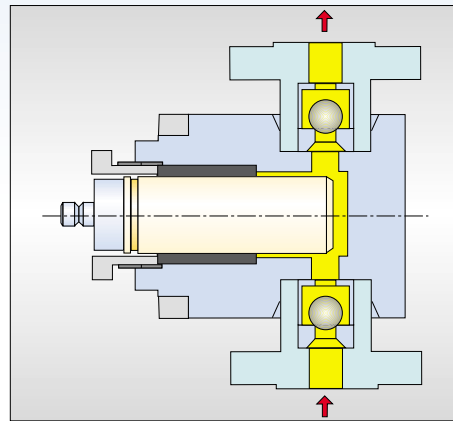
- **Construction A:** AISI 316L
- **Construction P:** PVC-Ceramic - PTFE

Pumps in other materials such as Hastelloy, other alloys, PVDF etc., can be supplied on demand.

- Plunger packing is of reinforced Teflon chevron rings.
- Suction and discharge connections are flanged.
- **Max. temperature of handled liquid:**
  - with standard stainless steel heads: 120 °C
  - with special stainless steel heads: 300 °C
  - with stainless steel heads and ceramic plunger: 100 °C
  - with PVC head: 40 °C
  - with PVDF head: 70 °C

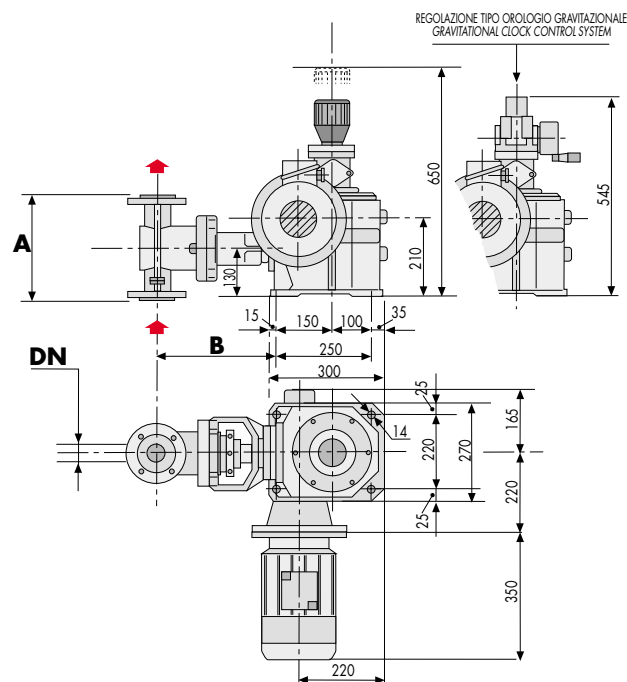


Stainless steel head "A" execution flanged connections.



PVC head, "P" execution, flanged connections.

## OVERALL DIMENSIONS



## MODEL NUMBER

KEY TO SYMBOLS	
PUMP TYPE	
Ø	PLUNGER
A	AISI-316L VERSION
P	PVC VERSION
STROKES PER MINUTE	
Z...	ELECTRIC ACTUATOR 4÷20 mA
W	3÷1.5 PSI PNEUMATIC ACTUATOR
F	UNI-DIN FLANGED CONNECTIONS
FA	ANSI FLANGED CONNECTIONS
...	= 0 ÷ 10 BAR VERSION (NO NEED OF MODEL NO.)
TL	= 10 ÷ 40 BAR
TN	= 40 ÷ 100 BAR

LP 100 A 97 FA Z...



Pump with gravitational clock control system.

TYPE	AISI 316				PVC		DN UNI 2223/29		ANSI B 16.5	
	A	ADV	B	BTL	A	B	AISI: PN40	PVC: PN10	AISI 150RF	PVC: 150RF
LP 40TN	-	226	-	315	-	-	20	-	3/2"	-
LP 50 TN	180	260	255	305	228	240	25	25	1"	1"
LP 65	224	358	255	315	297	245	40	40	1 1/2"	2"
LP 65TL	224	358	-	315	-	-	40	-	1 1/2" 300RF	-
LP 80	250	380	255	305	308	255	40	40	1 1/2"	2"
LP 100	275	-	255	270	334	255	40	40	1 1/2"	2"
LP 120	314	-	280	-	400	280	50	50	2"	2"
LP 158	379	-	280	-	450	340	50	50	2"	2"

## MATERIALS OF CONSTRUCTION

PARTS	A	P	AC	ACV	H
LIQUID END	AISI 316L	PVC	AISI 316L	AISI 316L	AISI 316L
PLUNGER	AISI 316L	CERAMIC	CERAMIC	CERAMIC	CERAMIC
PACKING	TEFLON/PTFE	TEFLON/PTFE	TEFLON/PTFE	VULKOLLAN POLYURETHAN	TEFLON/PTFE
VALVE SEAT	AISI 316L	PVC	AISI 316L	AISI 316L	INCOLOY 825
VALVE	AISI 316L	PIREX	AISI 316L	AISI 316L	PIREX
VALVE SEAL	VITON/FPM	VITON/FPM	VITON/FPM	VITON/FPM	VITON/FPM

Stroke: 11/17mm  
 Max flow rate: 400 L/h  
 Motors: 0,18 - 0,37 - 0,75 kW



**Plunger  
 Metering Pump  
 Positive Return**

**API 675**

*Model LY is the smallest of the four sizes in the "L" range; LY-LK-LN-LP.  
 The pump is very compact, but has all the technical features of the positive displacement.  
 The stroke adjustment is based on OBL's unique design.*

## CONSTRUCTION CHARACTERISTICS

- OBL's metering pumps are used in several industrial plants. The "L" series ranges from the smallest capacity, 400 cc/h, to the largest, 11.000 L/h.
- All models can be built as multiple units with different sized heads.
- Each pumphead can have a different stroke rate since each has its own reduction gear.
- Power transmission through multiple units is easily achieved by a common motor-speed shaft, so the torque is lower than after the reduction gears.
- Positive displacement mechanism with mechanical return of the plunger, based on OBL's unique design.
- Smooth flowrate adjustment by control knob, either with pump in motion or stationary.
- 1% repeatability of flowrate within 10% and 100% of maximum capacity.
- Low NPSH requirement: as low as 1,5m in recommended installation conditions.

### TECHNICAL DATA

TYPE	STROKES/m	FLOW RATE L/h	MAX PRESS.BAR				CONNECTIONS		
			0,18 kW		0,37 kW		THREADED	FLANGED	
			AISI 316L	PVC	AISI 316L	PVC		UNI	ANSI
LY6	50	1,2	40	-	100	10	3/8" G.F./Rp	15	1/2"
	70	1,8							
	95	2,3							
LY8	36	1,5	40	10	100	10	3/8" G.F./Rp	15	1/2"
	50	1,8							
	70	2,5							
LY10	50	3,5	40	10	100	10	3/8" G.F./Rp	15	1/2"
	70	4,5							
	95	6,5							
LY15	50	8	40	10	100	10	3/8" G.F./Rp	15	1/2"
	70	11							
	95	15							
LY20	50	14,5	23	10	70	10	3/8" G.F./Rp	15	1/2"
	70	20			60				
	95	28			50				
LY25	50	23	15	10	40	10	3/8" G.F./Rp	15	1/2"
	70	32							
	95	43							
LY30	50	32	-	-	40	10	3/8" G.F./Rp	15	1/2"
	70	45			40				
	95	62			33				
LY40	50	60	-	-	22	10	1/2" G.F./Rp	15	1/2"
	70	82			20				
	95	110			18				
LY50	50	90	-	-	14	10	-	20	3/4"
	70	130			13				
	95	175			11				
LY65	50	155	-	-	7	-	-	20	3/4"
	70	220			7				
	95	300							
LY75	50	210	-	-	4	-	-	25	1"
	70	300							
	95	400							

## PUMP HEADS

The standard construction, up to 130 L/h, has duplex ball valves; higher flowrates have single valves.

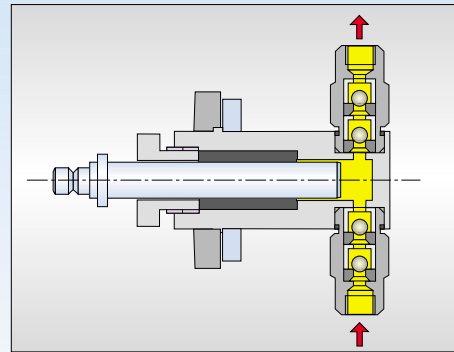
- Materials of construction for wetted parts are:

- **Construction A:** AISI 316L
- **Construction P:** PVC-Ceramic - PTFE

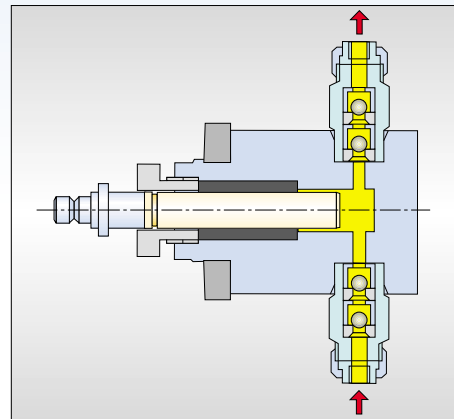
Pumps in other materials such as Hastelloy, other alloys, PVDF etc., can be supplied on demand.

- Plunger packing is of reinforced Teflon chevron rings.
- Suction and discharge connections can be threaded or flanged, up to 130 L/h. For higher flowrates, flanged only.

- **Max. temperature of handled liquid:**
  - with standard stainless steel heads: 90 °C
  - with special stainless steel heads: 160 °C
  - with stainless steel heads and ceramic plunger: 90 °C
  - with PVC head: 40 °C
  - with PVDF head: 70 °C

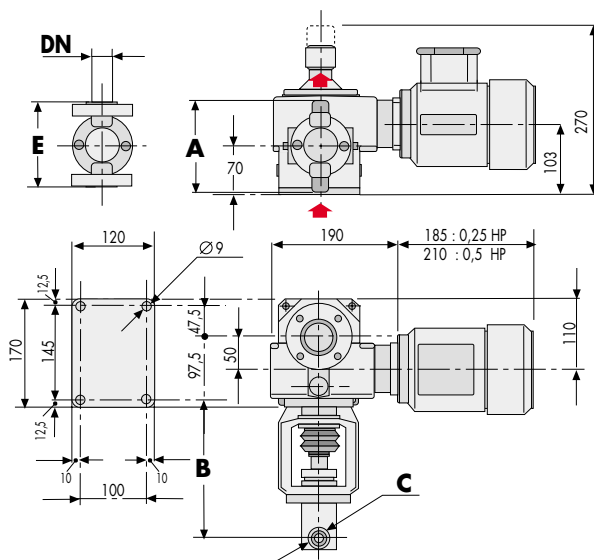


Inox steel head, "A" execution, with threaded connections.



PVC head, "P" execution, with threaded connections.

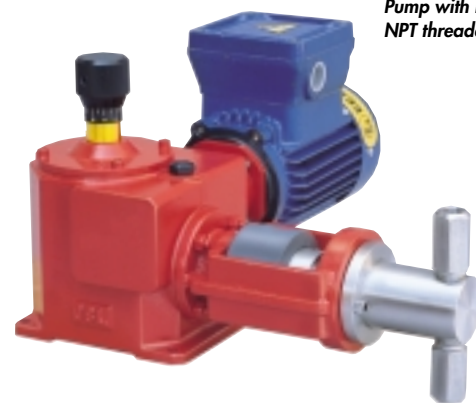
## OVERALL DIMENSIONS



## MODEL NUMBER

KEY TO SYMBOLS	
PUMP TYPE	
Ø	PLUNGER
A	AISI-316L VERSION
P	PVC VERSION
STROKES PER MINUTE	
Z...	ELECTRIC ACTUATOR 4÷20 mA
W	3÷15 PSI PNEUMATIC ACTUATOR
F	UNI-DIN FLANGED CONNECTIONS
FA	ANSI FLANGED CONNECTIONS
...	= 0 ÷ 10 BAR VERSION (NO NEED OF MODEL NO.)
TL	= 10 ÷ 40 BAR
TN	= 40 ÷ 100 BAR

LY 30 A 70 TL FA Z...



Pump with EExd motor and NPT threaded connections.

TYPE	AISI 316L					PVC					DN UN222/29		ANSI 316.5		HV AISI 316L			
	Adv	B	BTL	C	E	Edv	Adv	B	C	E	Edv	AISI PN40	PVC PN10	AISI 150RF	PVC 150RF	E	DN	ASA
LY 6-8	143	-	205		-	119	198	202		-	162	15	15	1/2"	1/2"	-	-	-
LY 10	143	-	205		-	119	198	202		-	162	15	15	1/2"	1/2"	-	-	-
LY 15	143	-	205	G.F.	-	119	216	202		-	162	15	15	1/2"	1/2"	124	15	1/2"
LY 20	143	210	225		-	119	216	200		-	162	15	15	1/2"	1/2"	124	15	1/2"
LY 25	143	210	225		-	119	216	200		-	162	15	15	1/2"	1/2"	124	15	1/2"
LY 30	159	210	225		-	119	230	200		-	176	15	15	1/2"	1/2"	156	20	3/4"
LY 40	195	210	-	1/2"	-	163	242	200	1/2"	-	204	15	15	1/2"	1/2"	156	20	3/4"
LY 50	-	210	-	-	157	213	-	205	-	224	268	20	20	3/4"	3/4"	180	25	1"
LY 65	-	210	-	-	187	256	-	205	-	224	268	20	20	3/4"	3/4"	-	-	-
LY 75	-	210	-	-	200	-	-	-	-	-	-	25	-	1"	-	-	-	-

## MATERIALS OF CONSTRUCTION

PARTS	A	P	AC	ACV	H
LIQUID END	AISI 316L	PVC	AISI 316L	AISI 316L	AISI 316L
PLUNGER	AISI 316L	CERAMIC	CERAMIC	CERAMIC	CERAMIC
PACKING	TEFLON/PTFE	TEFLON/PTFE	TEFLON/PTFE	VULKOLLAN POLYURETHAN	TEFLON/PTFE
VALVE SEAT	AISI 316L	PVC	AISI 316L	AISI 316L	INCOLOY 825
VALVE	AISI 316L	PIREX	AISI 316L	AISI 316L	CARPENTER 20
VALVE SEAL	VITON/FPM	VITON/FPM	VITON/FPM	VITON/FPM	VITON/FPM