

Electronic Metering Pumps

Configuration Data

Model **E74** **1** - **30**

Control & Output Code

Instrument Responsive/Manual Control
Explosion proof electromagnetic metering pumps. UL and CUL Listed, meets or exceeds all standards for Division 1 and 2, Class I, Groups C and D; Class II, Groups E, F, and G. Manual adjustment or switch conversion to external control for automatic systems.

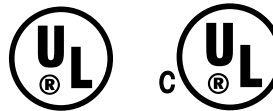
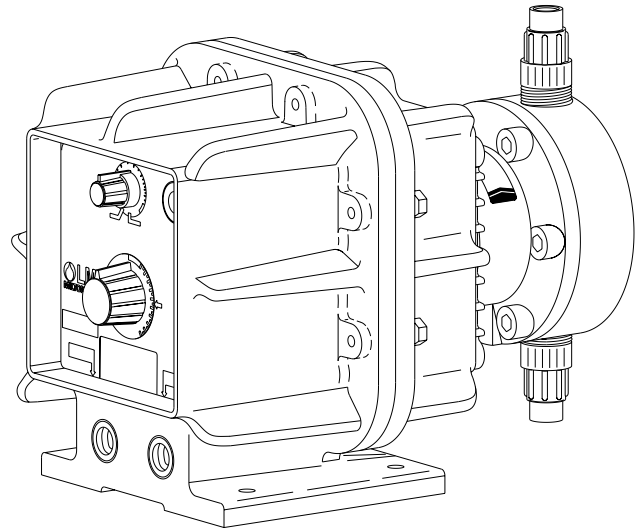
E70* --- 1.3 GPH (4.9 l/h) 300 psi (20.7 Bar)
E71* --- 2.5 GPH (9.5 l/h) 150 psi (10.3 Bar)
E72* --- 4.0 GPH (15.1 l/h) 100 psi (6.9 Bar)
E73* --- 8.0 GPH (30 l/h) 60 psi (4.1 Bar)
E74* ---20.0 GPH (76 l/h) 25 psi (1.7 Bar)

Voltage Code

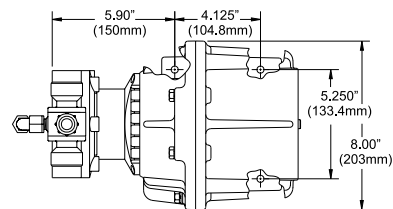
1 ----- 120 VAC Hardwired
2 ----- 240 VAC Hardwired

Liquid End

See next page for complete liquid end specifications & selection.



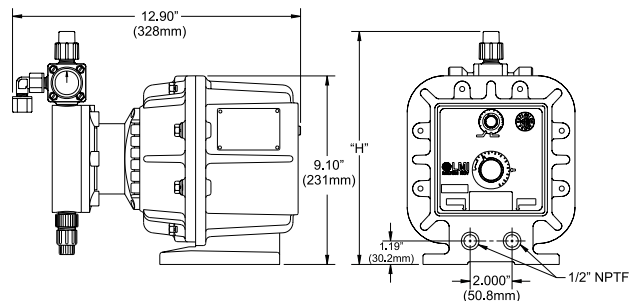
Dimensions



* Dimensions shown are maximums for largest available Liquid End. Dimensions will vary depending on Liquid End selected.

Specifications

Series	Strokes per Minute (Adjustable)		Stroke Length (Adjustable) Recommended Minimum	Average Input Power @ Max Speed	Shipping Weight
	Min	Max			
E70*					
E71*					
E72*	5	100	10%	44 watts	(41 lbs) 18.6 kg
E73*					
E74*					



8 Post Office Square
Acton, MA 01720 USA
TEL: (978) 263-9800
FAX: (978) 264-9172
<http://www.lmipumps.com>



Configuration Data and Materials of Construction

Drive Assembly	Liquid End No.	Size Code	Materials of Construction				Accessory	Tubing & Connections		
			Head & Fittings	Balls	Liquifram™	Seal Ring		Discharge	Suction	
E70 ■ -	297	0.9	316 S.S.	316 S.S.	Fluorofilm™	316 S.S.		Pipe 1/4" NPT M		
	94	0.9	PVC	Ceramic	Fluorofilm™	PTFE		Pipe 1/4" NPT M		
	94S	0.9	PVC	Ceramic	Fluorofilm™	PTFE	4FV	Pipe 1/4" NPT M		
E71 ■ -	361TI	1.8	PGC™/ PGC™	Ceramic	Fluorofilm™	PGC™/ Polyprel®	3FV	PE .375" O.D.		
	361SI	1.8	PGC™/ PGC™	Ceramic	Fluorofilm™	PGC™/ Polyprel®	4FV	PE .375" O.D.		
	362TI	1.8	PVDF / PVDF	Ceramic	Fluorofilm™	PVDF / Polyprel®	3FV	PE .375" O.D.		
	362SI	1.8	PVDF / PVDF	Ceramic	Fluorofilm™	PVDF / Polyprel®	4FV	PE .375" O.D.		
	E72 ■ -	363TI	1.8	PVDF / PVDF	Ceramic	Fluorofilm™	PVDF / PTFE	3FV	PE .375" O.D.	
		363SI	1.8	PVDF / PVDF	Ceramic	Fluorofilm™	PVDF / PTFE	4FV	PE .375" O.D.	
		360TI	1.8	Acrylic / PGC™	Ceramic	Fluorofilm™	PGC™/ Polyprel®	3FV	PE .375" O.D.	
		360SI	1.8	Acrylic / PGC™	Ceramic	Fluorofilm™	PGC™/ Polyprel®	4FV	PE .375" O.D.	
		277	1.8	316 S.S.	316 S.S.	Fluorofilm™	316 S.S.		Pipe 1/4" NPT M	
		71FS	1.8	Acrylic / PVDF	PTFE	Hypalon®	Hypalon®	4FV	PE .5" O.D. Vinyl .5" O.D.	
		72S	1.8	PVC	Ceramic	Fluorofilm™	PTFE	4FV	PE .5" O.D.	
		72T	1.8	PVC	Ceramic	Fluorofilm™	PTFE		PE .5" O.D.	
		74	1.8	PVC	Ceramic	Fluorofilm™	PTFE		Pipe 1/4" NPT M	
		74S	1.8	PVC	Ceramic	Fluorofilm™	PTFE	4FV	Pipe 1/4" NPT M	
		75HV	1.8	Polypropylene	316 S.S.	Fluorofilm™	PTFE		PE .5" O.D. Vinyl .938" O.D.	
		75S	1.8	Polypropylene	Ceramic	Fluorofilm™	PTFE	4FV	PE .5" O.D.	
		75T	1.8	Polypropylene	Ceramic	Fluorofilm™	PTFE		PE .5" O.D.	
	76HV	1.8	Acrylic / PP	316 S.S.	Fluorofilm™	Hypalon®		PE .5" O.D. Vinyl .938" O.D.		
	79	1.8	UHMW PE	Ceramic	Hypalon®	Hypalon®		PE .5" O.D. Vinyl .5" O.D.		
E73 ■ -	311TI	3.0	PGC™/ PGC™	Ceramic	Fluorofilm™	PGC™ / Polyprel®	3FV	PE .375" O.D.		
	311SI	3.0	PGC™/ PGC™	Ceramic	Fluorofilm™	PGC™ / Polyprel®	4FV	PE .375" O.D.		
	312TI	3.0	PVDF / PVDF	Ceramic	Fluorofilm™	PVDF / Polyprel®	3FV	PE .375" O.D.		
	312SI	3.0	PVDF / PVDF	Ceramic	Fluorofilm™	PVDF / Polyprel®	4FV	PE .375" O.D.		
	313TI	3.0	PVDF / PVDF	Ceramic	Fluorofilm™	PVDF / PTFE	3FV	PE .375" O.D.		
	313SI	3.0	PVDF / PVDF	Ceramic	Fluorofilm™	PVDF / PTFE	4FV	PE .375" O.D.		
	310TI	3.0	Acrylic / PGC™	Ceramic	Fluorofilm™	PGC™/ Polyprel®	3FV	PE .375" O.D.		
	310SI	3.0	Acrylic / PGC™	Ceramic	Fluorofilm™	PGC™/ Polyprel®	4FV	PE .375" O.D.		
	20HV	3.0	Acrylic / PP	316 S.S.	Fluorofilm™	Hypalon®		PE .5" O.D. Vinyl .938" O.D.		
	20	3.0	Acrylic / PVC	Ceramic	Fluorofilm™	Hypalon®		PE .5" O.D. Vinyl .5" O.D.		
	20S	3.0	Acrylic / PVC	Ceramic	Fluorofilm™	Hypalon®	4FV	PE .5" O.D. Vinyl .5" O.D.		
	24	3.0	PVC	Ceramic	Fluorofilm™	PTFE		Pipe 1/2" NPT M		
	25HV	3.0	Polypropylene	316 S.S.	Fluorofilm™	PTFE		PE .5" O.D. Vinyl .938" O.D.		
	25P	3.0	Polypropylene	Ceramic	Fluorofilm™	PTFE		Pipe 1/2" NPT M		
	25T	3.0	Polypropylene	Ceramic	Fluorofilm™	PTFE		PE .5" O.D.		
	26	3.0	PVC	Ceramic	Fluorofilm™	Viton®		PE .5" O.D.		
	26S	3.0	PVC	Ceramic	Fluorofilm™	Viton®	4FV	PE .5" O.D.		
	27	3.0	316 S.S.	316 S.S.	Fluorofilm™	PTFE		Pipe 1/2" NPT M		
	29	3.0	UHMW PE	Ceramic	Fluorofilm™	Hypalon®		PE .5" O.D.		
E74 ■ -	30	6.0	Acrylic / PVC	Ceramic	Fluorofilm™	PTFE		PE .5" O.D. Vinyl .5" O.D.		
	34	6.0	PVC	Ceramic	Fluorofilm™	PTFE		Pipe 1/2" NPT M		
	35P	6.0	Polypropylene	Ceramic	Fluorofilm™	PTFE		Pipe 1/2" NPT M		
	35T	6.0	Polypropylene	Ceramic	Fluorofilm™	PTFE		PE .5" O.D.		
	36	6.0	PVC	Ceramic	Fluorofilm™	PTFE		PE .5" O.D.		
	37	6.0	316 S.S.	316 S.S.	Fluorofilm™	PTFE		Pipe 1/2" NPT M		

■ See front page for voltage code specifications.

3FV indicates that the pump is equipped with an LMI Three Function Valve (pressure relief, priming aid, line drain).

4FV indicates that the pump is equipped with an LMI Four Function Valve. This diaphragm type anti-syphon/pressure relief valve is installed on the pump head. It provides anti-syphon protection and aids in priming, even under pressure.

Fluorofilm™ is a copolymer of PTFE and PFA. Polyprel® is an elastomeric PTFE copolymer.

Polyprel is a registered trademark of Liquid Metronics, Incorporated. Fluorofilm, Liquifram, PGC are trademarks of Liquid Metronics, Incorporated. Hypalon, Viton are registered trademarks of E. I. du Pont de Nemours & Co., Inc.

Output Information

Series	Gallons per Hour		Liters per Hour		mL/cc per Minute		mL/cc per Stroke		Maximum Injection Pressure	
	Min	Max	Min	Max	Min	Max	Min	Max		
E70*	0.007	1.3	0.025	4.9	0.41	82	0.08	0.82	300 psi	(20.7 Bar)
E71*	0.013	2.5	0.048	9.5	0.79	158	0.16	1.58	150 psi	(10.3 Bar)
E72*	0.020	4.0	0.076	15.1	1.26	252	0.25	2.52	100 psi	(6.9 Bar)
E73*	0.040	8.0	0.151	30.0	2.52	505	0.50	5.05	60 psi	(4.1 Bar)
E74*	0.100	20.0	0.380	76.0	6.33	1267	1.27	12.67	25 psi	(1.7 Bar)

* Minimum output can be reduced to zero (0) when in external mode.