
TL431/TL431A

Programmable Shunt Regulator

Features

- Programmable output voltage to 36 volts
- Low dynamic output impedance 0.20 typical
- Sink current capability of 1.0 to 100mA
- Equivalent full-range temperature coefficient of 50ppm/°C typical
- Temperature compensated for operation over full rated operating temperature range
- Low output noise voltage
- Fast turn-on response

Description

The TL431/TL431A are three-terminal adjustable regulator series with a guaranteed thermal stability over applicable temperature ranges. The output voltage may be set to any value between VREF (approximately 2.5 volts) and 36 volts with two external resistors. These devices have a typical dynamic output impedance of 0.2W. Active output circuitry provides a very sharp turn-on characteristic, making these devices excellent replacement for zener diodes in many applications.

TO-92



1. Ref 2. Arode 3. Cathode

8-DIP



1

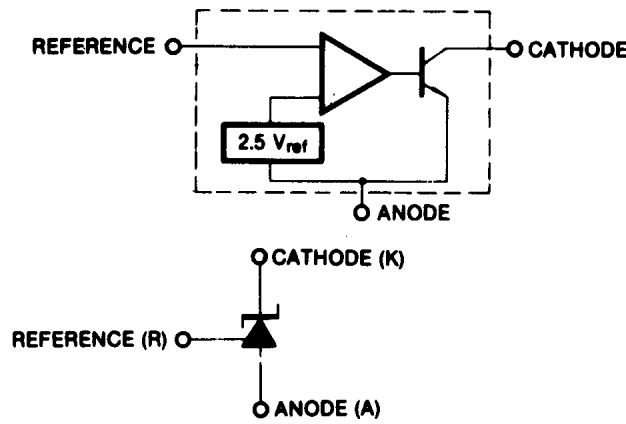
8-SOP



1

1. Cathode 2. 3. 6. 7. Arode
8. Ref 4. 5. NC

Internal Block Diagram



Absolute Maximum Ratings

(Operating temperature range applies unless otherwise specified.)

| Parameter | Symbol | Value | Unit |
|--|-----------|--------------|----------|
| Cathode Voltage | V_{KA} | 37 | V |
| Cathode current Range (Continuous) | I_{KA} | -100 ~ + 150 | mA |
| Reference Input Current Range | I_{REF} | 0.05 ~ + 10 | mA |
| Power Dissipation D, Z Suffix Package N Suffix Package | PD | 770 1000 | mW mW |
| Operating Temperature Range | T_{OPR} | -25 ~ + 85 | °C |
| Storage Temperature Range | T_{STG} | -65 ~ + 150 | °C |

Recommended Operating Conditions

| Parameter | Symbol | Min | Typ | Max | Unit |
|-----------------|----------|-----------|-----|-----|------|
| Cathode Voltage | V_{KA} | V_{REF} | - | 36 | V |
| Cathode Current | I_{KA} | 1.0 | - | 100 | mA |

Electrical Characteristics

($T_A = +25^\circ\text{C}$, unless otherwise specified)

| Parameter | Symbol | Conditions | TL431 | | | TL431A | | | Unit |
|---|--------------------------------|---|-------|-------|-------|--------|-------|-------|---------------|
| | | | Min. | Typ. | Max. | Min. | Typ. | Max. | |
| Reference Input Voltage | V_{REF} | $V_{KA}=V_{REF}$, $I_{KA}=10\text{mA}$ | 2.440 | 2.495 | 2.550 | 2.470 | 2.495 | 2.520 | V |
| Deviation of Reference Input Voltage Over-Temperature (Note 1) | $\Delta V_{REF}/\Delta T$ | $V_{KA}=V_{REF}$, $I_{KA}=10\text{mA}$ $T_{MIN}\leq T_A\leq T_{MAX}$ | - | 4.5 | 17 | - | 4.5 | 17 | mV |
| Ratio of Change in Reference Input Voltage to the Change in Cathode Voltage | $\Delta V_{REF}/\Delta V_{KA}$ | $I_{KA}=10\text{mA}$ $\Delta V_{KA}=10\text{V}-V_{REF}$ $\Delta V_{KA}=36\text{V}-10\text{V}$ | - | -10 | -2.7 | - | -1.0 | -2.7 | mV/V |
| Reference Input Current | I_{REF} | $I_{KA}=10\text{mA}$, $R_1=10\text{K}\Omega$, $R_2=\infty$ | - | 1.5 | 4 | - | 1.5 | 4 | μA |
| Deviation of Reference Input Current Over Full Temperature Range | $\Delta I_{REF}/\Delta T$ | $I_{KA}=10\text{mA}$, $R_1=10\text{K}\Omega$, $R_2=\infty$ $T_A=\text{Full Range}$ | - | 0.4 | 1.2 | - | 0.4 | 1.2 | μA |
| Minimum Cathode Current for Regulation | $I_{KA(MIN)}$ | $V_{KA}=V_{REF}$ | - | 0.45 | 1.0 | - | 0.45 | 1.0 | mA |
| Off - Stage Cathode Current | $I_{KA(OFF)}$ | $V_{KA}=36\text{V}$, $V_{REF}=0$ | - | 0.05 | 1.0 | - | 0.05 | 1.0 | μA |
| Dynamic Impedance (Note 2) | Z_{KA} | $V_{KA}=V_{REF}$, $I_{KA}=1$ to 100mA $f\geq 1.0\text{KHz}$ | - | 0.15 | 0.5 | - | 0.15 | 0.5 | Ω |

- $T_{MIN} = -25^\circ\text{C}$, $T_{MAX} = +85^\circ\text{C}$

Test Circuits

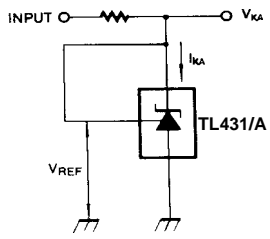


Figure 1. Test Circuit for $V_{KA}=V_{REF}$

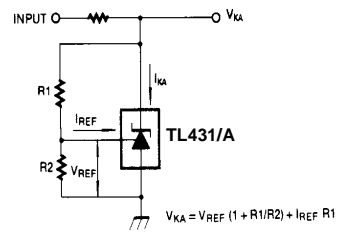


Figure 2. Test Circuit for $V_{KA} \geq V_{REF}$

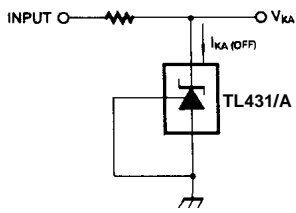


Figure 3. Test Circuit for $I_{KA(OFF)}$

Typical Performance Characteristics

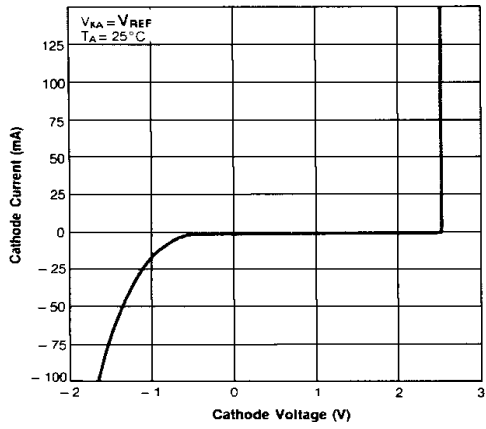


Figure 1. Cathode Current vs. Cathode Voltage

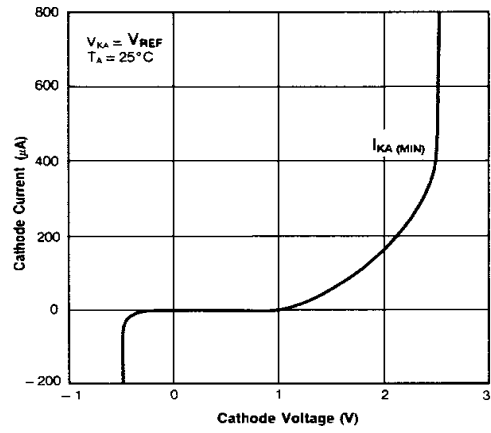


Figure 2. Cathode Current vs. Cathode Voltage

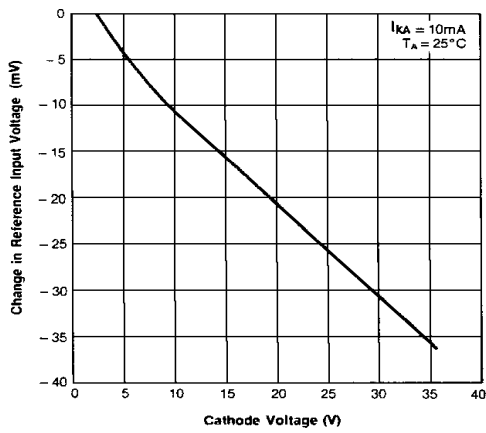


Figure 3. Change In Reference Input Voltage vs. Cathode Voltage

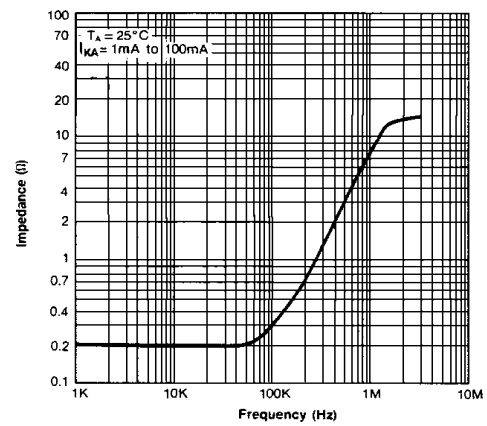


Figure 4. Dynamic Impedance Frequency

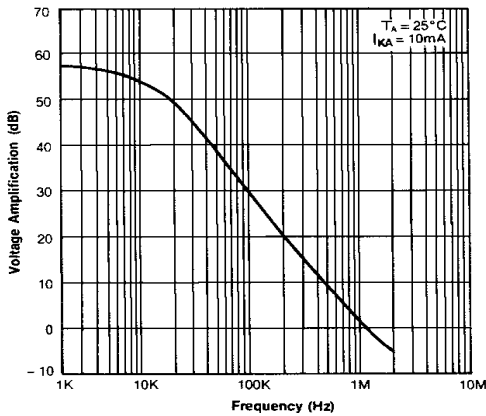


Figure 5. Small Signal Voltage Amplification vs. Frequency

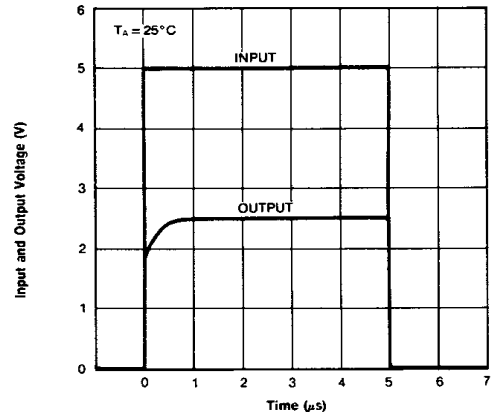


Figure 6. Pulse Response

Typical Application

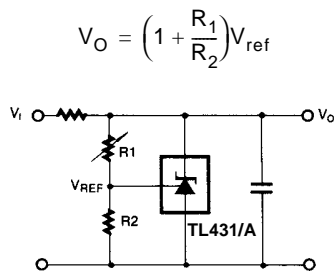


Figure 10. Shunt Regulator

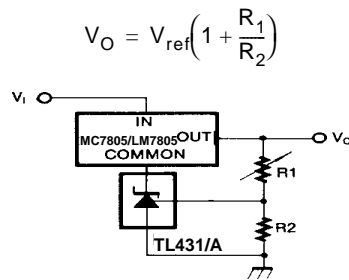


Figure 11. Output Control for Three-Terminal Fixed Regulator

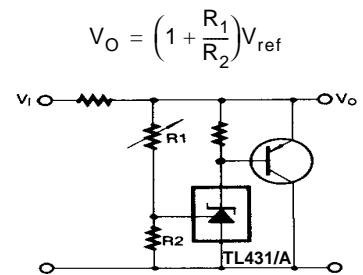


Figure 12. High Current Shunt Regulator

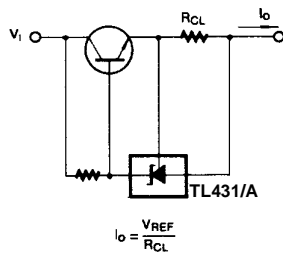


Figure 13. Current Limit or Current Source

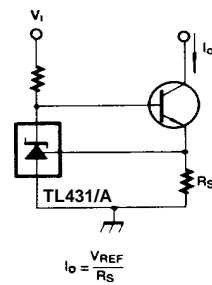
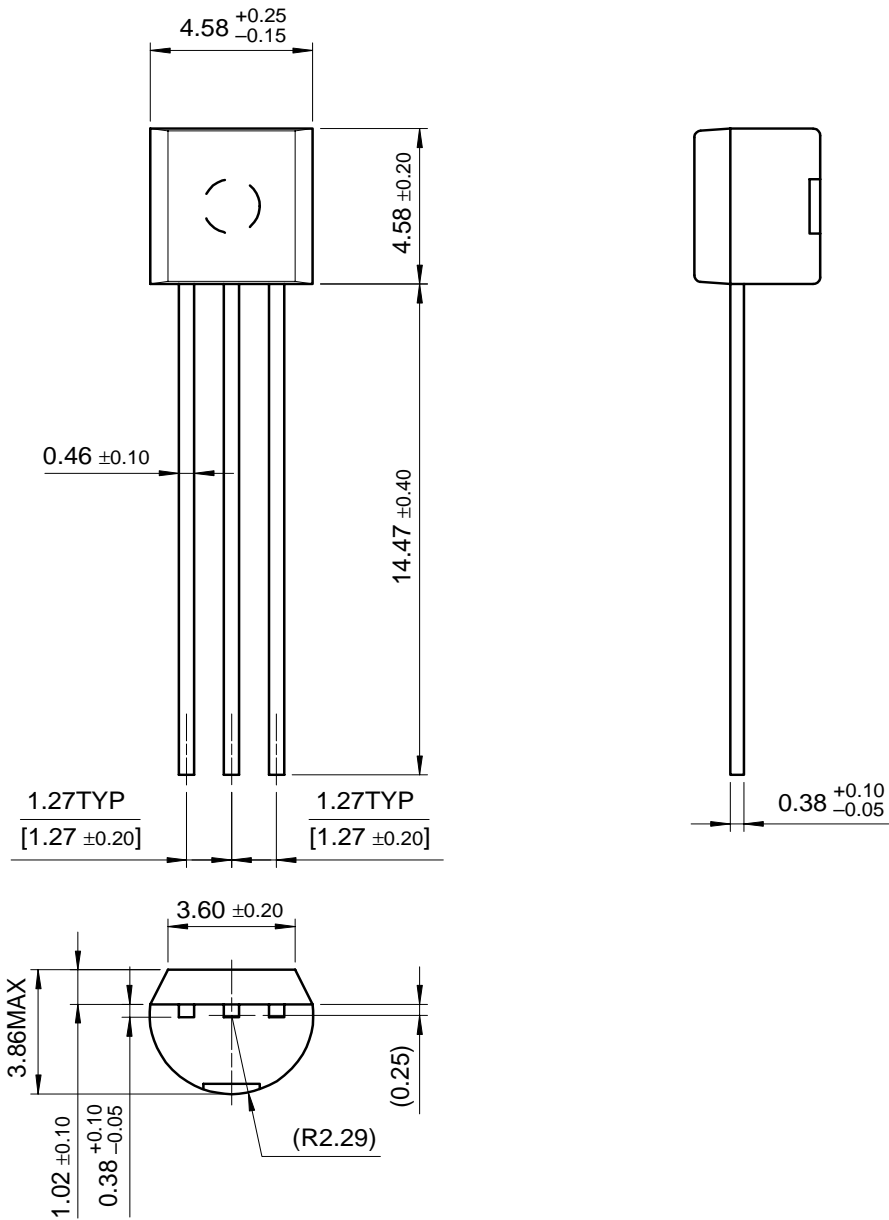


Figure 14. Constant-Current Sink

Mechanical Dimensions

Package

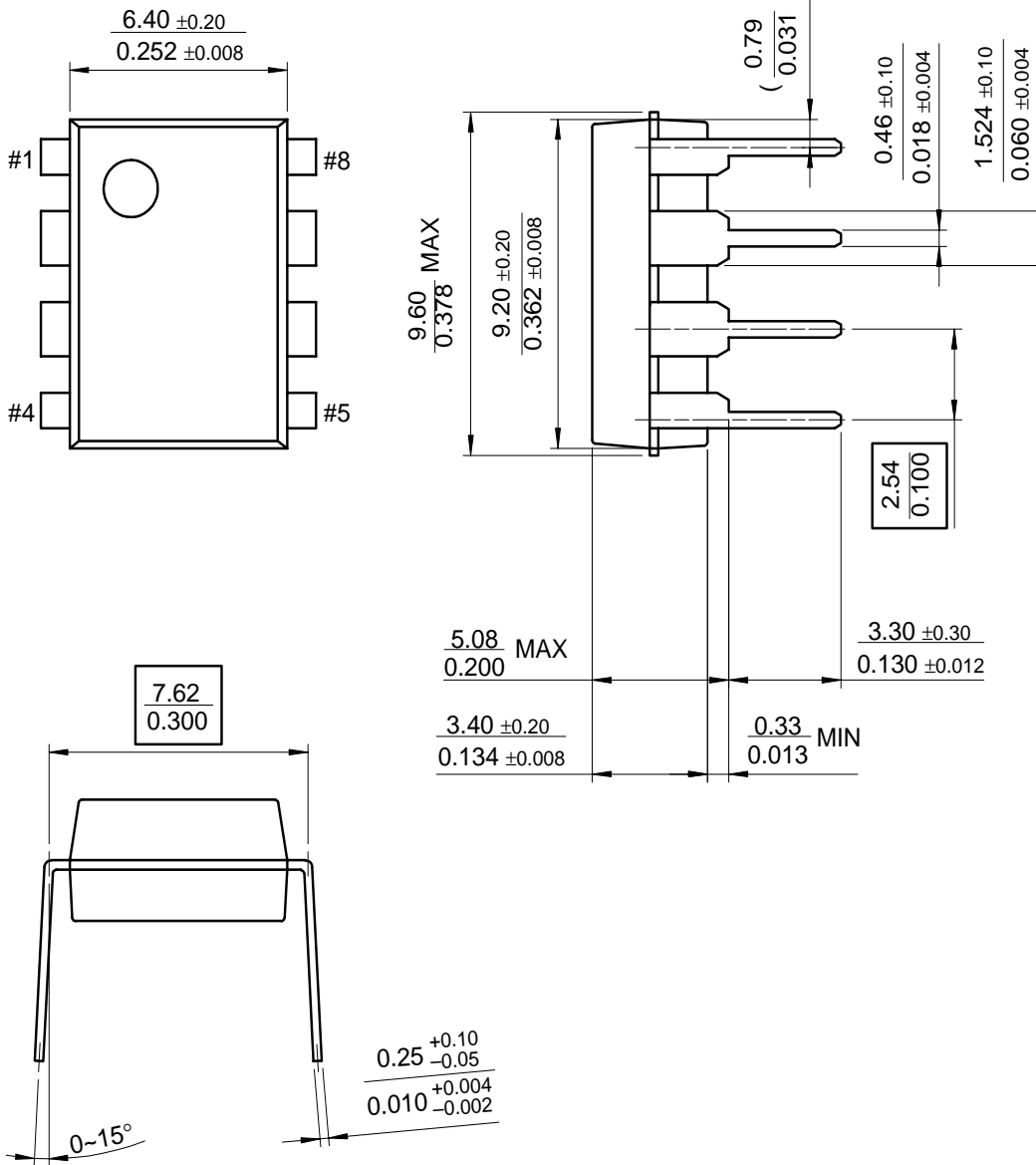
TO-92



Mechanical Dimensions (Continued)

Package

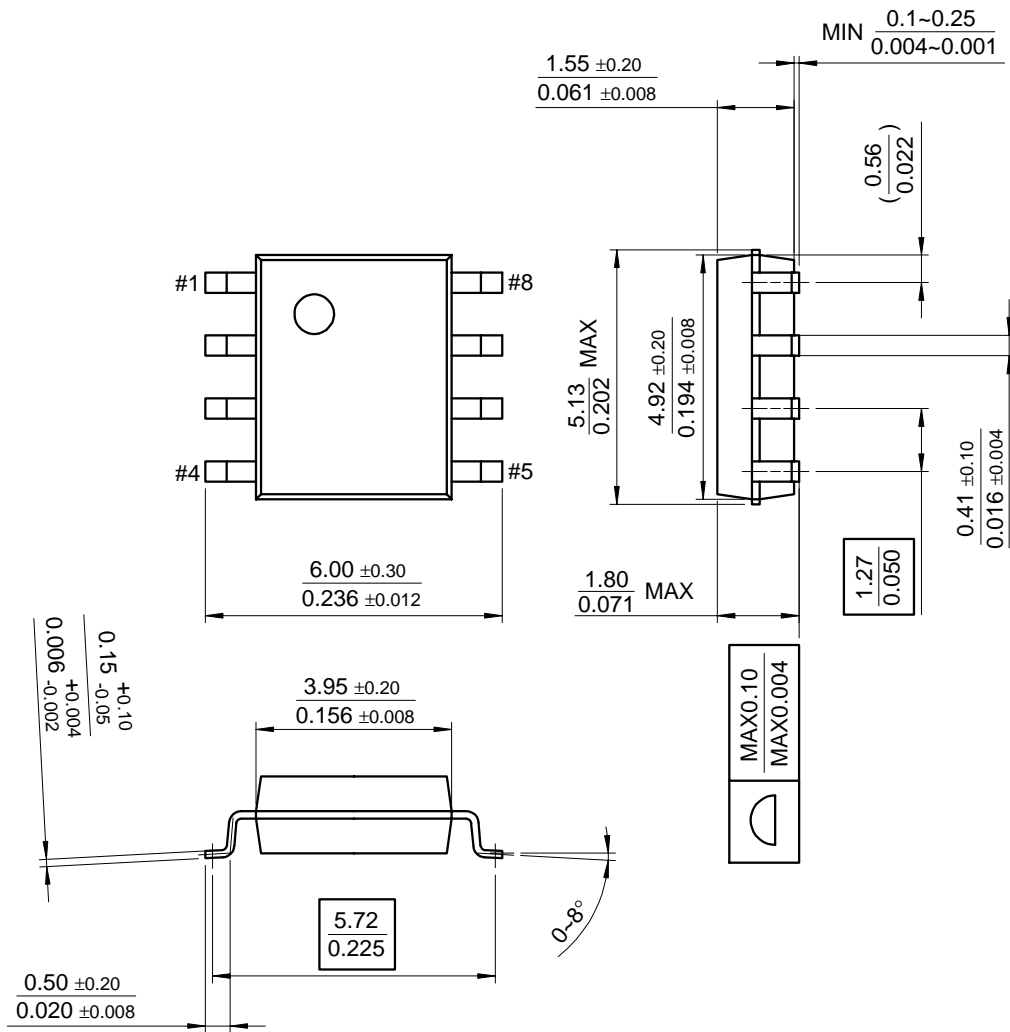
8-DIP



Mechanical Dimensions (Continued)

Package

8-SOP



Ordering Information

| Product Number | Output Voltage Tolerance | Package | Operating Temperature |
|----------------|--------------------------|---------|-----------------------|
| TL431ACLP | 1% | TO-92 | -25 ~ + 85 °C |
| TL431ACD | | 8-SOP | |
| TL431CLP | 2% | TO-92 | |
| TL431CP | | 8-DIP | |
| TL431CD | | 8-SOP | |